

WIRING DIAGRAMS

CONTENTS

	page		page
AIR CONDITIONING-HEATER	8W-42-1	HORN/CIGAR LIGHTER/POWER OUTLET .	8W-41-1
AIRBAG SYSTEM	8W-43-1	INSTRUMENT CLUSTER	8W-40-1
ANTI-LOCK BRAKES	8W-35-1	INTERIOR LIGHTING	8W-44-1
AUDIO SYSTEM	8W-47-1	POWER DISTRIBUTION	8W-10-1
CHARGING SYSTEM	8W-20-1	REAR LIGHTING	8W-51-1
COMPONENT INDEX	8W-02-1	REAR WINDOW DEFOGGER	8W-48-1
CONNECTOR PIN-OUTS	8W-80-1	SPLICE INFORMATION	8W-70-1
CONNECTOR/GROUND LOCATIONS	8W-90-1	SPLICE LOCATIONS	8W-95-1
FRONT LIGHTING	8W-50-1	STARTING SYSTEM	8W-21-1
FUEL/IGNITION SYSTEMS	8W-30-1	TRANSMISSION CONTROL SYSTEM	8W-31-1
FUSE/FUSE BLOCK	8W-11-1	TURN SIGNALS	8W-52-1
GENERAL INFORMATION	8W-01-1	WIPERS	8W-53-1
GROUND DISTRIBUTION	8W-15-1		

8W-01 GENERAL INFORMATION

INDEX

	page		page
DESCRIPTION AND OPERATION		TROUBLESHOOTING TESTS	9
CIRCUIT FUNCTIONS	4	TROUBLESHOOTING TOOLS	8
CIRCUIT INFORMATION	4	TROUBLESHOOTING WIRING PROBLEMS	10
CONNECTOR INFORMATION	7	SERVICE PROCEDURES	
ELECTROSTATIC DISCHARGE (ESD)		CONNECTOR AND TERMINAL REPLACEMENT	12
SENSITIVE DEVICES	8	CONNECTOR REPLACEMENT	11
INTRODUCTION	1	DIODE REPLACEMENT	14
NOTES, CAUTIONS, and WARNINGS	7	TERMINAL REPLACEMENT	13
SECTION IDENTIFICATION	5	TERMINAL/CONNECTOR REPAIR-MOLEX	
SPLICE LOCATIONS	7	CONNECTORS	10
SYMBOLS	5	TERMINAL/CONNECTOR REPAIR—THOMAS	
TAKE OUTS	8	AND BETTS CONNECTORS	11
TERMINOLOGY	7	WIRING REPAIR	10
DIAGNOSIS AND TESTING		SPECIAL TOOLS	
INTERMITTENT AND POOR CONNECTIONS	9	WIRING/TERMINAL	15

DESCRIPTION AND OPERATION

INTRODUCTION

Chrysler wiring diagrams are designed to provide information regarding the vehicles wiring content. In order to effectively use Chrysler wiring diagrams to diagnose and repair a Chrysler vehicle, it is important to understand all of their features and characteristics.

Diagrams are arranged such that the power (B+) side of the circuit is placed near the top of the page, and the ground (B-) side of the circuit is placed near the bottom of the page.

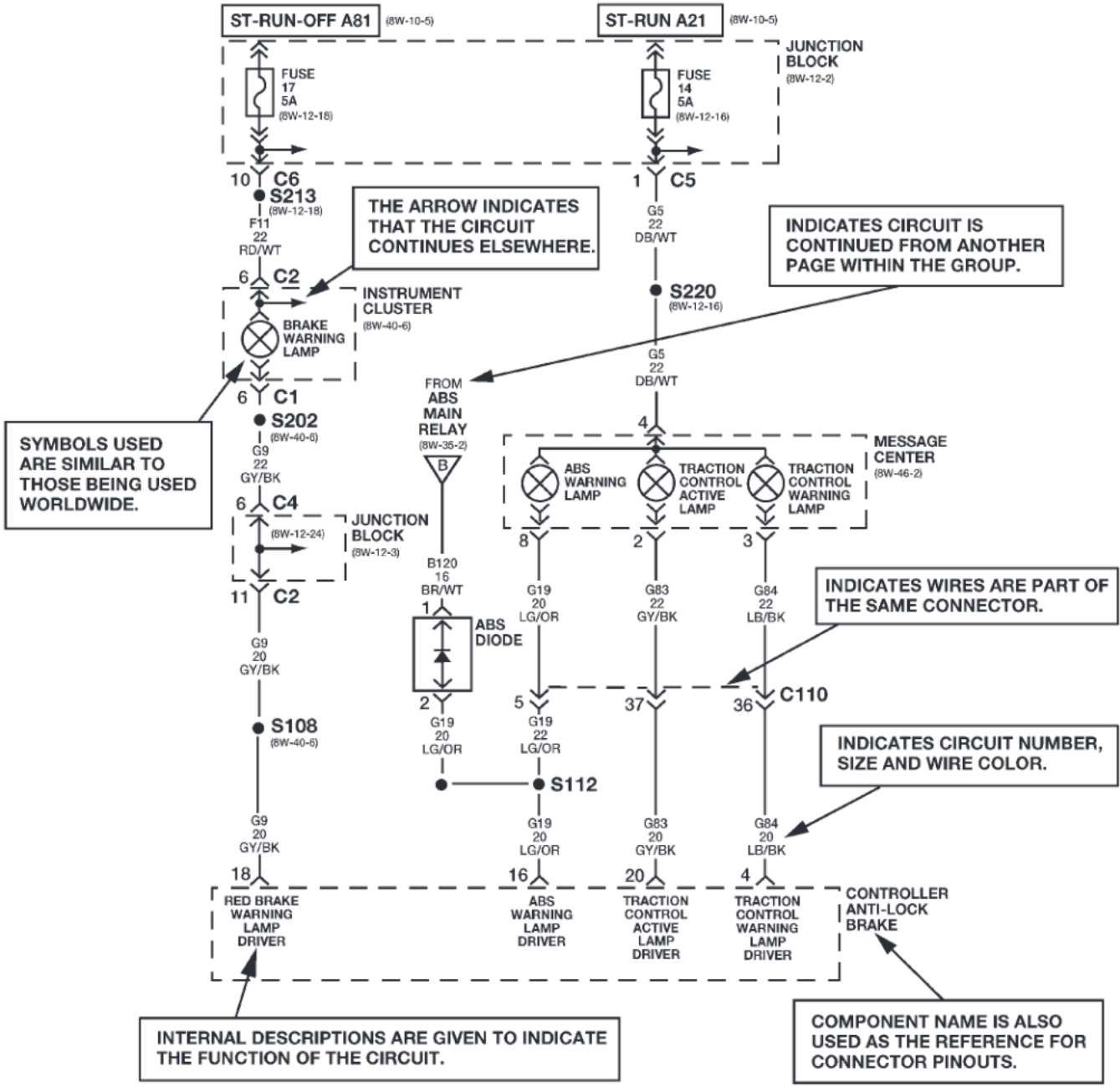
All switches, components, and modules are shown in the at rest position with the doors closed and the key removed from the ignition.

Components are shown two ways. A solid line around a component indicates that the component is complete. A dashed line around a component indicates that the component being shown is not complete. Incomplete components have a reference number to indicate the page where the component is shown complete.

It is important to realize that no attempt is made on the diagrams to represent components and wiring as they appear on the vehicle. For example, a short piece of wire is treated the same as a long one. In addition, switches and other components are shown as simply as possible, with regard to function only.

DESCRIPTION AND OPERATION (Continued)

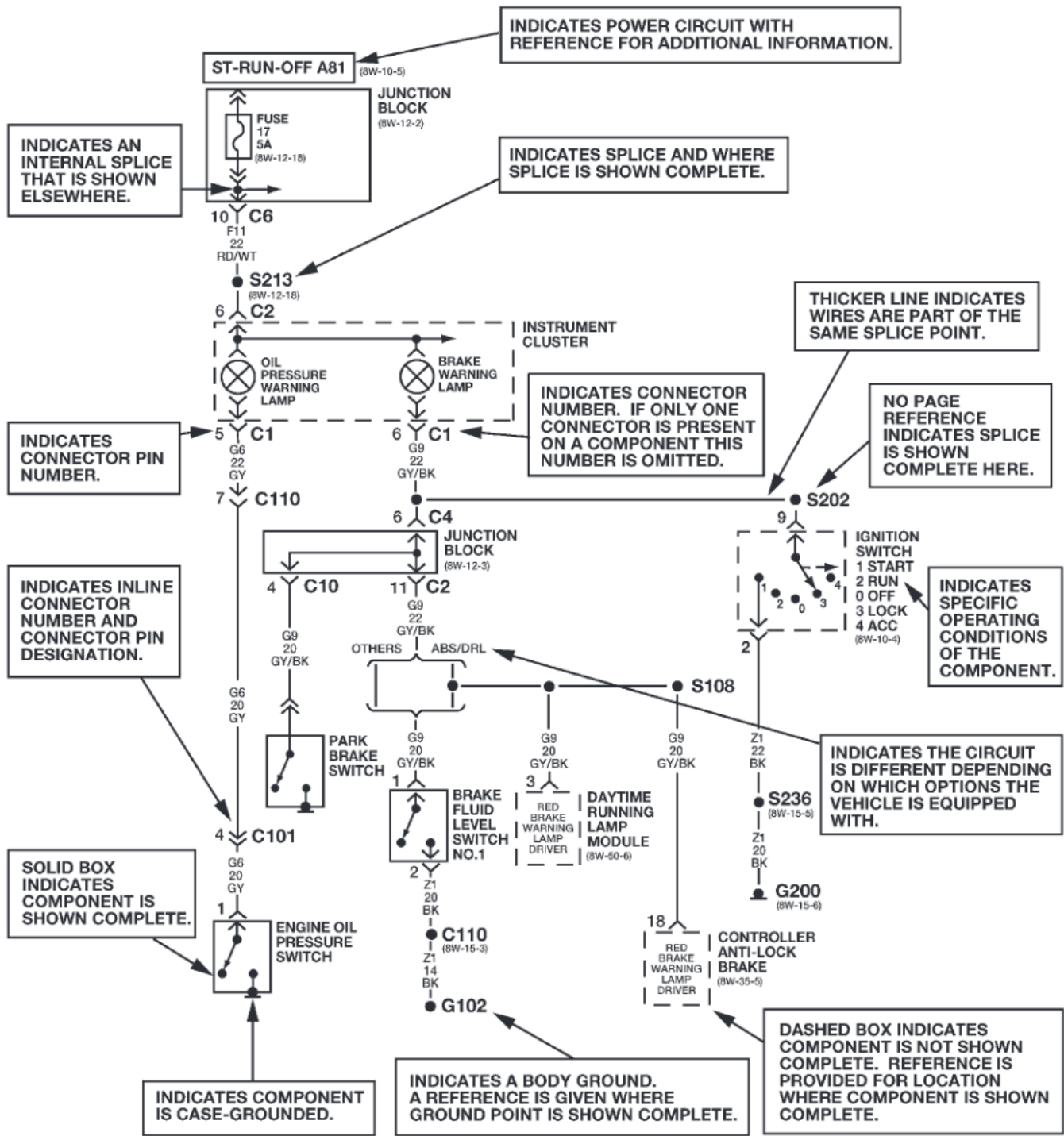
DIAGRAMS ARE ARRANGED WITH THE POWER B+ SIDE OF THE CIRCUIT NEAR THE TOP OF THE PAGE, AND THE GROUND SIDE OF THE CIRCUIT NEAR THE BOTTOM OF THE PAGE.



80b3b272

The System shown here is an EXAMPLE ONLY. It does not represent the actual circuit shown in the WIRING DIAGRAM SECTION.

DESCRIPTION AND OPERATION (Continued)



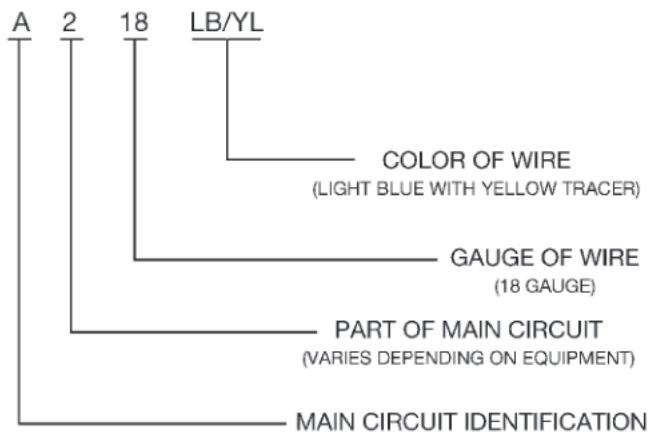
80b3b273

The System shown here is an EXAMPLE ONLY. It does not represent the actual circuit shown in the WIRING DIAGRAM SECTION.

DESCRIPTION AND OPERATION (Continued)

CIRCUIT INFORMATION

Each wire shown in the diagrams contains a code which identifies the main circuit, part of the main circuit, gage of wire, and color (Fig. 1).



80aff571

Fig. 1 Wire Code Identification
WIRE COLOR CODE CHART

COLOR CODE	COLOR	STANDARD TRACER COLOR
BL	BLUE	WT
BK	BLACK	WT
BR	BROWN	WT
DB	DARK BLUE	WT
DG	DARK GREEN	WT
GY	GRAY	BK
LB	LIGHT BLUE	BK
LG	LIGHT GREEN	BK
OR	ORANGE	BK
PK	PINK	BK or WT
RD	RED	WT
TN	TAN	WT
VT	VIOLET	WT
WT	WHITE	BK
YL	YELLOW	BK
*	WITH TRACER	

CIRCUIT FUNCTIONS

All circuits in the diagrams use an alpha/numeric code to identify the wire and its function. To identify which circuit code applies to a system, refer to the Circuit Identification Code Chart. This chart shows the main circuits only and does not show the secondary codes that may apply to some models.

CIRCUIT IDENTIFICATION CODE CHART

CIRCUIT	FUNCTION
A	BATTERY FEED
B	BRAKE CONTROLS
C	CLIMATE CONTROLS
D	DIAGNOSTIC CIRCUITS
E	DIMMING ILLUMINATION CIRCUITS
F	FUSED CIRCUITS
G	MONITORING CIRCUITS (GAUGES)
H	OPEN
I	NOT USED
J	OPEN
K	POWERTRAIN CONTROL MODULE
L	EXTERIOR LIGHTING
M	INTERIOR LIGHTING
N	NOT USED
O	NOT USED
P	POWER OPTION (BATTERY FEED)
Q	POWER OPTIONS (IGNITION FEED)
R	PASSIVE RESTRAINT
S	SUSPENSION/STEERING
T	TRANSMISSION/TRANSAXLE/ TRANSFER CASE
U	OPEN
V	SPEED CONTROL, WIPER/WASHER
W	OPEN
X	AUDIO SYSTEMS
Y	OPEN
Z	GROUNDS

DESCRIPTION AND OPERATION (Continued)**SECTION IDENTIFICATION**




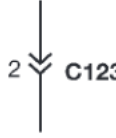
























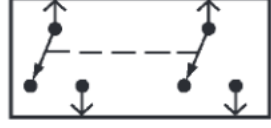











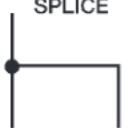










The wiring diagrams are grouped into individual sections. If a component is most likely found in a particular group, it will be shown complete (all wires, connectors, and pins) within that group. For example, the Auto Shutdown Relay is most likely to be found in Group 30, so it is shown there complete. It can, however, be shown partially in another group if it contains some associated wiring.

SYMBOLS

International symbols are used throughout the wiring diagrams. These symbols are consistent with those being used around the world

GROUP	TOPIC
8W-01 thru 8W-09	General Information and Diagram Overview
8W-10 thru 8W-19	Main Sources of Power and Vehicle Grounding
8W-20 thru 8W-29	Starting and Charging
8W-30 thru 8W-39	Powertrain/Drivetrain Systems
8W-40 thru 8W-49	Body Electrical items and A/C
8W-50 thru 8W-59	Exterior Lighting, Wipers, and Trailer Tow
8W-60 thru 8W-69	Power Accessories
8W-70	Splice Information
8W-80	Connector Pin Outs
8W-90	Connector Locations (including grounds)
8W-95	Splice Locations

DESCRIPTION AND OPERATION (Continued)

 BATTERY  GENERATOR STATOR COILS	 IN-LINE CONNECTORS 
 FUSIBLE LINK  FUSE  CIRCUIT BREAKER	 MULTIPLE CONNECTOR  MALE CONNECTOR  FEMALE CONNECTOR
 BATT A0  CHOICE BRACKET  (8W-30-10) PAGE REFERENCE	 SINGLE FILAMENT LAMP  DUAL FILAMENT LAMP  ANTENNA
 CLOCKSPRING  GROUND G101  SCREW TERMINAL	 NPN TRANSISTOR  PNP TRANSISTOR  TONE GENERATOR
 OPEN SWITCH  CLOSED SWITCH	 LED  PHOTODIODE  DIODE  ZENER DIODE
 GANGED SWITCH  SLIDING DOOR CONTACT	 OXYGEN SENSOR  GAUGE  PIEZOELECTRIC CELL
 WIRE ORIGIN & DESTINATION SHOWN WITHIN CELL  WIRE DESTINATION SHOWN IN ANOTHER CELL	 RESISTOR  POTENTIOMETER  VARIABLE RESISTOR  HEATER ELEMENT
 EXTERNAL SPLICE S350  INTERNAL SPLICE  INCOMPLETE SPLICE (INTERNAL)	 NON-POLARIZED CAPACITOR  POLARIZED CAPACITOR  VARIABLE CAPACITOR
 ONE SPEED MOTOR  TWO SPEED MOTOR  REVERSIBLE MOTOR	 COIL  SOLENOID  SOLENOID VALVE

Wiring Diagram Symbols

DESCRIPTION AND OPERATION (Continued)

TERMINOLOGY

This a list of terms with there definitions used in the wiring diagrams.

- Built-Up-Export Vehicles Built For Sale In Markets Other Than North America
- Except-Built-Up-Export Vehicles Built For Sale In North America
- LHD Left Hand Drive Vehicles
- RHD Right Hand Drive Vehicles
- ATX Automatic Transmission-Front Wheel Drive
- MTX Manual Transmission-Front Wheel Drive
- AT Automatic Transmission-Rear Wheel Drive
- MT Manual Transmission-Rear Wheel Drive
- SOHC Single Over Head Cam Engine
- DOHC Dual Over Head Cam Engine

CONNECTOR INFORMATION

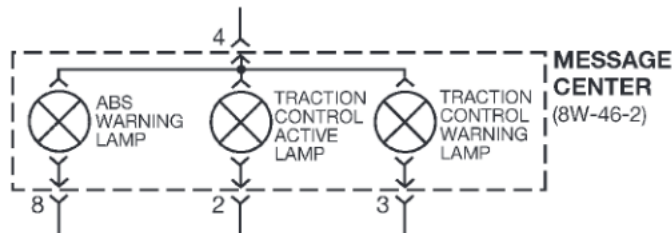
CAUTION: Not all connectors are serviced. Some connectors are serviced only with a harness. A typical example might be the Supplemental Restraint System connectors. Always check parts availability before attempting a repair.

IDENTIFICATION

In-line connectors are identified by a number, as follows:

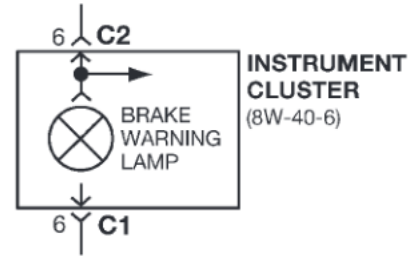
- In-line connectors located on the **engine compartment harness** are C100 series numbers.
- Connectors located on the **instrument panel harness** are C200 series numbers.
- Connectors located on the **body harness** are C300 series numbers.
- **Jumper harness connectors** are C400 series numbers.
- **Grounds and ground connectors** are identified with a "G" and follow the same series numbering as the in-line connector.

Component connectors are identified by the component name instead of a number (Fig. 2). Multiple connectors on a component use a C1, C2, etc. identifier (Fig. 3).



80aff5a3

Fig. 2 Component Identification



80aff5a4

Fig. 3 Connector Identification

LOCATIONS

Section 8W-90 contains connector/ground location illustrations. The illustrations contain the connector name (or number)/ground number and component identification. Connector/ground location charts in Section 8W-90 reference the illustration number for components and connectors.

Section 8W-80 shows each connector and the circuits involved with that connector. The connectors are identified using the name/number on the Diagram pages.

SPLICE LOCATIONS

Splice Location charts in Section 8W-70 show the entire splice, and provide references to other sections the splice serves.

Section 8W-95 contains illustrations that show the general location of the splices in each harness. The illustrations show the splice by number, and provide a written location.

NOTES, CAUTIONS, and WARNINGS

Throughout this group additional important information is presented in three ways; Notes, Cautions, and Warnings.

NOTES are used to help describe how switches or components operate to complete a particular circuit. They are also used to indicate different conditions that may appear on the vehicle. For example, an up-to and after condition.

CAUTIONS are used to indicate information that could prevent making an error that may damage the vehicle.

WARNINGS provide information to prevent personal injury and vehicle damage. Below is a list of general warnings that should be followed any time a vehicle is being serviced.

WARNING: ALWAYS WEAR SAFETY GLASSES FOR EYE PROTECTION.

WARNING: USE SAFETY STANDS ANYTIME A PROCEDURE REQUIRES BEING UNDER A VEHICLE.

DESCRIPTION AND OPERATION (Continued)

WARNING: BE SURE THAT THE IGNITION SWITCH ALWAYS IS IN THE OFF POSITION, UNLESS THE PROCEDURE REQUIRES IT TO BE ON.

WARNING: SET THE PARKING BRAKE WHEN WORKING ON ANY VEHICLE. AN AUTOMATIC TRANSMISSION SHOULD BE IN PARK. A MANUAL TRANSMISSION SHOULD BE IN NEUTRAL.

WARNING: OPERATE THE ENGINE ONLY IN A WELL-VENTILATED AREA.

WARNING: KEEP AWAY FROM MOVING PARTS WHEN THE ENGINE IS RUNNING, ESPECIALLY THE FAN AND BELTS.

WARNING: TO PREVENT SERIOUS BURNS, AVOID CONTACT WITH HOT PARTS SUCH AS THE RADIATOR, EXHAUST MANIFOLD(S), TAIL PIPE, CATALYTIC CONVERTER, AND MUFFLER.

WARNING: DO NOT ALLOW FLAME OR SPARKS NEAR THE BATTERY. GASES ARE ALWAYS PRESENT IN AND AROUND THE BATTERY.

WARNING: ALWAYS REMOVE RINGS, WATCHES, LOOSE HANGING JEWELRY, AND LOOSE CLOTHING.

TAKE OUTS

The abbreviation T/O is used in the component location section to indicate a point in which the wiring harness branches out to a component.

ELECTROSTATIC DISCHARGE (ESD) SENSITIVE DEVICES

All ESD sensitive components are solid state and a symbol (Fig. 4) is used to indicate this. When handling any component with this symbol comply with the following procedures to reduce the possibility of electrostatic charge build up on the body and inadvertent discharge into the component. If it is not known whether the part is ESD sensitive, assume that it is.

(1) Always touch a known good ground before handling the part. This should be repeated while handling the part and more frequently after sliding across a seat, sitting down from a standing position, or walking a distance.

(2) Avoid touching electrical terminals of the part, unless instructed to do so by a written procedure.

(3) When using a voltmeter, be sure to connect the ground lead first.

(4) Do not remove the part from its protective packing until it is time to install the part.

(5) Before removing the part from its package, ground the package to a known good ground on the vehicle.



948W-193

Fig. 4 Electrostatic Discharge Symbol

DIAGNOSIS AND TESTING**TROUBLESHOOTING TOOLS**

When diagnosing a problem in an electrical circuit there are several common tools necessary. These tools are listed and explained below.

- Jumper Wire - This is a test wire used to connect two points of a circuit. It can be used to bypass an open in a circuit.

WARNING: NEVER USE A JUMPER WIRE ACROSS A LOAD, SUCH AS A MOTOR, CONNECTED BETWEEN A BATTERY FEED AND GROUND.

- Voltmeter - Used to check for voltage on a circuit. Always connect the black lead to a known good ground and the red lead to the positive side of the circuit.

CAUTION: Most of the electrical components used in today's vehicle are solid state. When checking voltages in these circuits use a meter with a 10-megohm or greater impedance rating.

- Ohmmeter - Used to check the resistance between two points of a circuit. Low or no resistance in a circuit means good continuity.

CAUTION: - Most of the electrical components used in today's vehicle are Solid State. When checking resistance in these circuits use a meter with a 10-megohm or greater impedance rating. In addition, make sure the power is disconnected from the circuit. Circuits that are powered up by the vehicle electrical system can cause damage to the equipment and provide false readings.

DIAGNOSIS AND TESTING (Continued)

• Probing Tools - These tools are used for probing terminals in connectors (Fig. 5). Select the proper size tool from Special Tool Package 6807, and insert it into the terminal being tested. Use the other end of the tool to insert the meter probe.

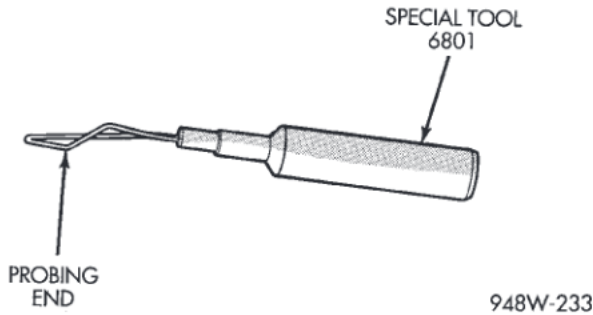


Fig. 5 Probing Tool

INTERMITTENT AND POOR CONNECTIONS

Most intermittent electrical problems are caused by faulty electrical connections or wiring. It is also possible for a sticking component or relay to cause a problem. Before condemning a component or wiring assembly check the following items.

- Connectors are fully seated
- Spread terminals, or terminal push out
- Terminals in the wiring assembly are fully seated into the connector/component and locked in position
- Dirt or corrosion on the terminals. Any amount of corrosion or dirt could cause an intermittent problem
- Damaged connector/component casing exposing the item to dirt and moisture
- Wire insulation that has rubbed through causing a short to ground
- Some or all of the wiring strands broken inside of the insulation covering.
- Wiring broken inside of the insulation

TROUBLESHOOTING TESTS

Before beginning any tests on a vehicles electrical system use the Wiring Diagrams and study the circuit. Also refer to the Troubleshooting Wiring Problems in this section.

TESTING FOR VOLTAGE POTENTIAL

- (1) Connect the ground lead of a voltmeter to a known good ground (Fig. 6).
- (2) Connect the other lead of the voltmeter to the selected test point. The vehicle ignition may need to be turned ON to check voltage. Refer to the appropriate test procedure.

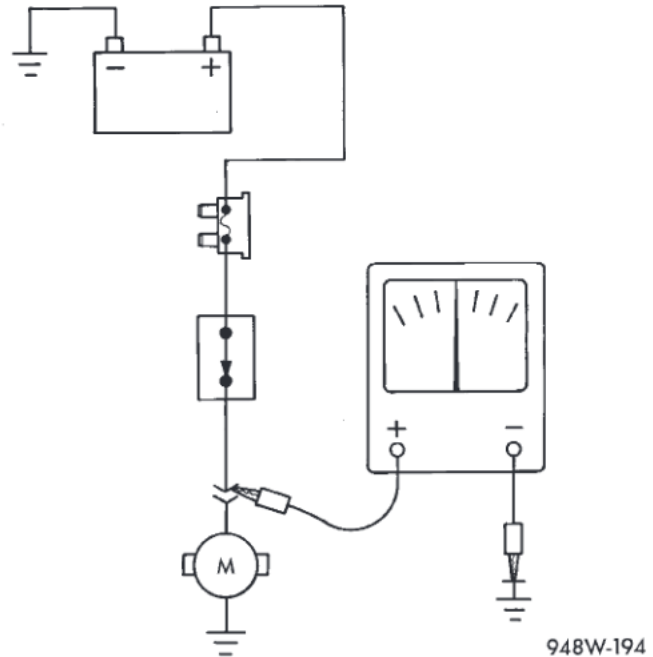


Fig. 6 Testing for Voltage Potential

TESTING FOR CONTINUITY

- (1) Remove the fuse for the circuit being checked or, disconnect the battery.
- (2) Connect one lead of the ohmmeter to one side of the circuit being tested (Fig. 7).
- (3) Connect the other lead to the other end of the circuit being tested. Low or no resistance means good continuity.

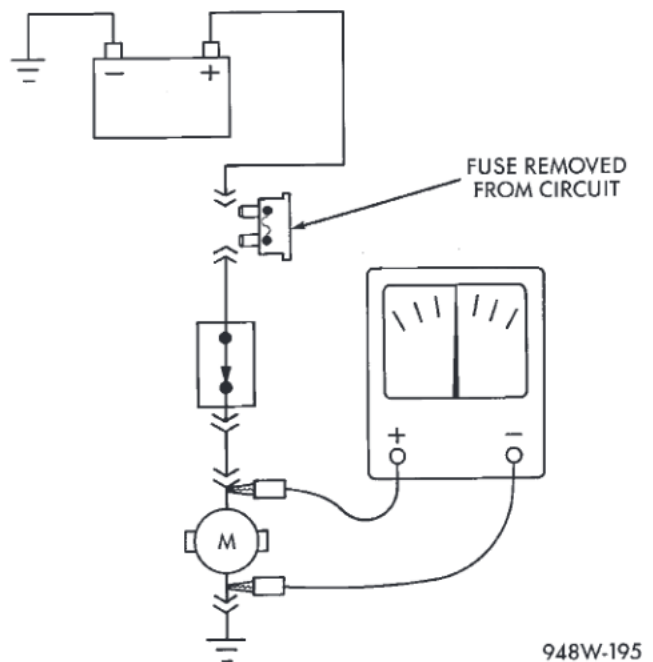


Fig. 7 Testing for Continuity

DIAGNOSIS AND TESTING (Continued)

TESTING FOR A SHORT TO GROUND

(1) Remove the fuse and disconnect all items involved with the fuse.

(2) Connect a test light or a voltmeter across the terminals of the fuse.

(3) Starting at the fuse block, wiggle the wiring harness about six to eight inches apart and watch the voltmeter/test lamp.

(4) If the voltmeter registers voltage or the test lamp glows, there is a short to ground in that general area of the wiring harness.

TESTING FOR A SHORT TO GROUND ON FUSES POWERING SEVERAL LOADS

(1) Refer to the wiring diagrams and disconnect or isolate all items on the suspected fused circuits.

(2) Replace the blown fuse.

(3) Supply power to the fuse by turning ON the ignition switch or re-connecting the battery.

(4) Start connecting the items in the fuse circuit one at a time. When the fuse blows the circuit with the short to ground has been isolated.

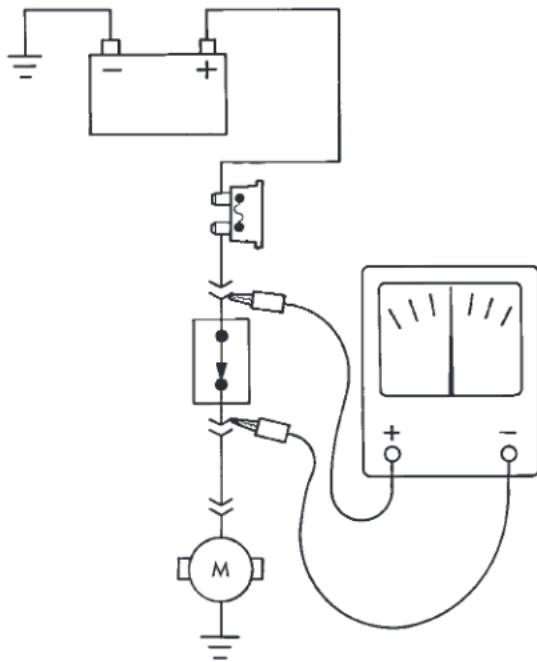
TESTING FOR A VOLTAGE DROP

(1) Connect the positive lead of the voltmeter to the side of the circuit closest to the battery (Fig. 8).

(2) Connect the other lead of the voltmeter to the other side of the switch or component.

(3) Operate the item.

(4) The voltmeter will show the difference in voltage between the two points.



948W-196

Fig. 8 Testing for Voltage Drop

TROUBLESHOOTING WIRING PROBLEMS

When troubleshooting wiring problems there are six steps which can aid in the procedure. The steps are listed and explained below. Always check for non-factory items added to the vehicle before doing any diagnosis. If the vehicle is equipped with these items, disconnect them to verify these add-on items are not the cause of the problem.

(1) Verify the problem.

(2) Verify any related symptoms. Do this by performing operational checks on components that are in the same circuit. Refer to the wiring diagrams.

(3) Analyze the symptoms. Use the wiring diagrams to determine what the circuit is doing, where the problem most likely is occurring and where the diagnosis will continue.

(4) Isolate the problem area.

(5) Repair the problem.

(6) Verify proper operation. For this step check for proper operation of all items on the repaired circuit. Refer to the wiring diagrams.

SERVICE PROCEDURES

WIRING REPAIR

When replacing or repairing a wire, it is important that the correct gage be used as shown in the wiring diagrams. The wires must also be held securely in place to prevent damage to the insulation.

(1) Disconnect battery negative cable.

(2) Remove 1 inch of insulation from each end of the wire.

(3) Place a piece of heat shrink tubing over one side of the wire. Make sure the tubing will be long enough to cover and seal the entire repair area.

(4) Spread the strands of the wire apart on each part of the exposed wire (example 1) (Fig. 9).

(5) Push the two ends of wire together until the strands of wire are close to the insulation (example 2) (Fig. 9).

(6) Twist the wires together (example 3) (Fig. 9).

(7) Solder the connection together using rosin core type solder only. **Do not use acid core solder.**

(8) Center the heat shrink tubing over the joint, and heat using a heat gun. Heat the joint until the tubing is tightly sealed and sealant comes out of both ends of the tubing.

(9) Secure the wire to the existing ones to prevent chafing or damage to the insulation.

(10) Connect battery and test all affected systems.

TERMINAL/CONNECTOR REPAIR-MOLEX CONNECTORS

(1) Disconnect battery.

SERVICE PROCEDURES (Continued)

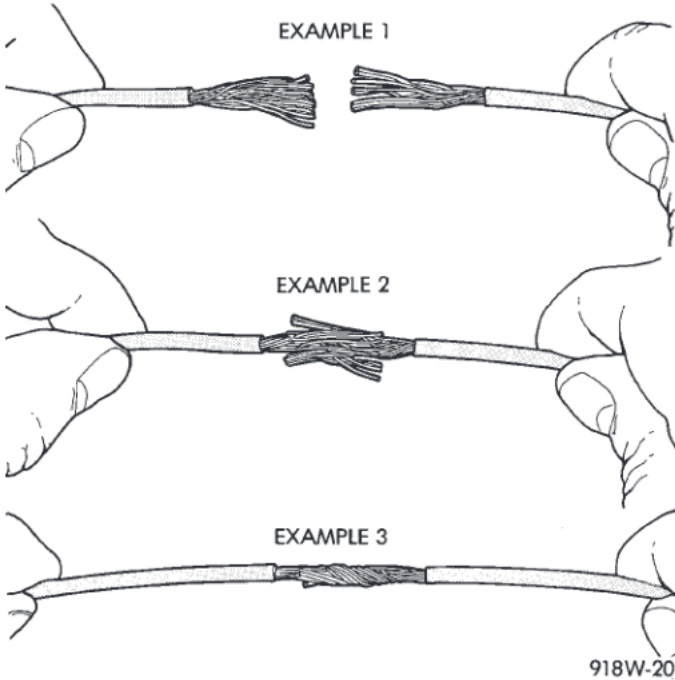


Fig. 9 Wire Repair

- (2) Disconnect the connector from its mating half/component.
- (3) Insert the terminal releasing special tool 6742 into the terminal end of the connector (Fig. 10).

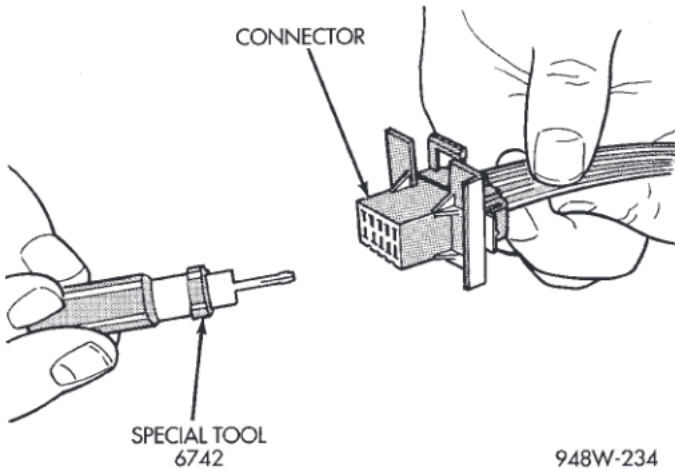


Fig. 10 Molex Connector Repair

- (4) Using special tool 6742 release the locking fingers on the terminal (Fig. 11).
- (5) Pull on the wire to remove it from the connector.
- (6) Repair or replace the connector or terminal, as necessary.

TERMINAL/CONNECTOR REPAIR—THOMAS AND BETTS CONNECTORS

- (1) Disconnect battery.

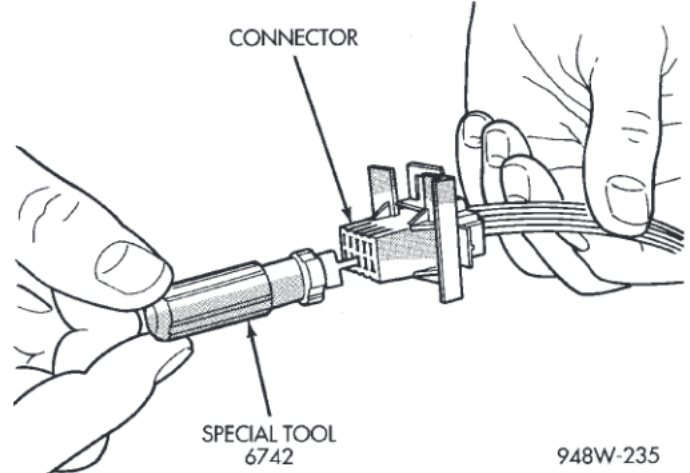


Fig. 11 Using Special Tool 6742

- (2) Disconnect the connector from its mating half/component.
- (3) Push in the two lock tabs on the side of the connector (Fig. 12).

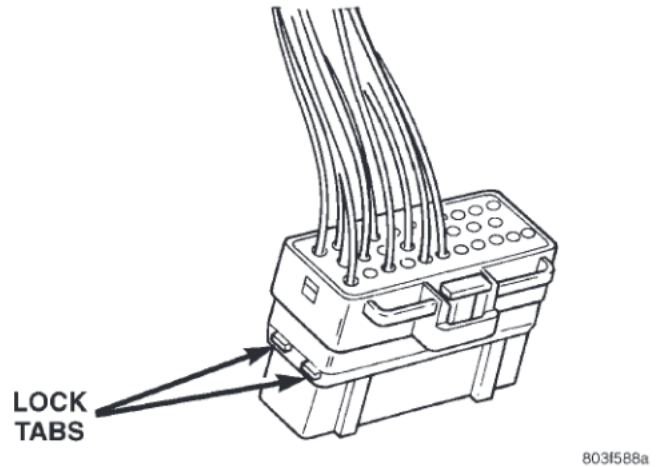


Fig. 12 Thomas and Betts Connector Lock Release Tabs

- (4) Insert the probe end of special tool 6934 into the back of the connector cavity (Fig. 13).
- (5) Grasp the wire and tool 6934 and slowly remove the wire and terminal from the connector.
- (6) Repair or replace the terminal.
- (7) Install the wire and terminal in the connector. Fully seat the terminal in the connector.
- (8) Push in the single lock tab on the side of the connector (Fig. 14).

CONNECTOR REPLACEMENT

- (1) Disconnect battery.
- (2) Disconnect the connector that is to be repaired from its mating half/component.
- (3) Remove the connector locking wedge, if required (Fig. 15).

SERVICE PROCEDURES (Continued)

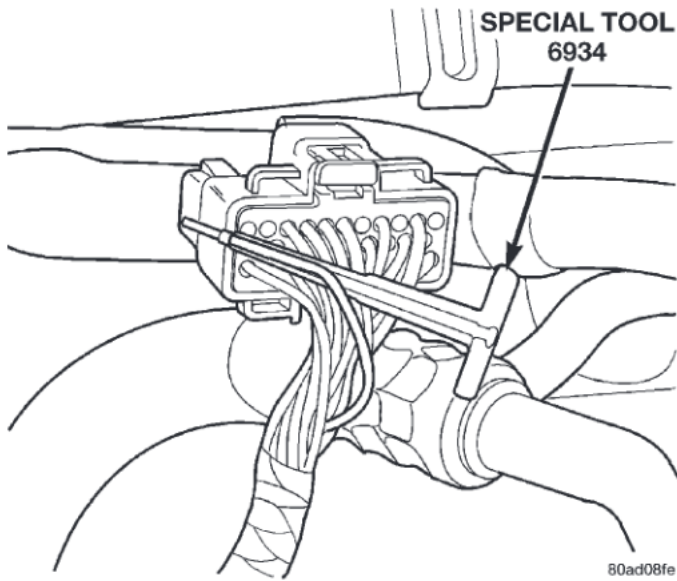


Fig. 13 Removing Wire Terminal

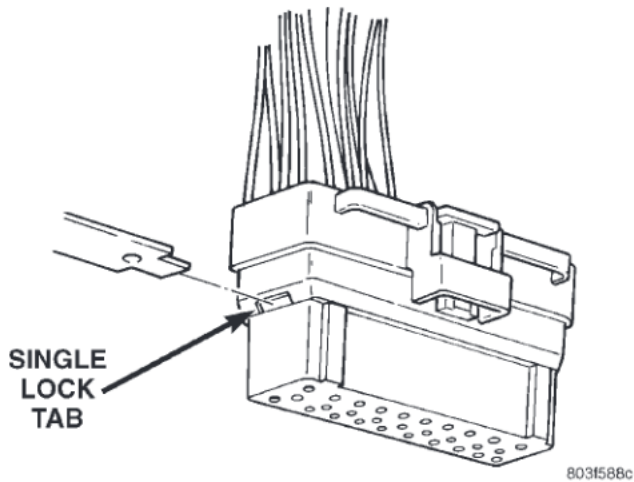


Fig. 14 Single Lock Tab

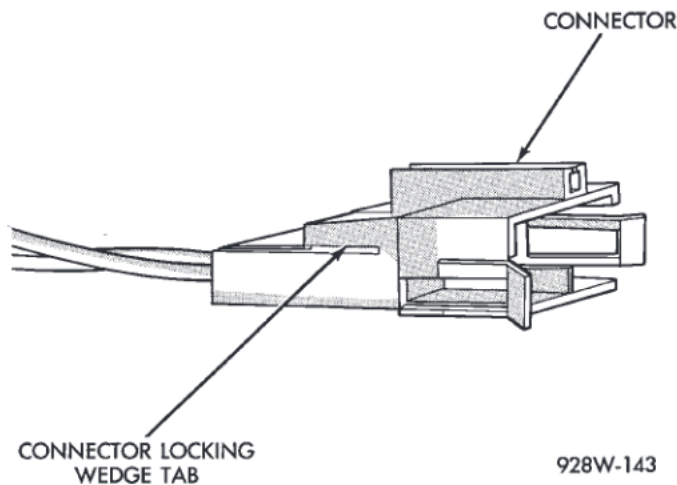


Fig. 15 Connector Locking Wedge

(4) Position the connector locking finger away from the terminal using the proper pick from special tool kit 6680. Pull on the wire to remove the terminal from the connector (Fig. 16) (Fig. 17).

(5) Reset the terminal locking tang, if it has one.

(6) Insert the removed wire in the same cavity on the repair connector.

(7) Repeat steps four through six for each wire in the connector, being sure that all wires are inserted into the proper cavities. For additional connector pin-out identification, refer to the wiring diagrams.

(8) Insert the connector locking wedge into the repaired connector, if required.

(9) Connect connector to its mating half/component.

(10) Connect battery and test all affected systems.

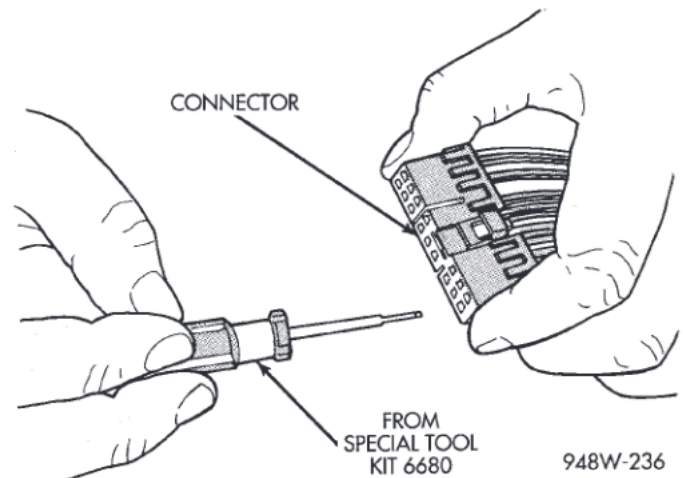


Fig. 16 Terminal Removal

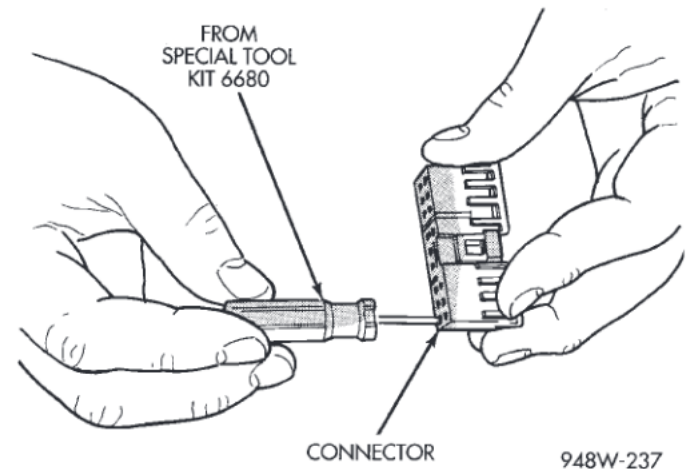


Fig. 17 Terminal Removal Using Special Tool

CONNECTOR AND TERMINAL REPLACEMENT

(1) Disconnect battery.

(2) Disconnect the connector (that is to be repaired) from its mating half/component.

SERVICE PROCEDURES (Continued)

(3) Cut off the existing wire connector directly behind the insulator. Remove six inches of tape from the harness.

(4) Stagger cut all wires on the harness side at 1/2 inch intervals (Fig. 18).

(5) Remove 1 inch of insulation from each wire on the harness side.

(6) Stagger cut the matching wires on the repair connector assembly in the opposite order as was done on the harness side of the repair. Allow extra length for soldered connections. Check that the overall length is the same as the original (Fig. 18).

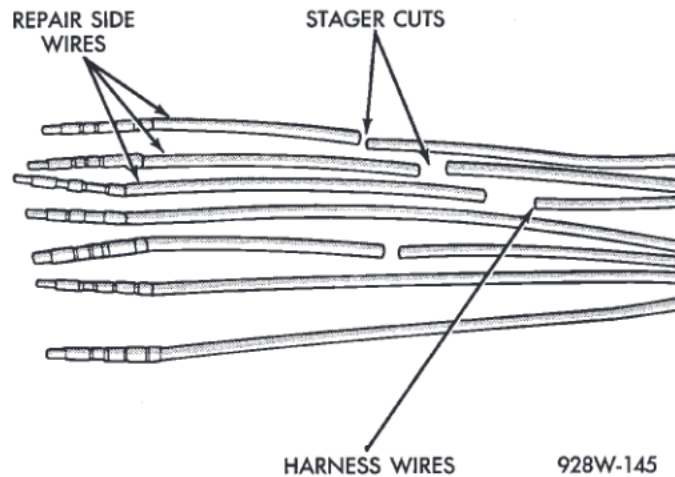


Fig. 18 Stagger Cutting Wires

(7) Remove 1 inch of insulation from each wire.

(8) Place a piece of heat shrink tubing over one side of the wire. Be sure the tubing will be long enough to cover and seal the entire repair area.

(9) Spread the strands of the wire apart on each part of the exposed wires.

(10) Push the two ends of wire together until the strands of wire are close to the insulation.

(11) Twist the wires together.

(12) Solder the connection together using rosin core type solder only. **Do not use acid core solder.**

(13) Center the heat shrink tubing over the joint and heat using a heat gun. Heat the joint until the tubing is tightly sealed and sealant comes out of both ends of the tubing.

(14) Repeat steps 8 through 13 for each wire.

(15) Re-tape the wire harness starting 1-1/2 inches behind the connector and 2 inches past the repair.

(16) Re-connect the repaired connector.

(17) Connect the battery, and test all affected systems.

TERMINAL REPLACEMENT

(1) Disconnect battery.

(2) Disconnect the connector being repaired from its mating half. Remove connector locking wedge, if required (Fig. 19).

(3) Remove connector locking wedge, if required (Fig. 19).

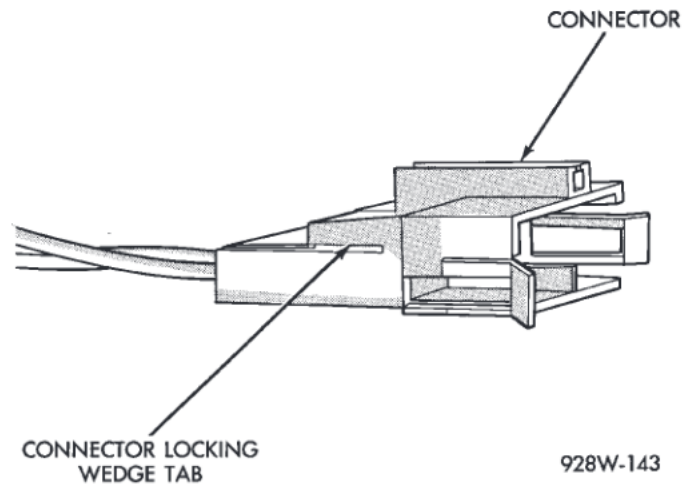


Fig. 19 Connector Locking Wedge Tab (Typical)

(4) Position the connector locking finger away from the terminal using the proper pick from special tool kit 6680. Pull on the wire to remove the terminal from the connector (Fig. 20) (Fig. 21).

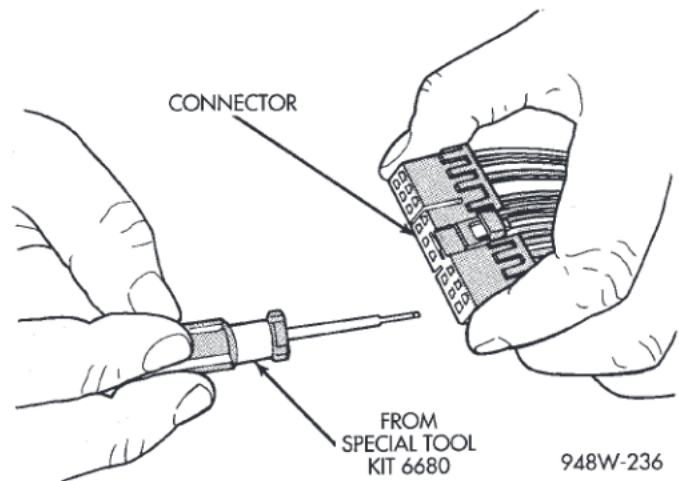


Fig. 20 Terminal Removal

(5) Cut the wire 6 inches from the back of the connector.

(6) Remove 1 inch of insulation from the wire on the harness side.

(7) Select a wire from the terminal repair assembly that best matches the color wire being repaired.

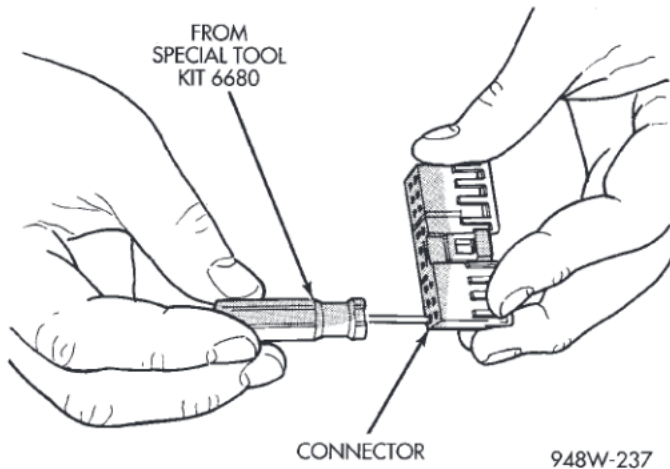
(8) Cut the repair wire to the proper length and remove 1 inch of insulation.

(9) Place a piece of heat shrink tubing over one side of the wire. Make sure the tubing will be long enough to cover and seal the entire repair area.

(10) Spread the strands of the wire apart on each part of the exposed wires.

(11) Push the two ends of wire together until the strands of wire are close to the insulation.

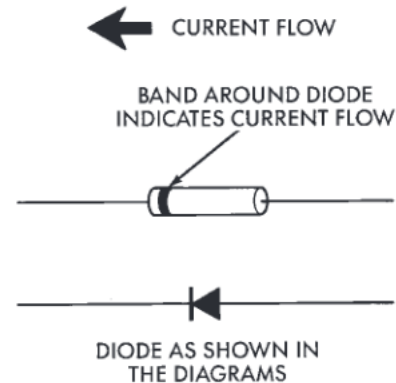
SERVICE PROCEDURES (Continued)

**Fig. 21 Terminal Removal Using Special Tool**

- (12) Twist the wires together.
- (13) Solder the connection together using rosin core type solder only. **Do not use acid core solder.**
- (14) Center the heat shrink tubing over the joint and heat using a heat gun. Heat the joint until the tubing is tightly sealed and sealant comes out of both ends of the tubing.
- (15) Insert the repaired wire into the connector.
- (16) Install the connector locking wedge, if required, and reconnect the connector to its mating half/component.
- (17) Re-tape the wire harness starting 1-1/2 inches behind the connector and 2 inches past the repair.
- (18) Connect battery, and test all affected systems.

DIODE REPLACEMENT

- (1) Disconnect the battery.
- (2) Locate the diode in the harness, and remove the protective covering.
- (3) Remove the diode from the harness, pay attention to the current flow direction (Fig. 22).



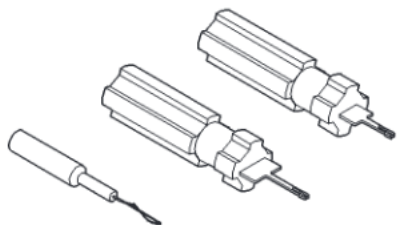
948W-197

Fig. 22 Diode Identification

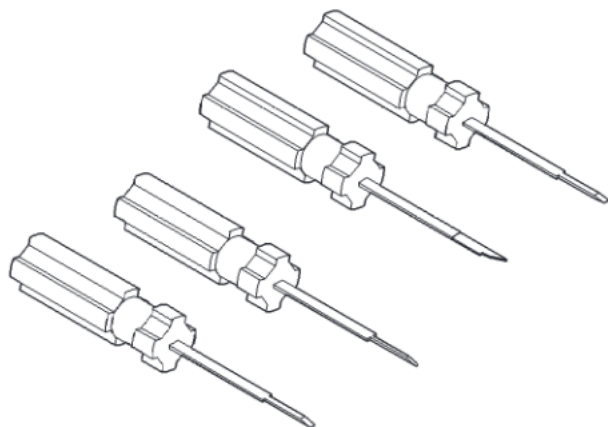
- (4) Remove the insulation from the wires in the harness. Only remove enough insulation to solder in the new diode.
- (5) Install the new diode in the harness, making sure current flow is correct. If necessary refer to the appropriate wiring diagram for current flow.
- (6) Solder the connection together using rosin core type solder only. **Do not use acid core solder.**
- (7) Tape the diode to the harness using electrical tape making, sure the diode is completely sealed from the elements.
- (8) Re-connect the battery, and test affected systems.

SPECIAL TOOLS

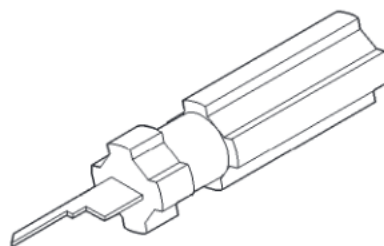
WIRING/TERMINAL



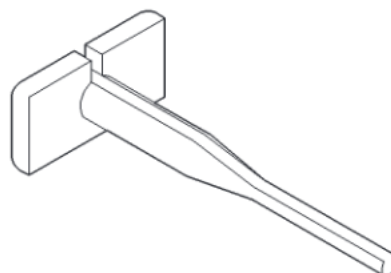
Probing Tool Package 6807



Terminal Pick 6680



Terminal Removing Tool 6932



Terminal Removing Tool 6934

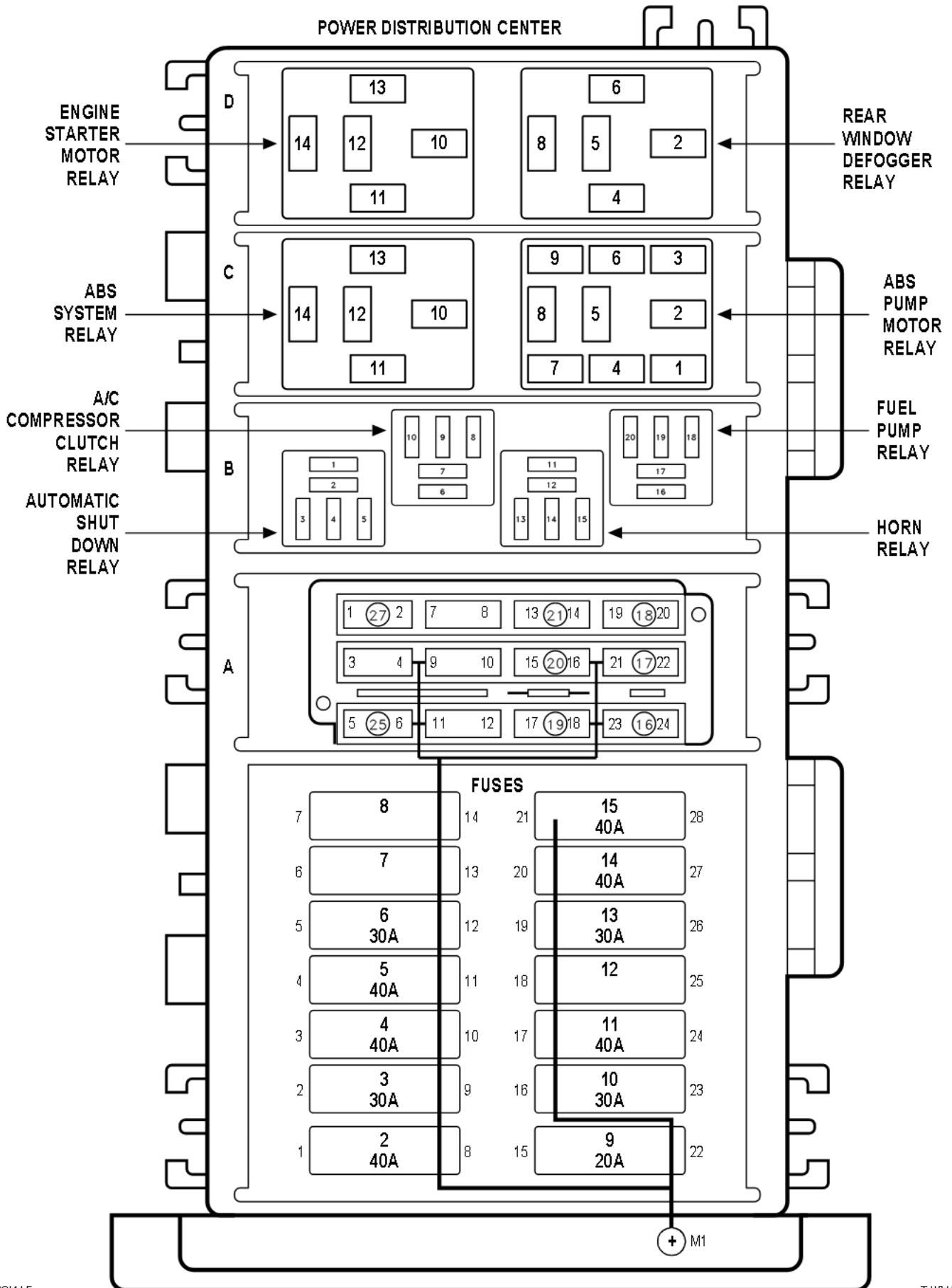
8W-02 COMPONENT INDEX

Component	Page	Component	Page
A/C Compressor Clutch	8W-42	Fuel Pump Relay	8W-30
A/C Compressor Clutch Relay	8W-42	Fuse Block	8W-11
A/C Heater Control	8W-42	Fuses (FB)	8W-11
A/C Pressure Switches	8W-30, 42	Fuses (PDC)	8W-10
ABS Diode	8W-35	Fusible Link	8W-20
ABS Pump Motor	8W-35	Fusible Link A11	8W-10
ABS Pump Motor Relay	8W-35	G-Switch	8W-35
ABS System Relay	8W-35	Gauges	8W-40
Airbag Control Module	8W-43	Generator	8W-20
Airbags	8W-43	Grounds	8W-15
Automatic Shut Down Relay	8W-30	Headlamp Dimmer Switch	8W-50
Back-Up Lamp Switch	8W-51	Headlamp Leveling Motor	8W-50
Back-Up Lamps	8W-51	Headlamp Leveling Switch	8W-50
Battery	8W-20	Headlamp Switch	8W-50
Battery Temperature Sensor	8W-30	Headlamps	8W-50
Blend Door Actuator	8W-42	Horn Relay	8W-41
Blower Motor	8W-42	Horn Switch	8W-30, 41
Blower Motor Relay	8W-42	Horns	8W-41
Brake Indicator Switch	8W-51	HVAC Unit	8W-42
Brake Lamps	8W-51	Hydraulic Control Unit	8W-35
Brake Shift Interlock Solenoid	8W-31	Idle Air Control Motor	8W-30
Brake Warning Indicator Switch	8W-40	Ignition Coil	8W-30
Camshaft Position Sensor	8W-30	Ignition Switch	8W-10
Center High Mounted Stop Lamp	8W-51	Indicators	8W-40
Cigar Lighter/Accessory Relay	8W-41	Instrument Cluster	8W-40
Cigar Lighter/Power Outlet	8W-41	Intake Air Temperature Sensor	8W-30
Circuit Breaker	8W-50, 51	Internal Delay Relay	8W-53
City Lamps	8W-50	Key-In Switch	8W-40, 44
Clockspring	8W-30, 43	Leak Detection Pump	8W-30
Cluster Illumination Lamps	8W-40	License Lamps	8W-51
Clutch Pedal Position Switch	8W-21	Manifold Absolute Pressure Sensor	8W-30
Clutch Pedal Position Switch Connector	8W-21	Manual Transmission Jumper	8W-21, 30
Combination Flasher	8W-52	Mercury Switch	8W-44
Controller Anti-Lock Brake	8W-35	Odometer/Trip Odometer	8W-40
Courtesy Lamps	8W-44	Oxygen Sensors	8W-30
Crankshaft Position Sensor	8W-30	Park Brake Switch	8W-40
Data Link Connector	8W-30	Park/Neutral Position Switch	8W-21, 51
Daytime Running Lamp Module	8W-50	Park/Turn Signal Lamps	8W-50, 52
Dome Lamp	8W-44	Park/Turn Signal Indicators	8W-50, 52
Driver Door Ajar Switch	8W-44	Passenger Airbag On/Off Switch	8W-43
Duty Cycle Evap/Purge Solenoid	8W-30	Passenger Door Ajar Switch	8W-44
Engine Coolant Temperature Sensor	8W-30	Power Distribution Center	8W-10
Engine Oil Pressure Sensor	8W-30	Power Steering Pressure Switch	8W-30
Engine Starter Motor	8W-21	Powertrain Control Module	8W-30
Engine Starter Motor Relay	8W-21	PRNDL Lamp	8W-44
Fog Lamps	8W-50	Radio	8W-47
Fog Lamp Illumination	8W-51	Radio Antenna	8W-47
Fog Lamp Indicator	8W-51	Rear Fog Lamp	8W-51
Fog Lamp Relays	8W-50	Rear Fog Lamp Relay	8W-51
Front Fog Lamp Switch	8W-50	Rear Fog Lamp Switch	8W-51
Fuel Injectors	8W-30	Rear Lamp Assemblies	8W-51
Fuel Pump Module	8W-30	Rear Washer Pump	8W-53

Component	Page	Component	Page
Rear Window Defogger	8W-48	Tail/Stop Lamps	8W-51
Rear Window Defogger Relay	8W-48	Throttle Position Sensor	8W-30
Rear Window Defogger Switch	8W-48	Torque Converter Clutch Solenoid	8W-30, 31
Rear Wiper Motor	8W-53	Transfer Case Switch	8W-31
Rear Wiper/Washer Switch	8W-53	Trip Odometer Reset Switch	8W-40
Repeater Lamps	8W-52	Turn Signal Lamps	8W-52
Seat Belt Switch	8W-40	Turn Signal/Hazard Switch	8W-51, 52
Sentry Key Immobilizer Module	8W-30	Underhood Lamp	8W-44
Side Marker Lamps	8W-50, 52	Vehicle Speed Control Servo	8W-30
Sound Bar Dome Lamp	8W-44	Vehicle Speed Sensor	8W-30
Speakers	8W-47	Voltmeter	8W-40
Speed Control Switch Pod	8W-30	Wheel Speed Sensors	8W-35
Speedometer	8W-40	Windshield Washer Pump	8W-53
Splice Information	8W-70	Windshield Wiper Motor	8W-53
Tachometer	8W-40	Windshield Wiper Switch	8W-53
Tail/Stop/Turn Signal Lamps	8W-51, 52		

8W-10 POWER DISTRIBUTION

Component	Page	Component	Page
A/C Compressor Clutch	8W-10-16	Fuse 14 (PDC)	8W-10-7, 17
A/C Compressor Clutch Relay	8W-10-16	Fuse 15 (FB)	8W-10-9
ABS Diode	8W-10-17	Fuse 15 (PDC)	8W-10-7, 14
ABS Pump Motor	8W-10-17	Fuse 16 (PDC)	8W-10-7, 16
ABS Pump Motor Relay	8W-10-17	Fuse 17 (FB)	8W-10-14
ABS System Relay	8W-10-17	Fuse 17 (PDC)	8W-10-7, 16
Automatic Shut Down Relay	8W-10-11	Fuse 18 (FB)	8W-10-10
Battery	8W-10-6	Fuse 18 (PDC)	8W-10-11
Brake Warning Indicator Switch	8W-10-9	Fuse 19 (FB)	8W-10-10
Cigar Lighter/Accessory Relay	8W-10-9, 10	Fuse 19 (PDC)	8W-10-7, 14
Clutch Pedal Position Switch	8W-10-8	Fuse 20 (FB)	8W-10-8
Controller Anti-Lock Brake	8W-10-17	Fuse 20 (PDC)	8W-10-7, 15
Data Link Connector	8W-10-15	Fuse 21 (PDC)	8W-10-7, 17
Dome Lamp	8W-10-15	Fuse 25 (PDC)	8W-10-7, 16
Engine Starter Motor	8W-10-6, 8	Fuse 27 (PDC)	8W-10-7, 11
Engine Starter Motor Relay	8W-10-8	Fuse Block	8W-10-8, 9, 10, 14
Fog Lamp Relay No. 1	8W-10-16	Fusible Link A11	8W-10-6
Fuel Injector No. 1	8W-10-12	G300	8W-10-9
Fuel Injector No. 2	8W-10-12	Generator	8W-10-6
Fuel Injector No. 3	8W-10-12	Headlamp Switch	8W-10-13
Fuel Injector No. 4	8W-10-12	High Note Horn	8W-10-16
Fuel Injector No. 5	8W-10-12	Horn Relay	8W-10-16
Fuel Injector No. 6	8W-10-12	HVAC Unit	8W-10-13
Fuel Pump Module	8W-10-14	Hydraulic Control Unit	8W-10-17
Fuel Pump Relay	8W-10-14	Ignition Coil	8W-10-12
Fuse 1 (FB)	8W-10-10	Ignition Switch	8W-10-8, 9
Fuse 2 (FB)	8W-10-10	Instrument Cluster	8W-10-15
Fuse 2 (PDC)	8W-10-6, 8	Leak Detection Pump	8W-10-11
Fuse 3 (PDC)	8W-10-6, 9	Left Courtesy Lamp	8W-10-15
Fuse 4 (PDC)	8W-10-6, 10	Left Fog Lamp	8W-10-16
Fuse 5 (FB)	8W-10-8	Low Note Horn	8W-10-16
Fuse 5 (PDC)	8W-10-6, 10	Oxygen Sensor 1/1 Upstream	8W-10-11
Fuse 6 (FB)	8W-10-8	Oxygen Sensor 1/2 Downstream	8W-10-11
Fuse 6 (PDC)	8W-10-6, 11	Park Brake Switch	8W-10-9
Fuse 7 (FB)	8W-10-8	Power Distribution Center	8W-10-2, 6, 7, 8, 9, 10, 11, 13, 14, 15, 16, 17
Fuse 8 (FB)	8W-10-8	Powertrain Control Module	8W-10-11
Fuse 9 (FB)	8W-10-9	Radio	8W-10-15
Fuse 9 (PDC)	8W-10-6, 13	Rear Window Defogger	8W-10-14
Fuse 10 (FB)	8W-10-9	Rear Window Defogger Relay	8W-10-14
Fuse 10 (PDC)	8W-10-6, 13	Right Courtesy Lamp	8W-10-15
Fuse 11 (FB)	8W-10-9	Right Fog Lamp	8W-10-16
Fuse 11 (PDC)	8W-10-6, 13	Sound Bar Dome Lamp	8W-10-15
Fuse 12 (FB)	8W-10-9	Turn Signal/Hazard Switch	8W-10-13
Fuse 13 (FB)	8W-10-9	Underhood Lamp	8W-10-15
Fuse 13 (PDC)	8W-10-7, 17		
Fuse 14 (FB)	8W-10-9		



FUSES

FUSE NO.	AMPS	FUSED CIRCUIT	FEED CIRCUIT
2	40A	A2 12PK/BK	A0 6RD
		A2 12PK/BK	
3	30A	A1 14RD	A0 6RD
4	40A	A6 12RD/BK	A0 6RD
5	40A	F30 12RD/PK	A0 6RD
6	30A	A14 14RD/WT	A0 6RD
		A14 14RD/WT	
7	-	-	A0 6RD
8	-	-	A0 6RD
9	20A	L9 16BK/WT	A0 6RD
10	30A	A3 14RD/WT	A0 6RD
11	40A	A111 12RD/LB	A0 6RD
12	-	-	A0 6RD
13	30A	A20 14RD/DB	A0 6RD
14	40A	A10 12RD/DG	A0 6RD
15	40A	A4 12BK/PK	A0 6RD
16	10A	A17 20RD/GY	A0 6RD
17	20A	F31 18VT	A0 6RD
		F31 18VT	
18	20A	F42 18DG/LG	A142 14DG/PK
19	20A	A61 18DG/BK	A0 6RD
20	10A	M1 20PK/WT	A0 6RD
21	10A	B47 14RD/LB	B48 20RD/YL
22	-	-	
23	-	-	
24	-	-	
25	20A	F61 18WT/OR	A0 6RD
26	-	-	
27	10A	F142 20OR/DG	A142 14DG/PK

**ABS
PUMP
MOTOR
RELAY**

CAVITY	CIRCUIT	FUNCTION
C1	-	-
C2	A10 12RD/DG	FUSED B (+)
C3	Z1 14BK	GROUND
C4	B47 14RD/LB	ABS SYSTEM RELAY OUTPUT
	B47 14RD/LB	ABS SYSTEM RELAY OUTPUT
C5	-	-
C6	B116 20GY	ABS PUMP MOTOR RELAY CONTROL
C7	-	-
C8	B120 12BR/WT	ABS PUMP MOTOR RELAY OUTPUT
C9	-	-

**ABS
SYSTEM
RELAY**

CAVITY	CIRCUIT	FUNCTION
C10	B47 14RD/LB	ABS SYSTEM RELAY OUTPUT
C11	F20 20VT/WT	FUSED IGNITION SWTCH OUTPUT (RUN)
C12	Z1 14BK	GROUND
C13	B58 20GY/LB	ABS SYSTEM RELAY CONTROL
C14	A20 14RD/DB	FUSED B(+)

**A/C
COMPRESSOR
CLUTCH
RELAY**

CAVITY	CIRCUIT	FUNCTION
B6	A17 20RD/GY	FUSED B (+)
B7	C3 20DB/BK	A/C COMPRESSOR CLUTCH RELAY OUTPUT
B8	F20 20VT/WT	FUSED IGNITION SWTCH OUTPUT (RUN)
B9	-	-
B10	C13 18DB/OR	A/C COMPRESSOR CLUTCH RELAY CONTROL

**AUTOMATIC
SHUT DOWN
RELAY**

CAVITY	CIRCUIT	FUNCTION
B1	A14 14RD/WT	FUSED B (+)
B2	A142 14DG/PK	AUTOMATIC SHUT DOWN RELAY OUTPUT SENSE
B3	F15 20DB	FUSED IGNITION SWTCH OUTPUT (ST-RUN)
B4	-	-
B5	K51 18DB/YL	AUTOMATIC SHUT DOWN RELAY CONTROL

**ENGINE
STARTER
MOTOR
RELAY**

CAVITY	CIRCUIT	FUNCTION
D10	A2 12PK/BK	FUSED B (+)
D11	T141 14 YL/RD	FUSED IGNITION SWTCH OUTPUT (ST)
D12	-	-
D13	T41 20BR/LB	PARK/NEUTRAL POSITION SWTCH SENSE
D14	T40 12BR	ENGINE STARTER MOTOR RELAY OUTPUT

**FUEL
PUMP
RELAY**

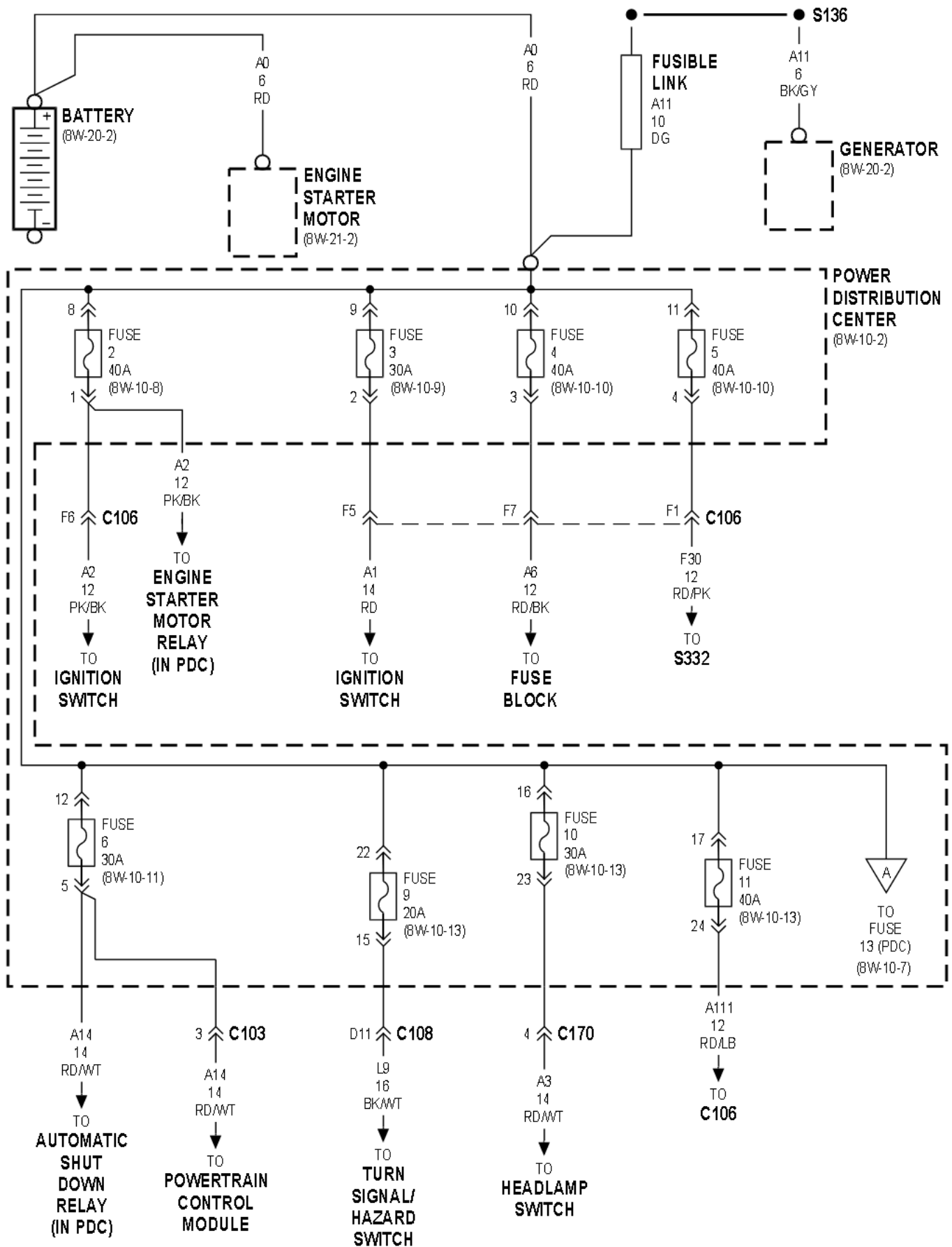
CAVITY	CIRCUIT	FUNCTION
B16	A61 18DG/BK	FUSED B (+)
B17	A141 18DG/WT	FUEL PUMP RELAY OUTPUT
B18	F15 20DB	FUSED IGNITION SWTCH OUTPUT (ST-RUN)
B19	-	-
B20	K31 18BR	FUEL PUMP RELAY CONTROL

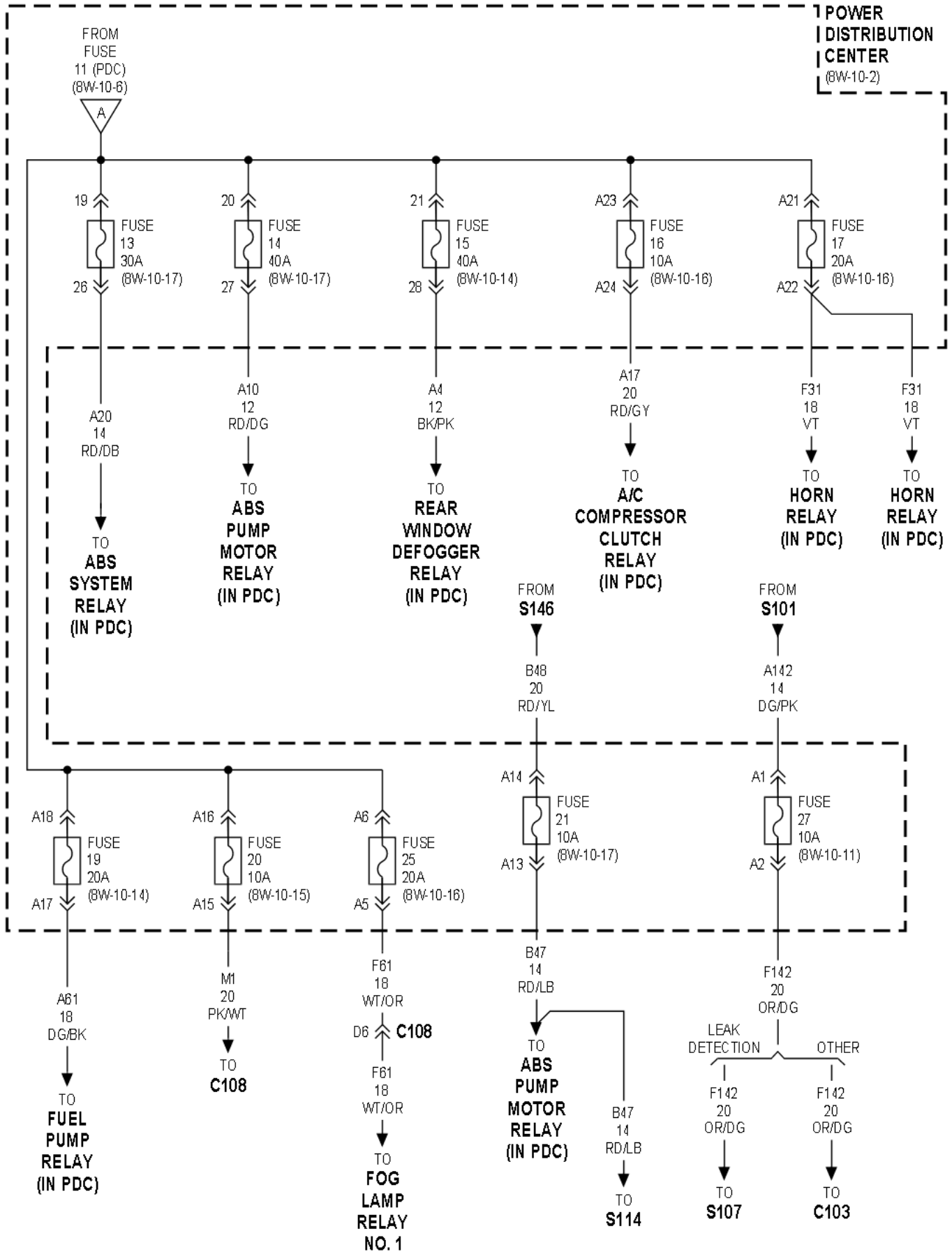
**HORN
RELAY**

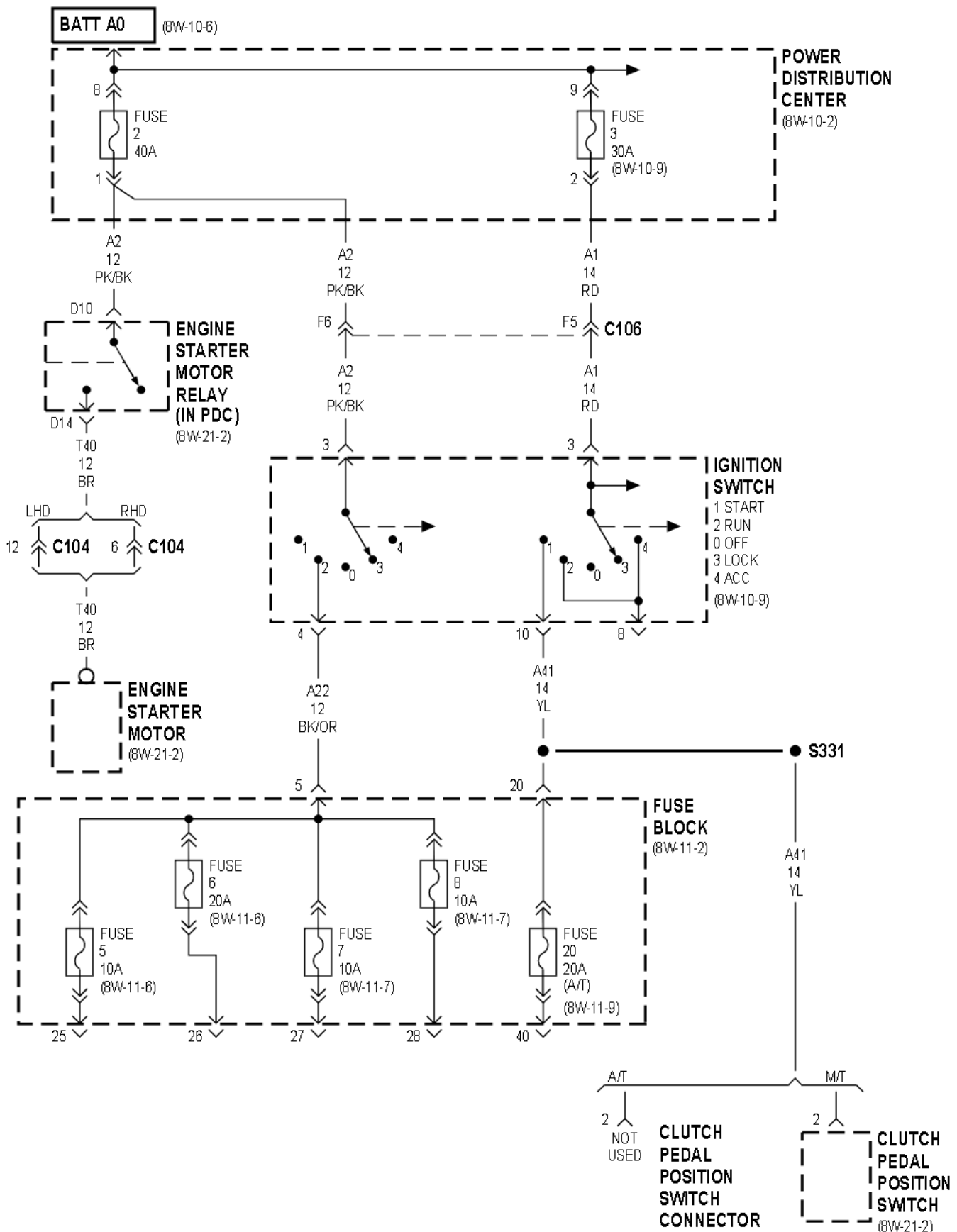
CAVITY	CIRCUIT	FUNCTION
B11	F31 18VT	FUSED B (+)
B12	X2 18WT/RD	HORN RELAY OUTPUT
B13	F31 18VT	FUSED B (+)
B14	-	-
B15	X3 20RD/YL	HORN RELAY CONTROL

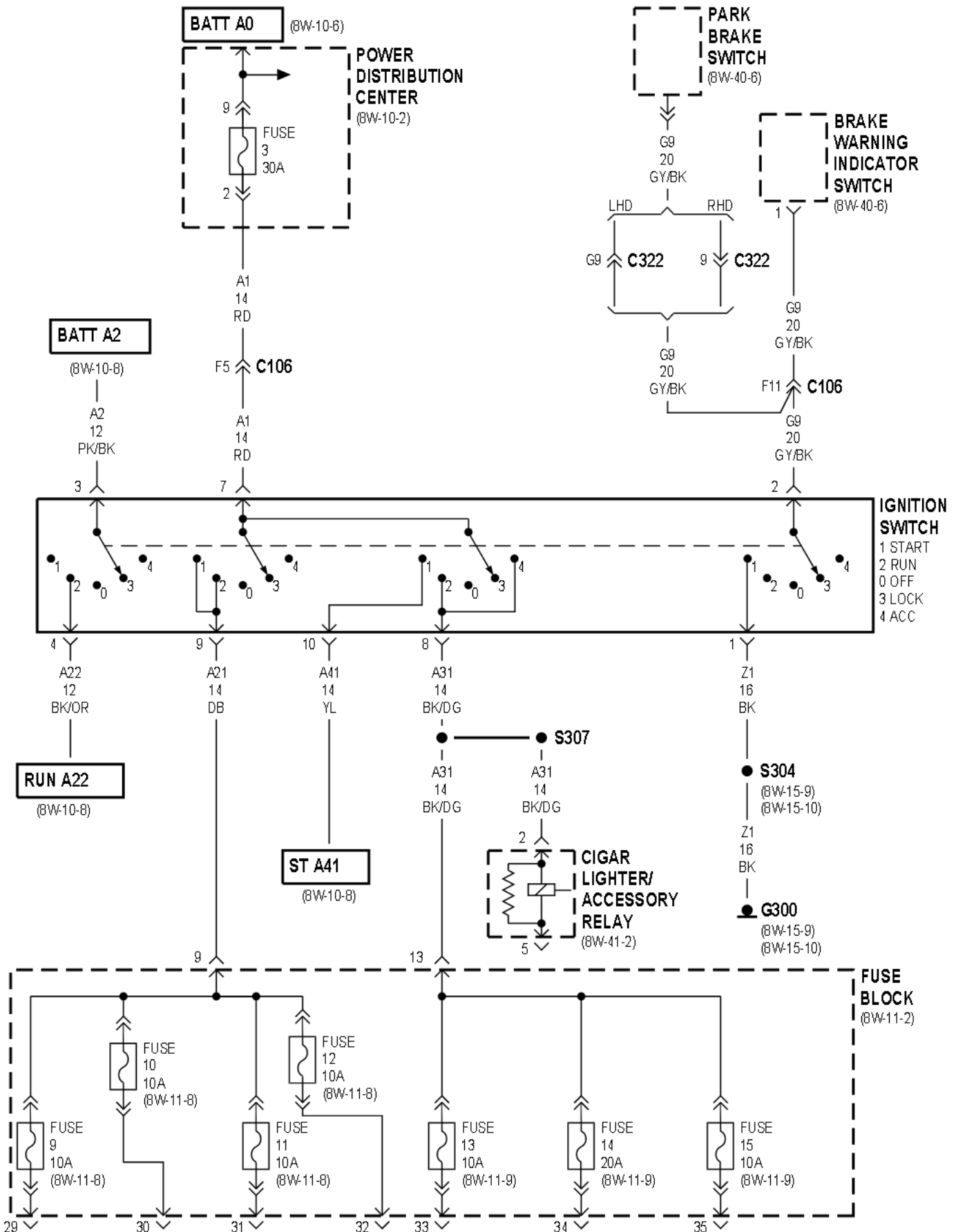
**REAR
WINDOW
DEFOGGER
RELAY**

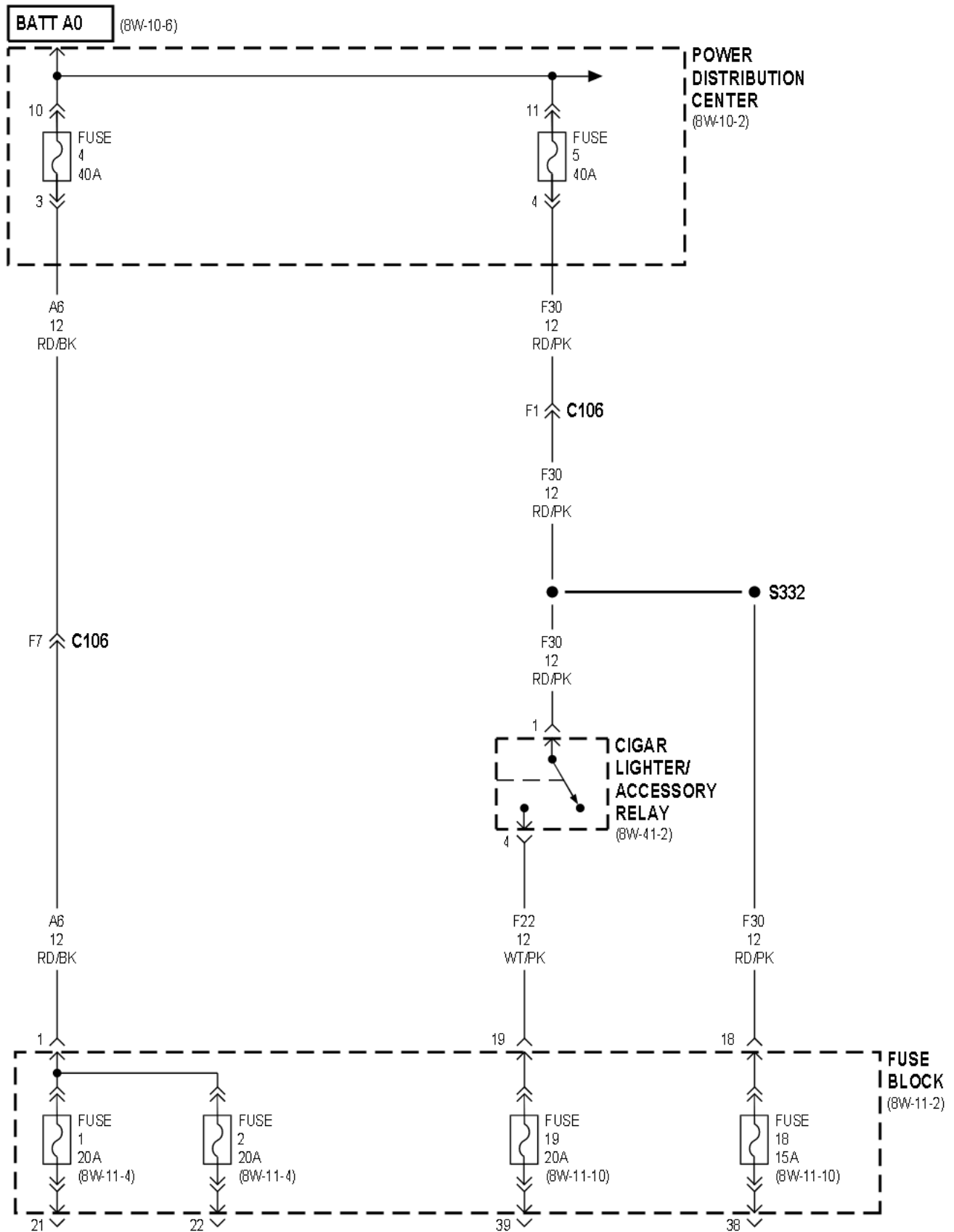
CAVITY	CIRCUIT	FUNCTION
D2	A4 12BK/PK	FUSED B (+)
D4	F20 20VT/WT	FUSED IGNITION SWTCH OUTPUT (RUN)
D5	-	-
D6	C81 20LB/WT	REAR WINDOW DEFOGGER RELAY CONTROL
D8	C15 12BK/WT	REAR WINDOW DEFOGGER RELAY OUTPUT

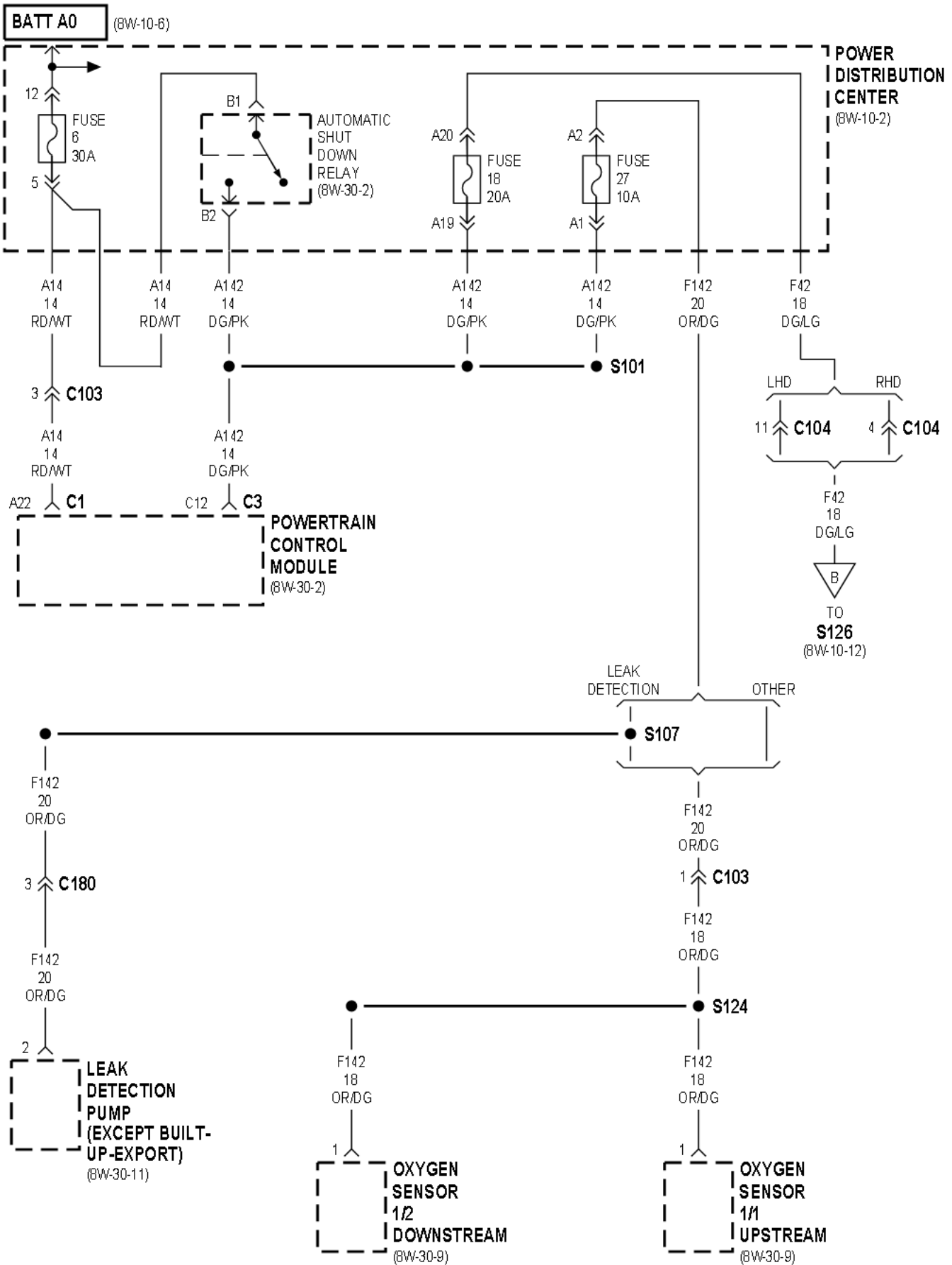


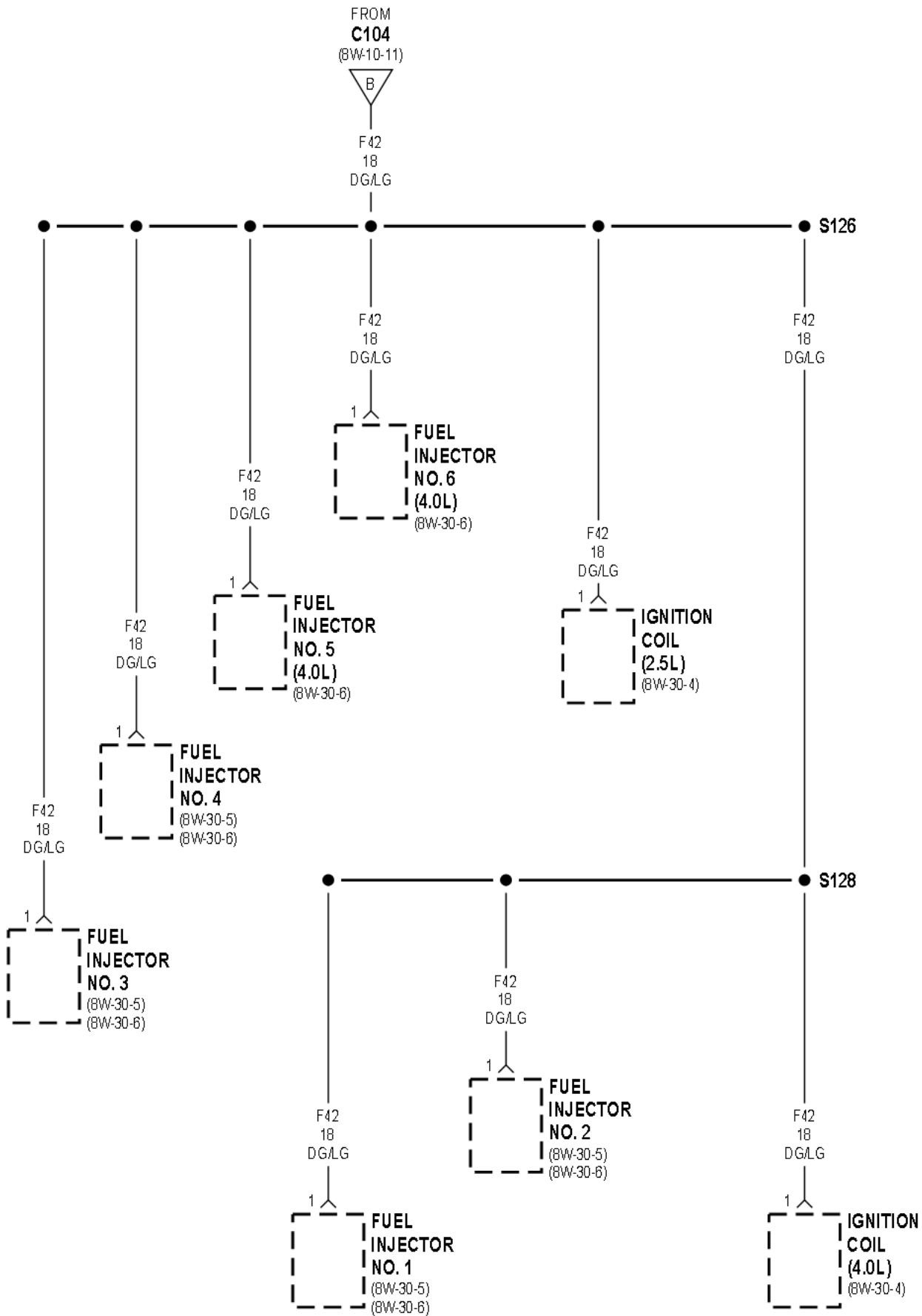


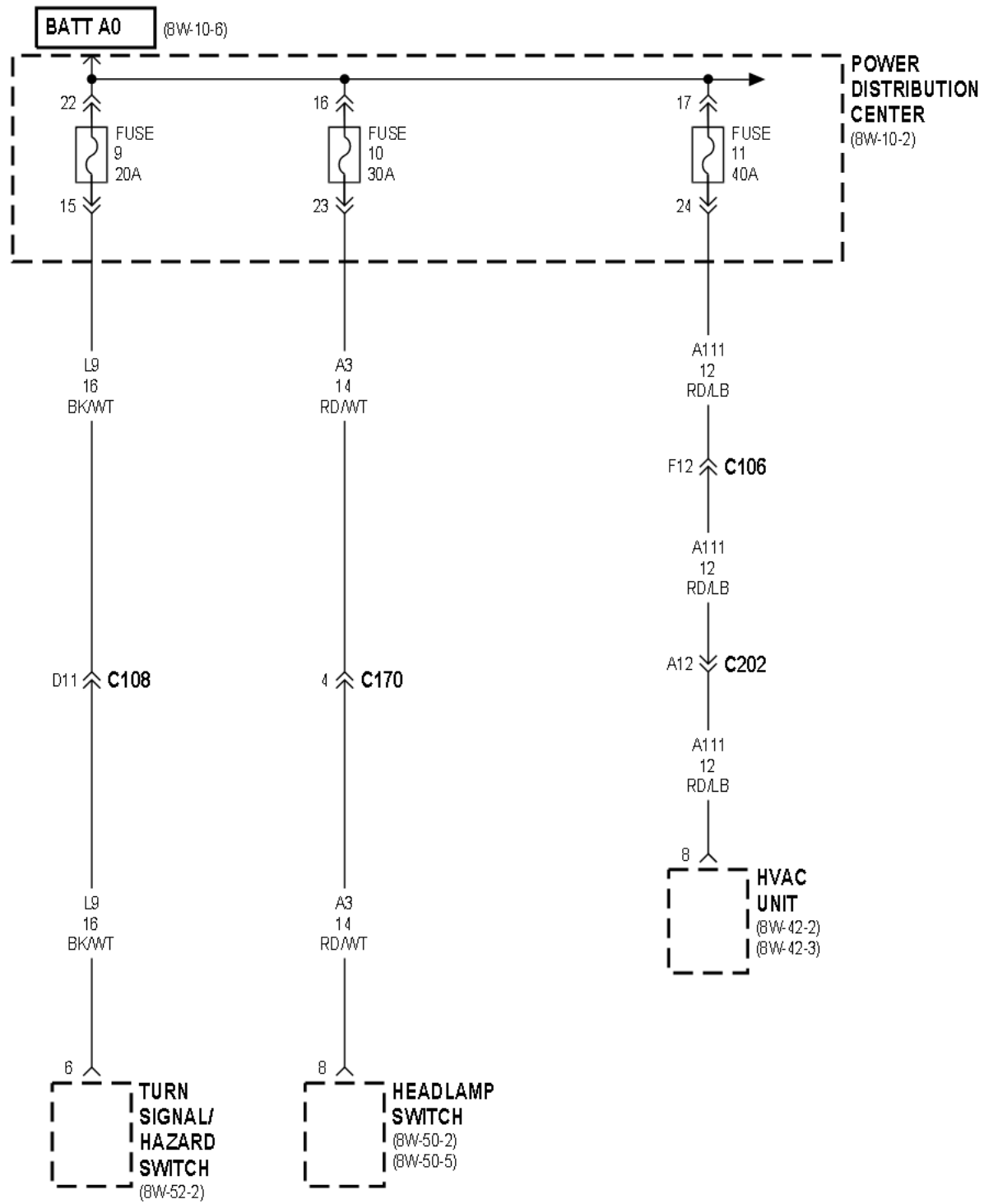


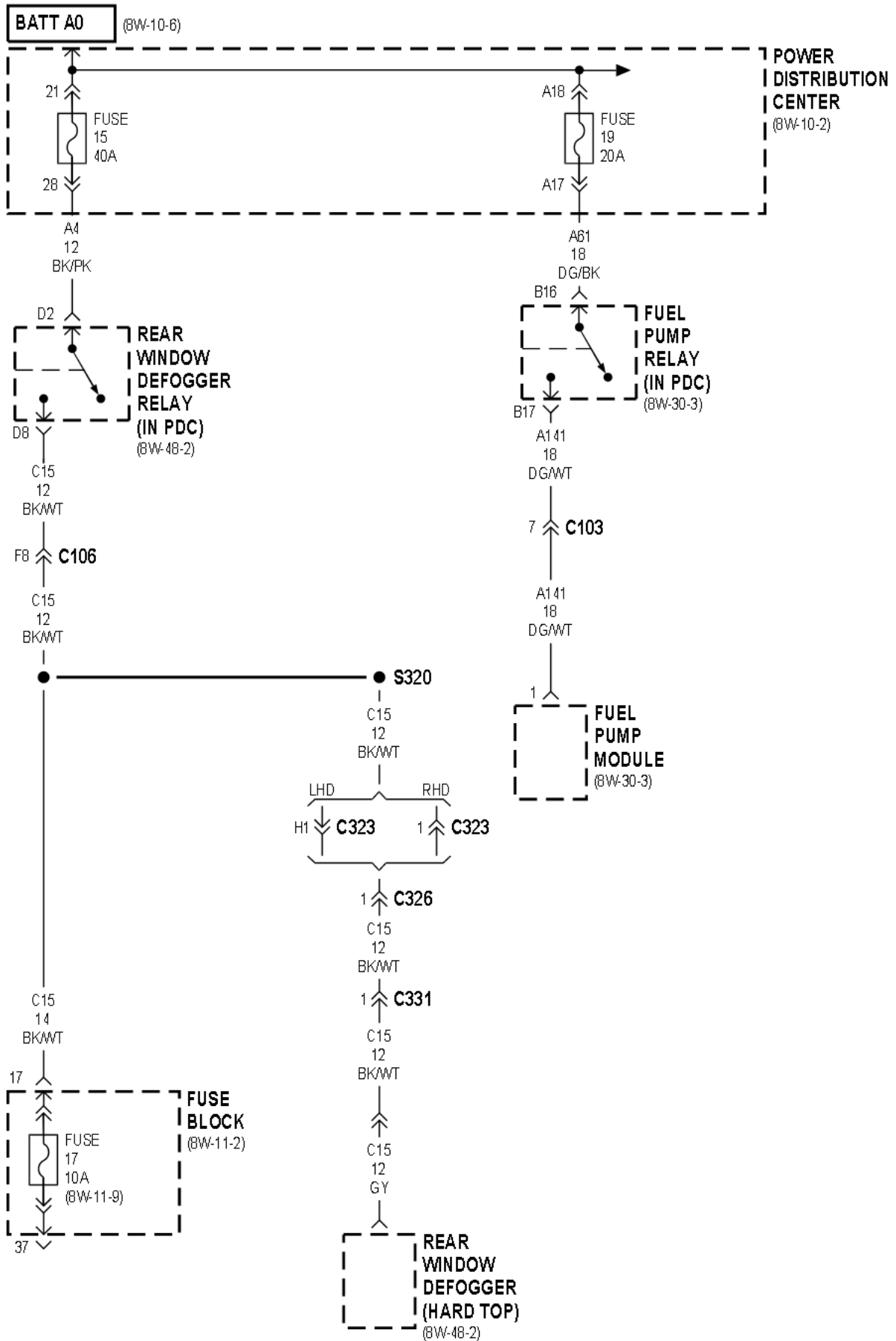


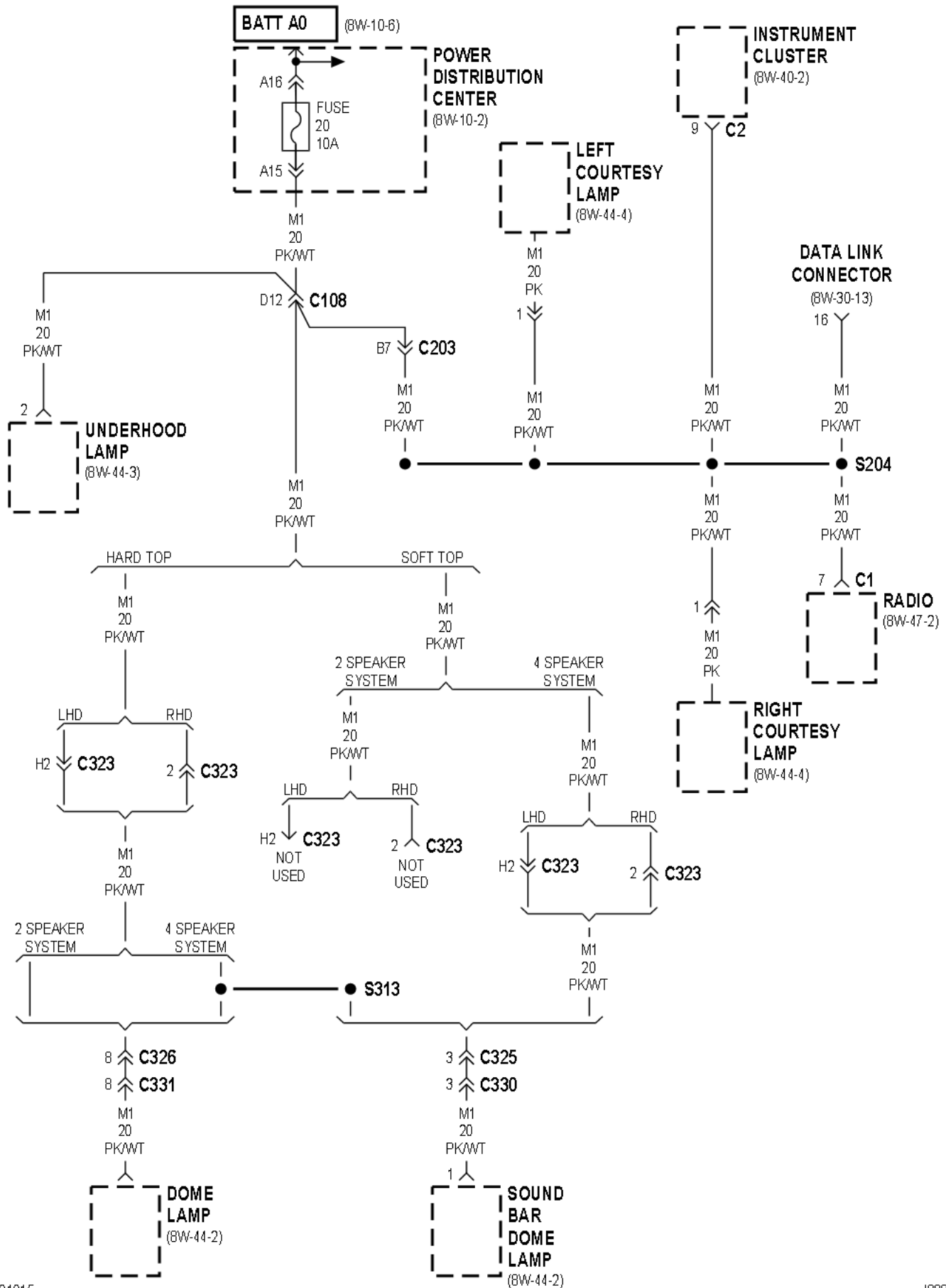


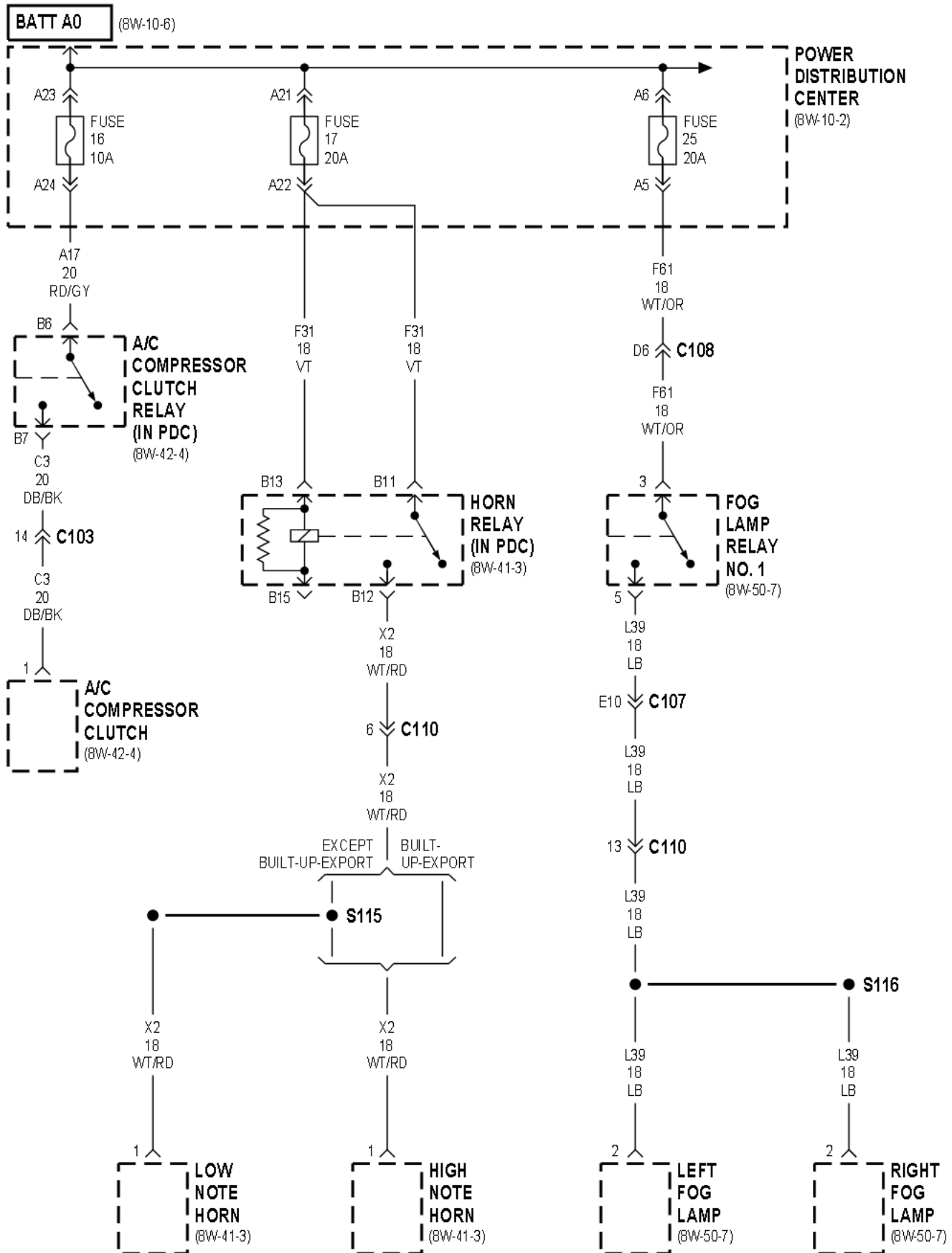


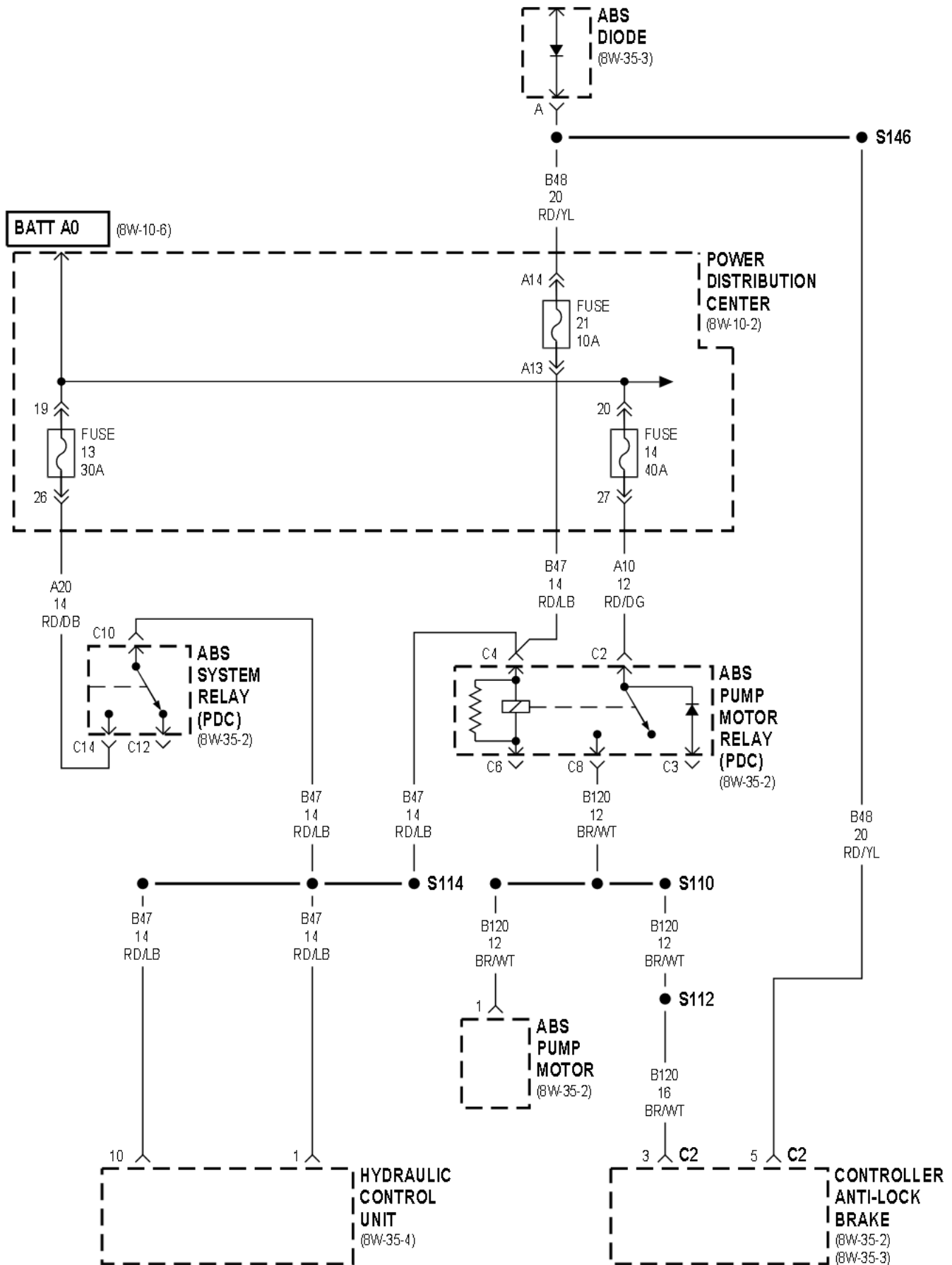








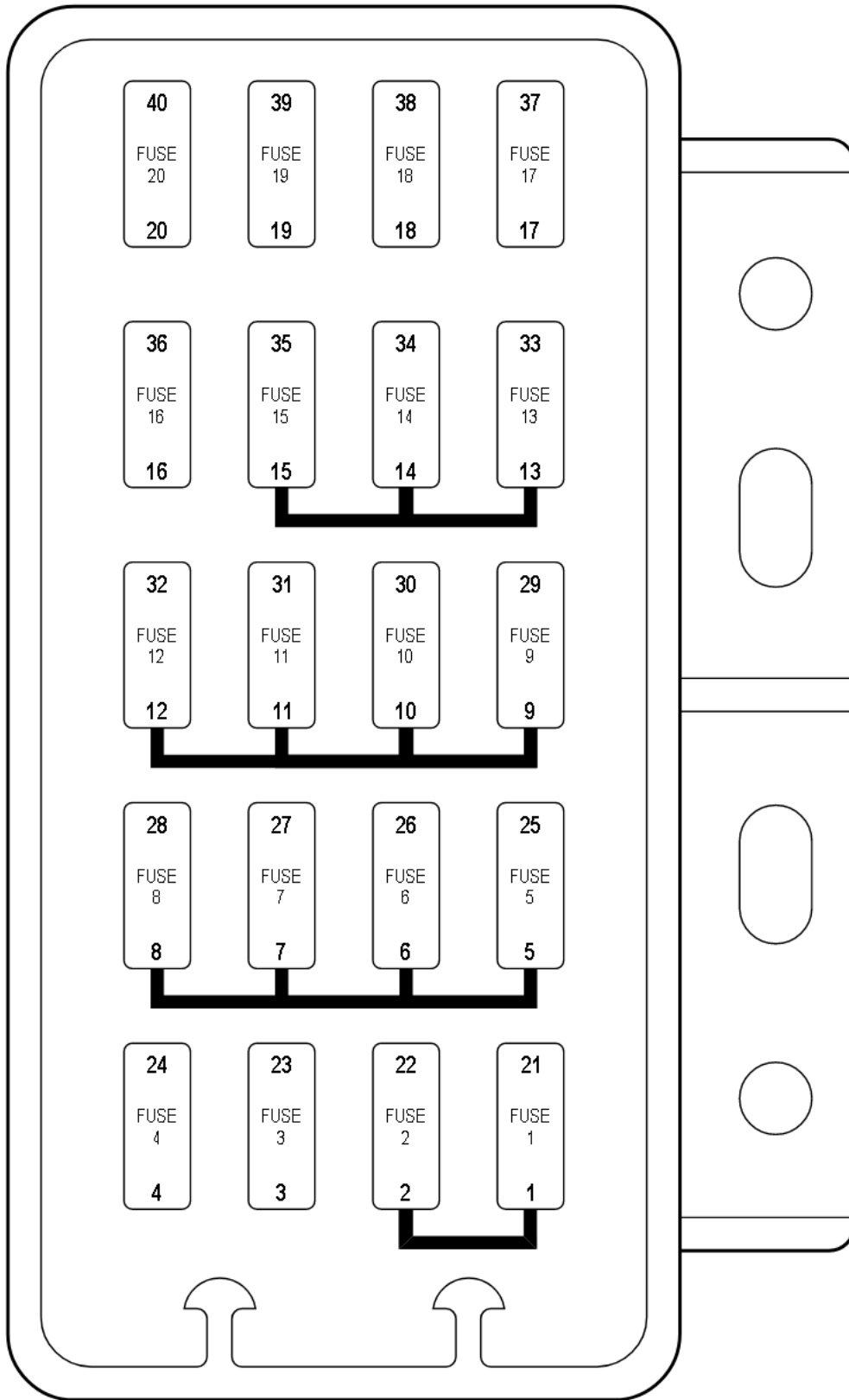




8W-11 FUSE/FUSE BLOCK

Component	Page	Component	Page
A/C Compressor Clutch Relay	8W-11-7	Fuse 14 (FB)	8W-11-9
A/C Heater Control	8W-11-4, 7	Fuse 15 (FB)	8W-11-9
ABS System Relay	8W-11-7	Fuse 16 (FB)	8W-11-10
Airbag Control Module	8W-11-6, 8	Fuse 17 (FB)	8W-11-9
Automatic Shut Down Relay	8W-11-8	Fuse 18 (FB)	8W-11-10
Back-Up Lamp Switch	8W-11-7	Fuse 19 (FB)	8W-11-10
Brake Lamp Switch	8W-11-4	Fuse 20 (FB)	8W-11-9
Brake Shift Interlock Solenoid	8W-11-8	Fuse Block	8W-11-2, 4, 5, 6, 7, 8, 9, 10
Cigar Lighter/Accessory Relay	8W-11-10	G300	8W-11-5
Cigar Lighter/Power Outlet	8W-11-10	Headlamp Dimmer Switch	8W-11-10
Clutch Pedal Position Switch	8W-11-9	Headlamp Leveling Switch	8W-11-10
Clutch Pedal Position Switch Connector	8W-11-9	Headlamp Switch	8W-11-4, 10
Controller Anti-Lock Brake	8W-11-7	HVAC Unit	8W-11-7
Daytime Running Lamp Module	8W-11-8	Instrument Cluster	8W-11-4, 8
Driver Door Ajar Switch	8W-11-5	Left Headlamp Leveling Motor	8W-11-10
Duty Cycle Evap/Purge Solenoid	8W-11-8	Park/Neutral Position Switch	8W-11-7
Engine Starter Motor Relay	8W-11-9	Passenger Airbag On/Off Switch	8W-11-8
Fog Lamp Relay No. 1	8W-11-5	Passenger Door Ajar Switch	8W-11-5
Fog Lamp Relay No. 2	8W-11-5	Powertrain Control Module	8W-11-8
Front Fog Lamp Switch	8W-11-4	PRNDL Lamp	8W-11-4
Fuel Pump Relay	8W-11-8	Radio	8W-11-4, 9
Fuse 1 (FB)	8W-11-4	Rear Fog Lamp Relay	8W-11-5, 10
Fuse 2 (FB)	8W-11-4	Rear Fog Lamp Switch	8W-11-4
Fuse 3 (FB)	8W-11-4	Rear Window Defogger Relay	8W-11-7, 9
Fuse 4 (FB)	8W-11-5	Rear Window Defogger Switch	8W-11-4, 9
Fuse 5 (FB)	8W-11-6	Rear Wiper Motor	8W-11-6
Fuse 6 (FB)	8W-11-6	Rear Wiper/Washer Switch	8W-11-4, 6
Fuse 7 (FB)	8W-11-7	Right Headlamp Leveling Motor	8W-11-10
Fuse 8 (FB)	8W-11-7	Sentry Key Immobilizer Module	8W-11-4, 8
Fuse 9 (FB)	8W-11-8	Torque Converter Clutch Solenoid	8W-11-8
Fuse 10 (FB)	8W-11-8	Turn Signal/Hazard Switch	8W-11-9
Fuse 11 (FB)	8W-11-8	Windshield Wiper Motor	8W-11-9
Fuse 12 (FB)	8W-11-8	Windshield Wiper Switch	8W-11-9
Fuse 13 (FB)	8W-11-9		

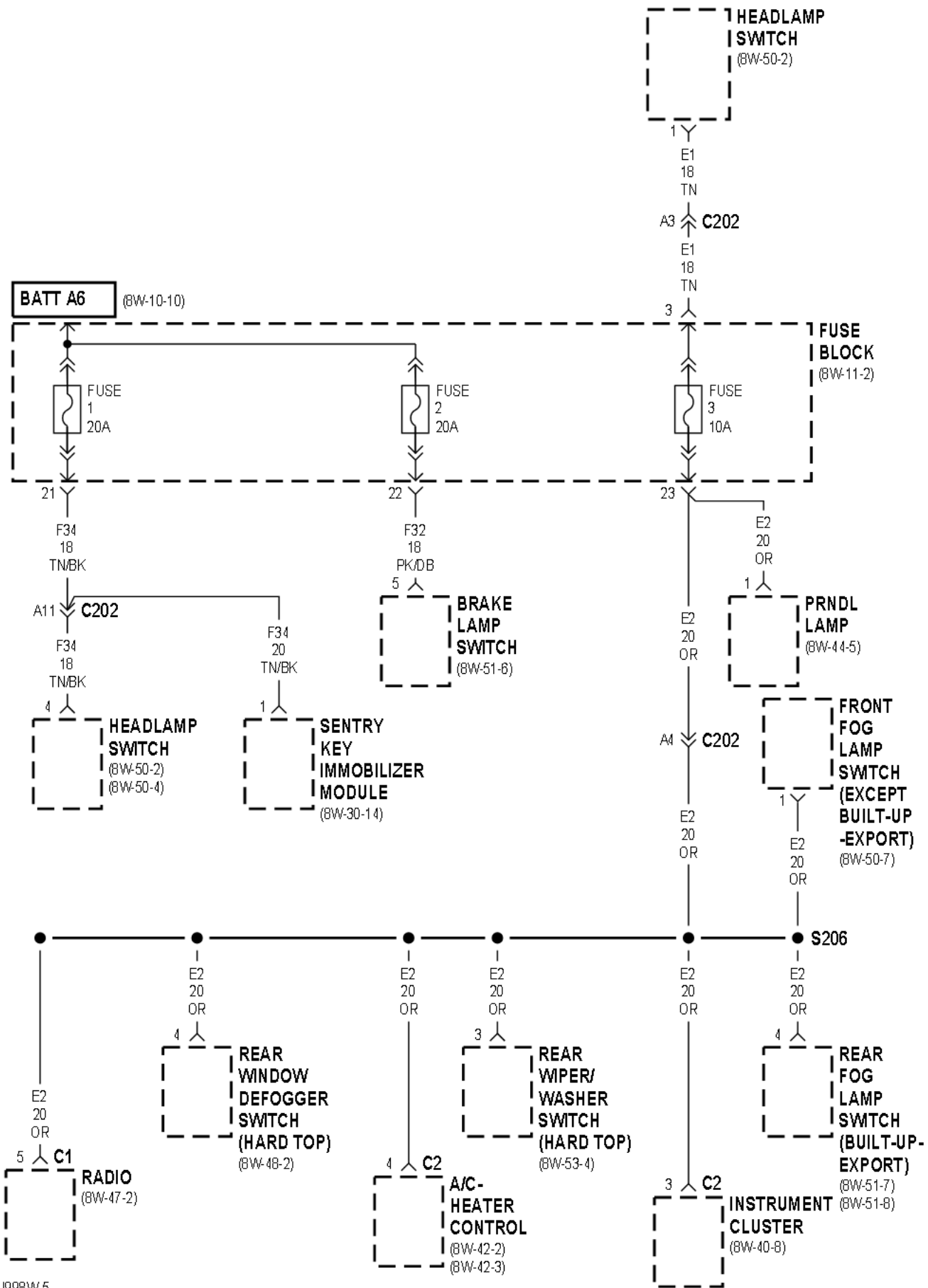
FRONT OF
FUSE BLOCK

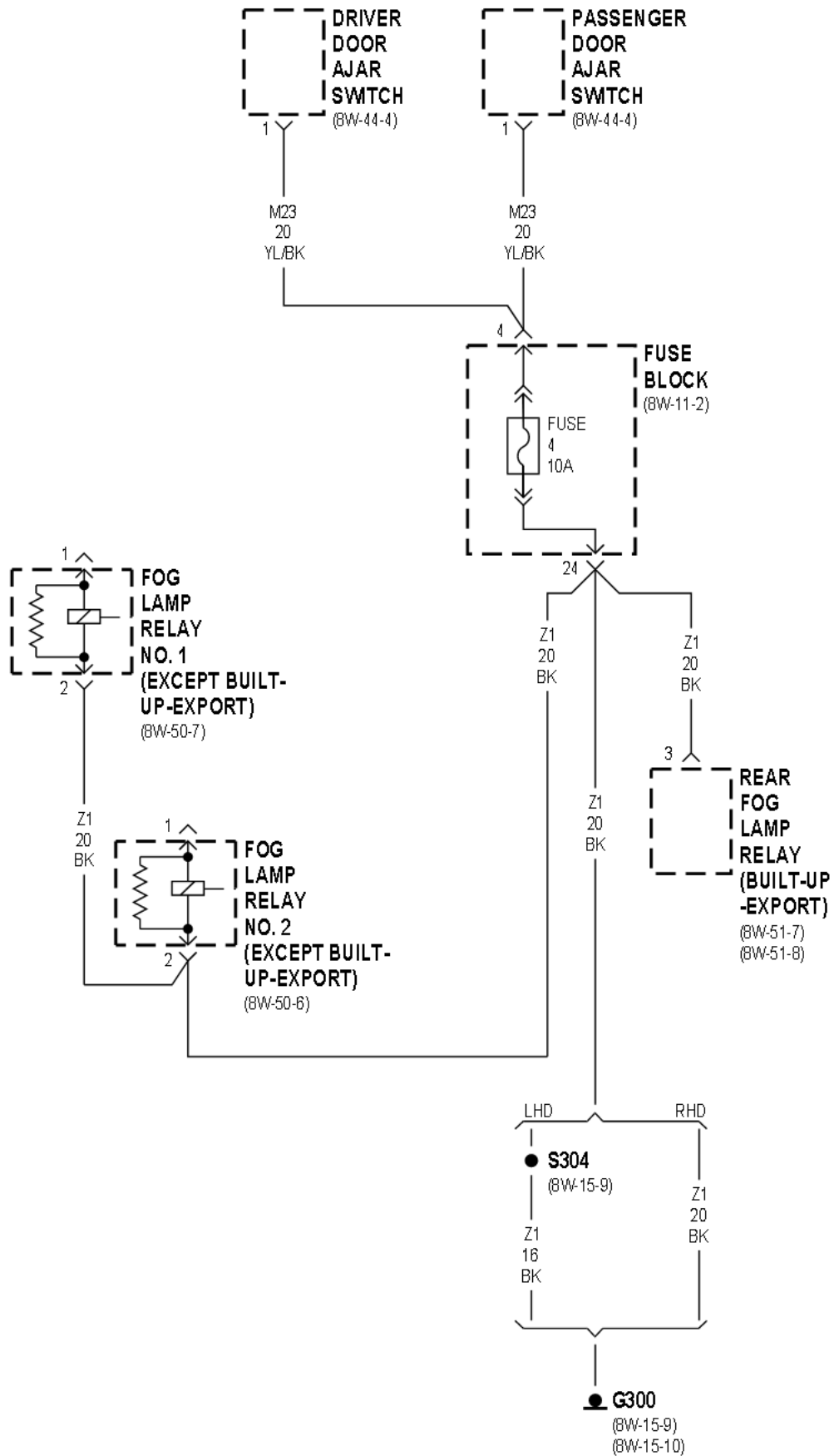


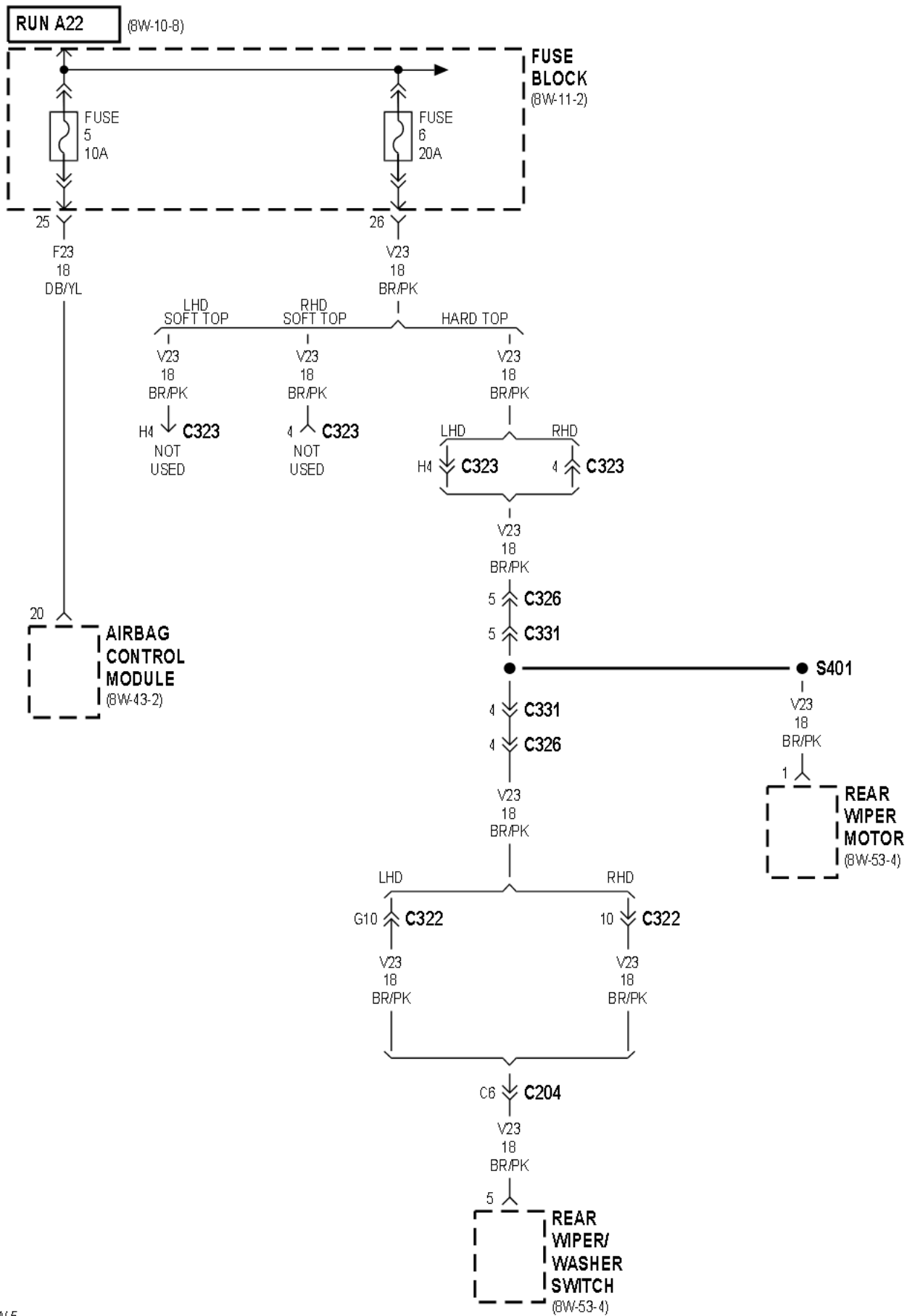
FUSES

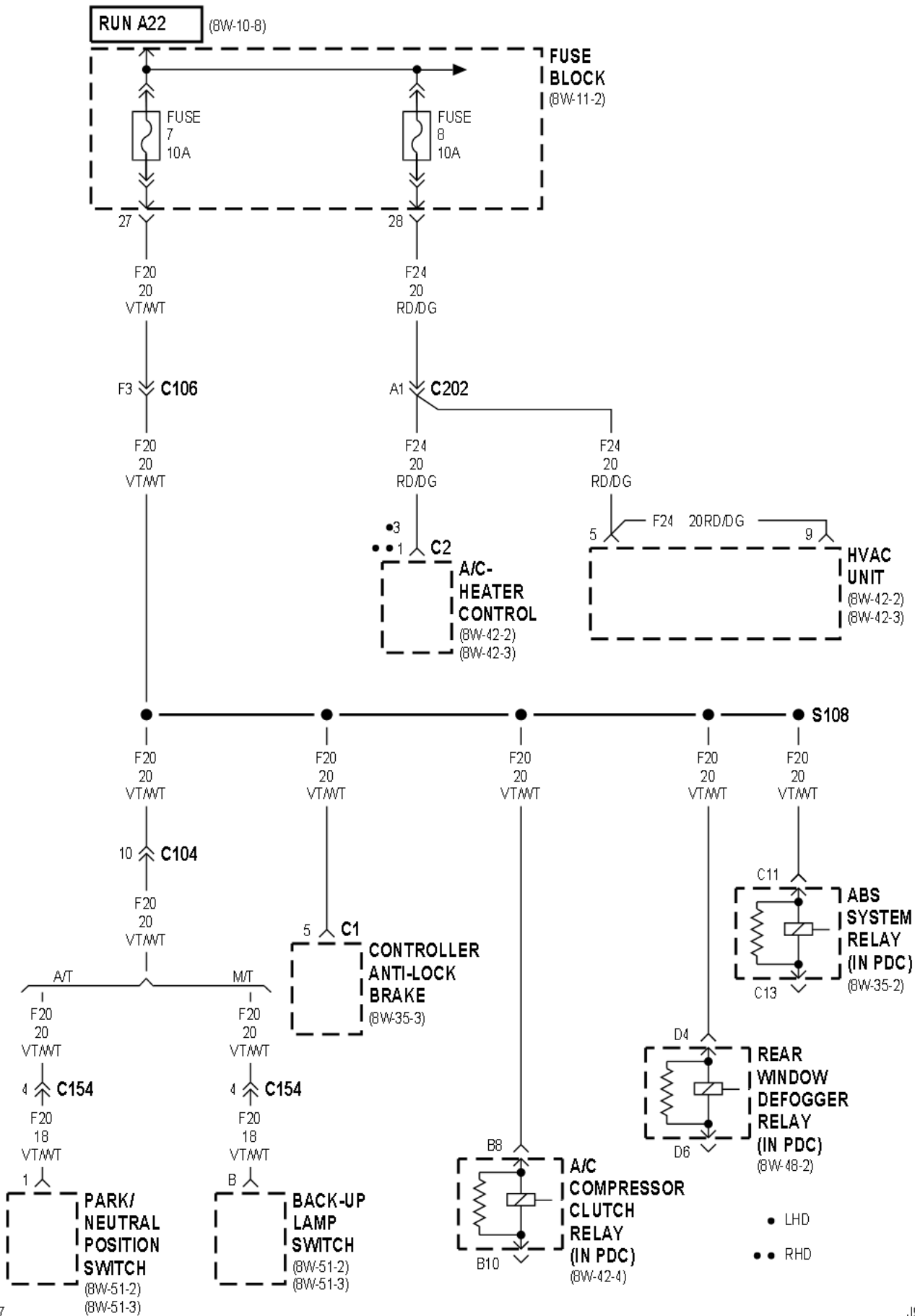
FUSE NO.	AMPS	FUSED CIRCUIT	FEED CIRCUIT
1	20A	F34 18TN/BK	A6 12RD/BK
2	20A	F32 18PK/DB	
3	10A	E2 20OR	E1 18TN
		E2 20OR	
4	10A	Z1 20BK	M23 20YL/BK
		Z1 20BK ● ■	M23 20YL/BK
5	10A	F23 18DB/YL	A22 12BK/OR
6	20A	V23 18BR/PK	
7	10A	F20 20VT/WT	
8	10A	F24 20RD/DG	
9	10A	F14 18LG/YL	A21 14DB
		F14 18LG/YL	
10	10A	G5 20DB/WT	
		G5 20DB/WT	
11	10A	F12 20RD/LG	
12	10A	F15 20DB	
		F15 20DB	
13	10A	L5 20BK/GY	
14	20A	V6 18PK/BK	
15	10A	X12 20PK	
16 ●	10A	L22 20LG/DG	L2 18LG
17	10A	F81 20DB/RD	C15 14BK/WT
18	15A	A18 16RD/BK	F30 12RD/PK
19	20A	F38 16LB	F22 12WT/PK
		F38 16LB	
20 ▲	20A	T1 41 14YL/RD	A41 14 YL

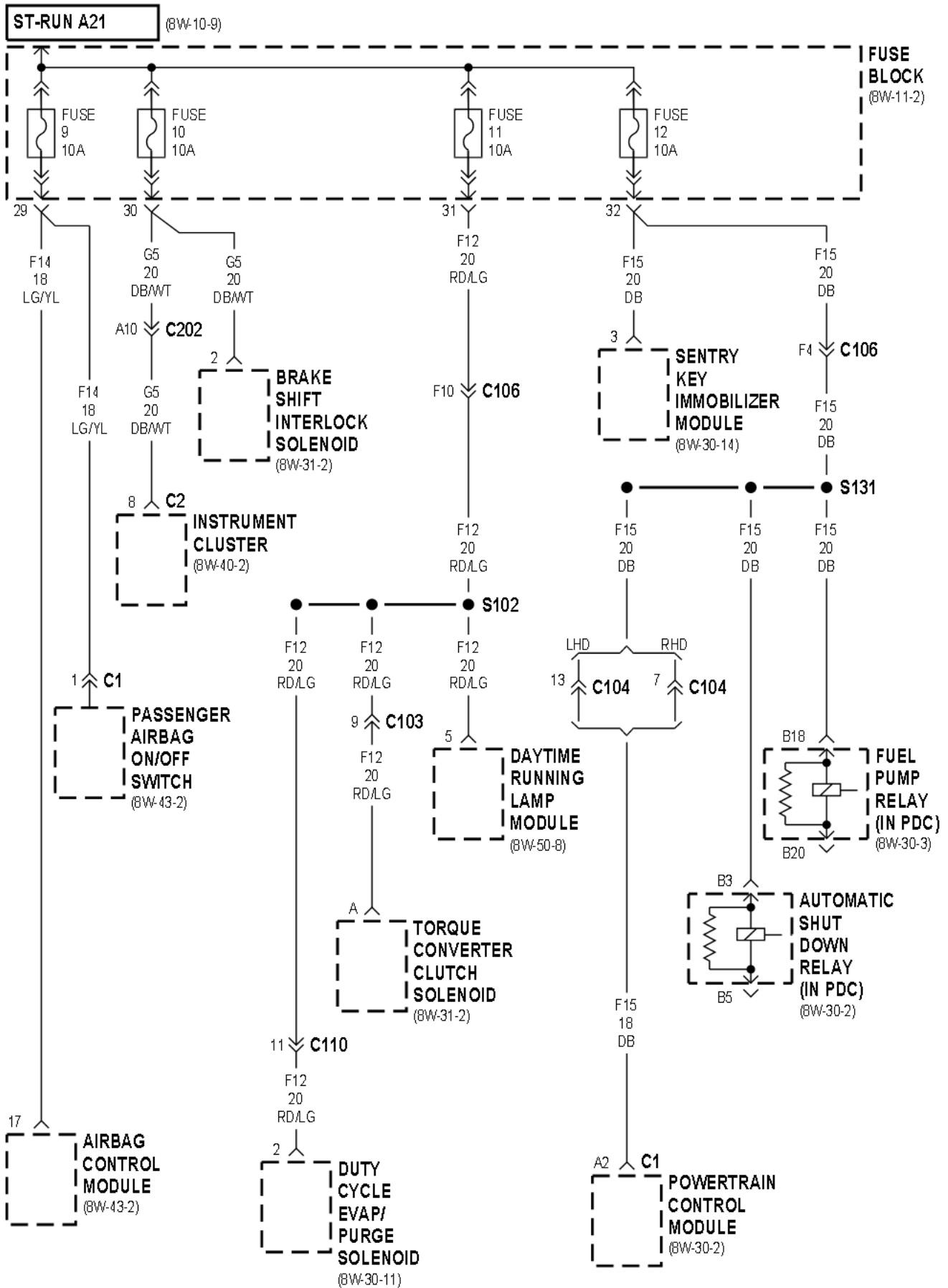
- FRONT FOG LAMPS
- REAR FOG LAMPS
- ▲ A/T

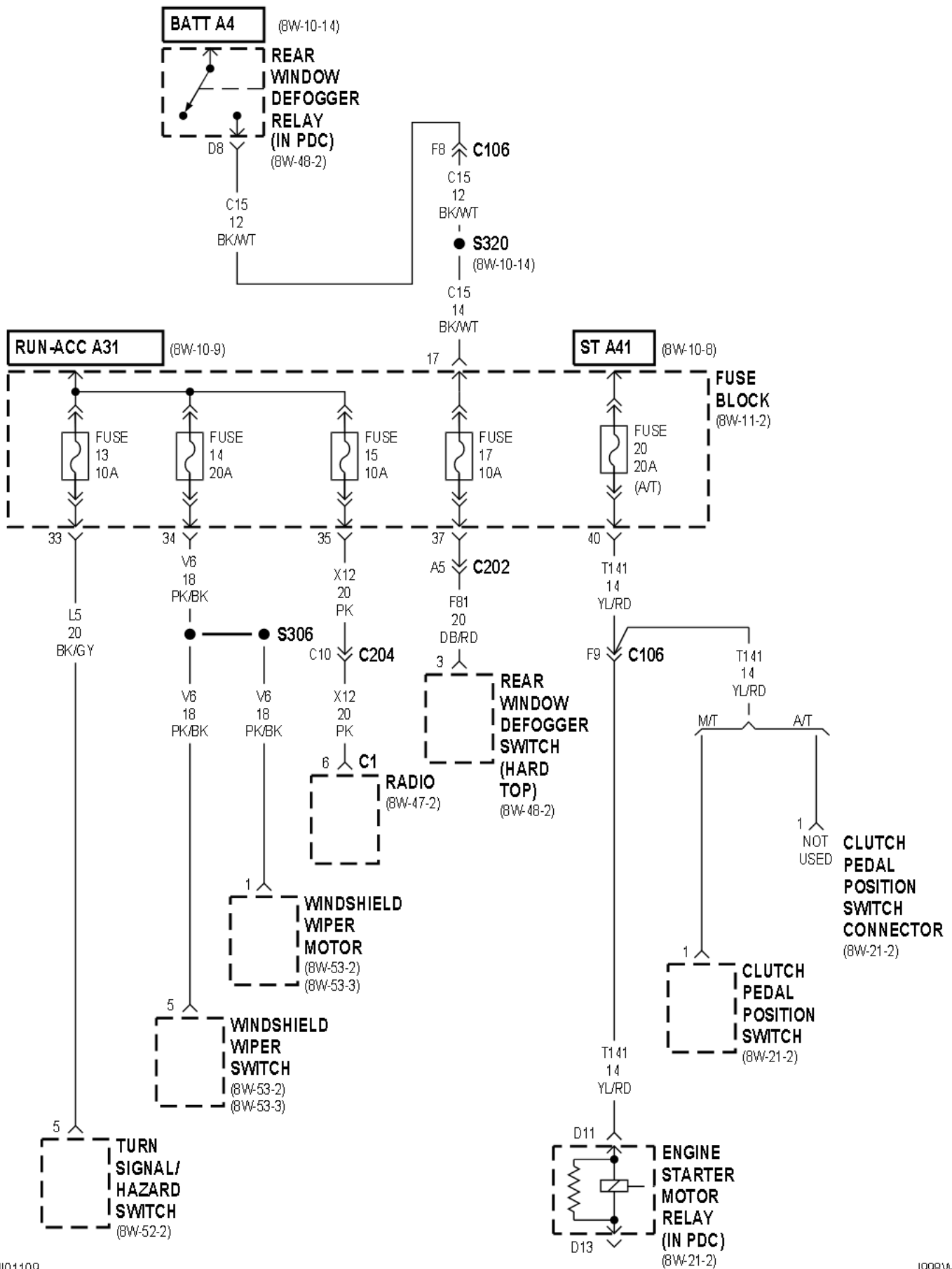


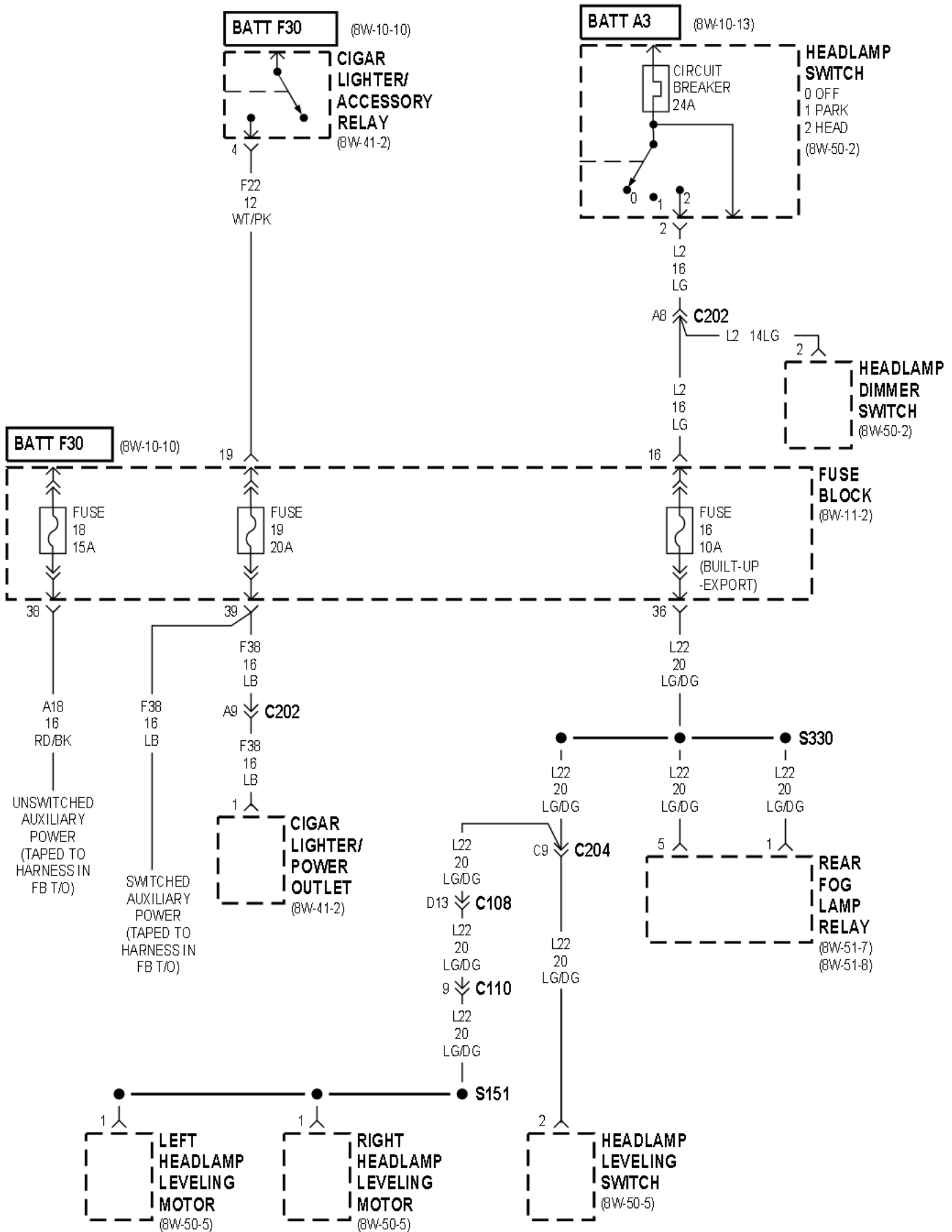






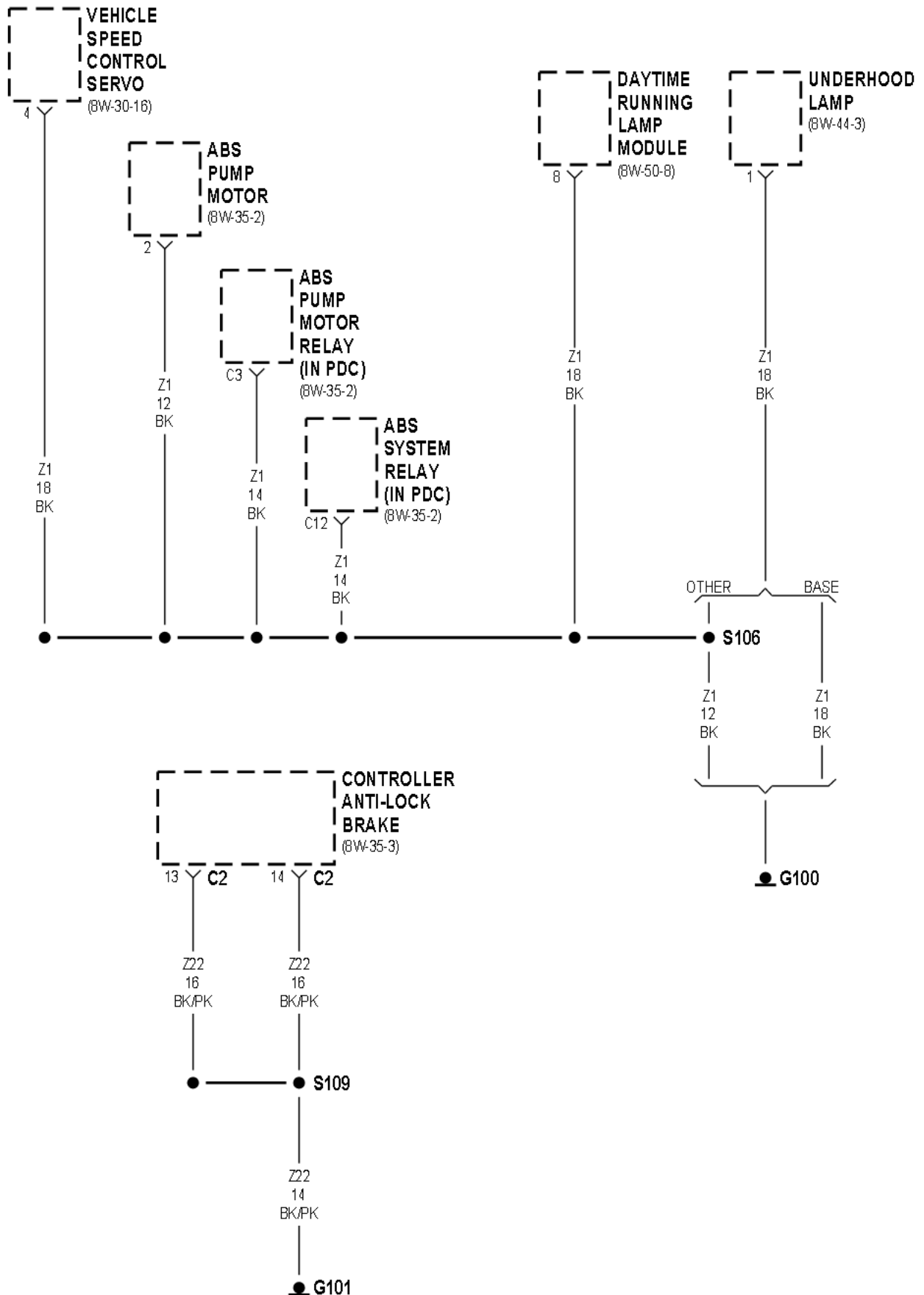


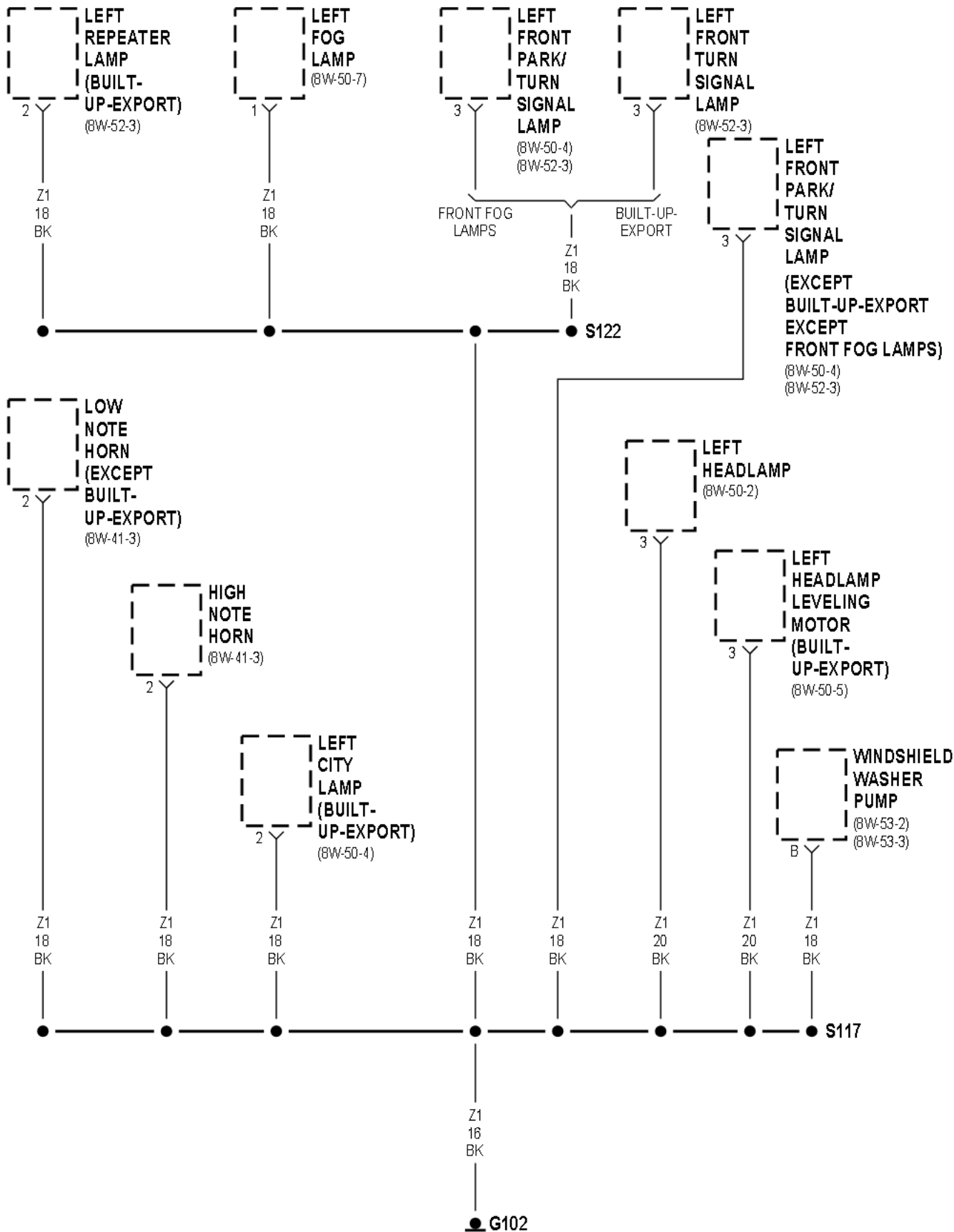


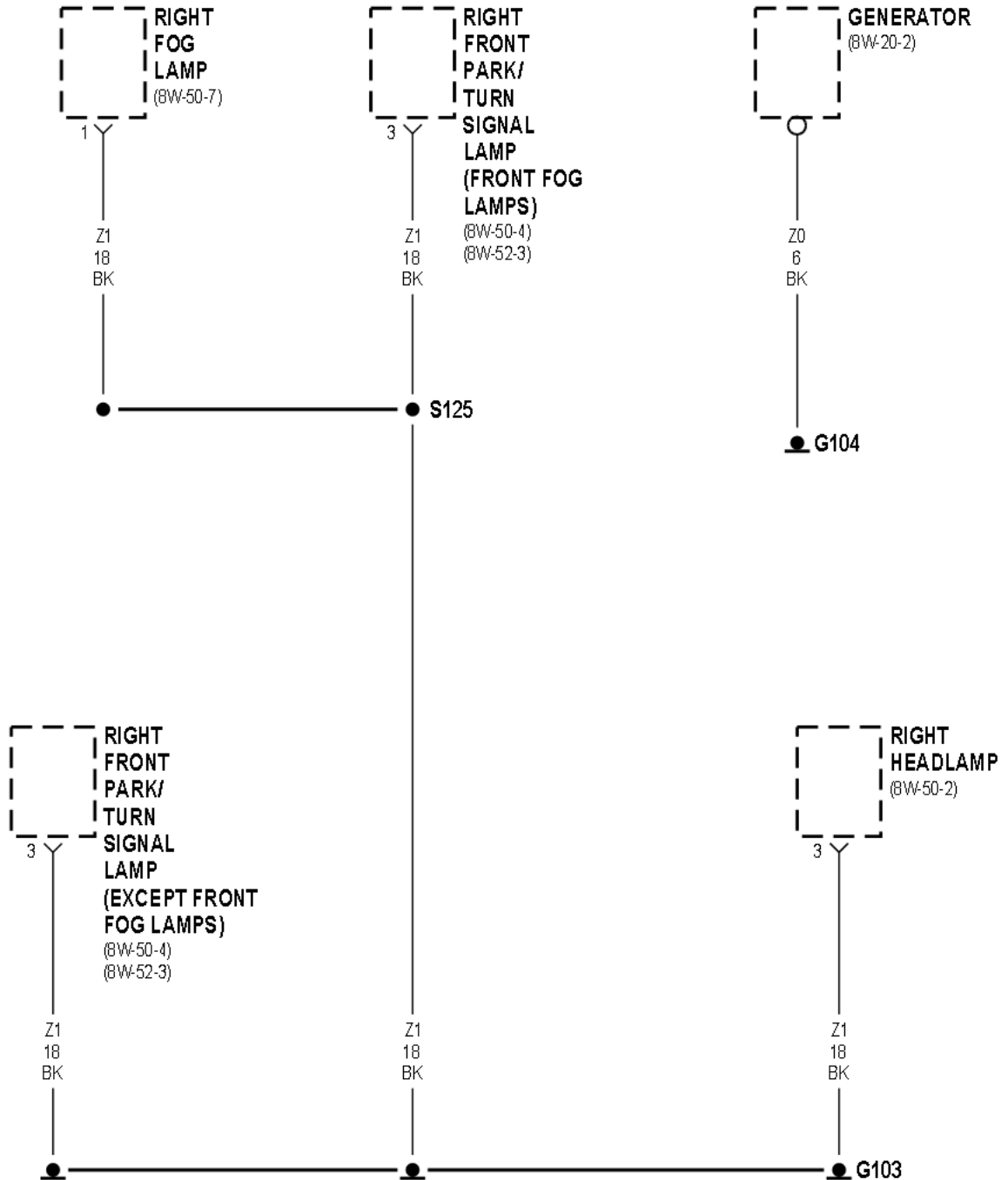


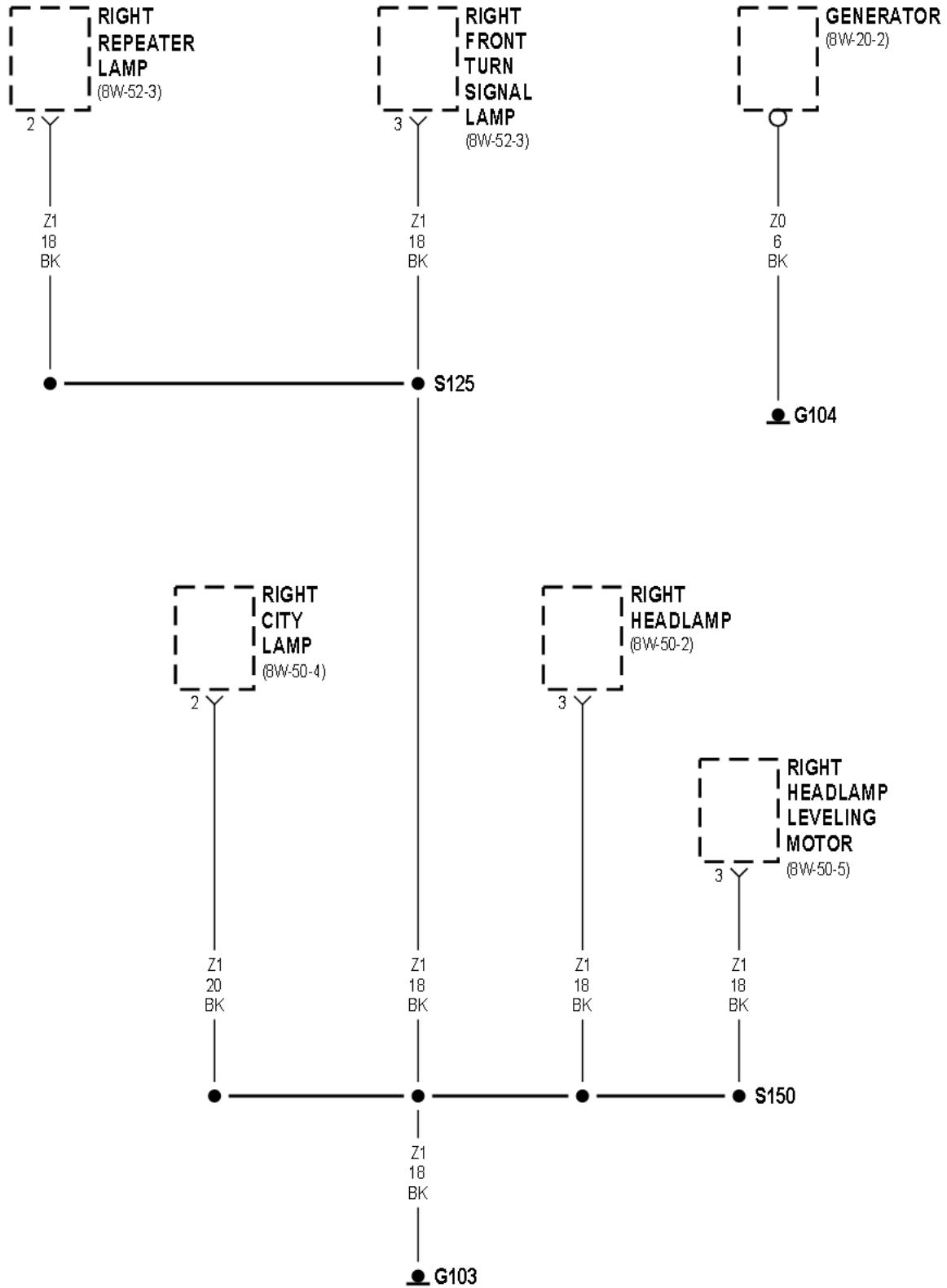
8W-15 GROUND DISTRIBUTION

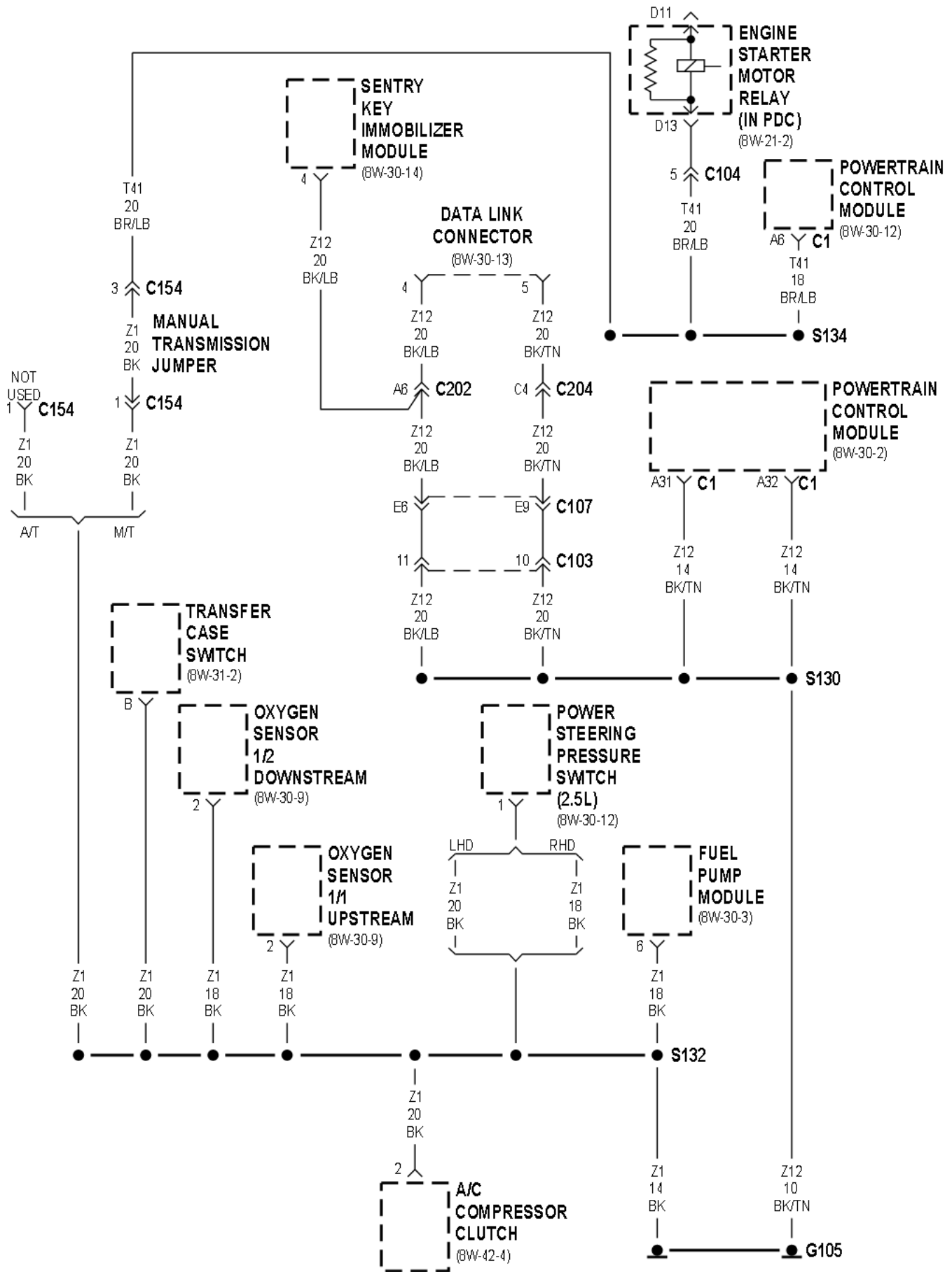
Component	Page	Component	Page
A/C Compressor Clutch	8W-15-6	Ignition Switch	8W-15-9, 10
A/C Heater Control	8W-15-7, 8	Instrument Cluster	8W-15-7, 8
ABS Pump Motor	8W-15-2	Left City Lamp	8W-15-3
ABS Pump Motor Relay	8W-15-2	Left Fog Lamp	8W-15-3
ABS System Relay	8W-15-2	Left Front Park/Turn Signal Lamp	8W-15-3
Airbag Control Module	8W-15-11	Left Front Turn Signal Lamp	8W-15-3
Battery	8W-15-7, 8	Left Headlamp	8W-15-3
Brake Lamp Switch	8W-15-9, 10	Left Headlamp Leveling Motor	8W-15-3
Center High Mounted Stop Lamp	8W-15-11	Left License Lamp	8W-15-11
Cigar Lighter/Accessory Relay	8W-15-9, 10	Left Repeater Lamp	8W-15-3
Cigar Lighter/Power Outlet	8W-15-7, 8	Low Note Horn	8W-15-3
Combination Flasher	8W-15-9, 10	Oxygen Sensor 1/1 Upstream	8W-15-6
Controller Anti-Lock Brake	8W-15-2	Oxygen Sensor 1/2 Downstream	8W-15-6
Data Link Connector	8W-15-6	Passenger Airbag On/Off Switch	8W-15-11
Daytime Running Lamp Module	8W-15-2	Passenger Door Ajar Switch	8W-15-9, 10
Driver Door Ajar Switch	8W-15-9, 10	Power Steering Pressure Switch	8W-15-6
Engine Starter Motor Relay	8W-15-6	Powertrain Control Module	8W-15-6
Fog Lamp Relay No. 1	8W-15-9	PRNDL Lamp	8W-15-9, 10
Fog Lamp Relay No. 2	8W-15-9	Rear Fog Lamp	8W-15-11
Front Fog Lamp Switch	8W-15-7	Rear Fog Lamp Relay	8W-15-9, 10
Fuel Pump Module	8W-15-6	Rear Fog Lamp Switch	8W-15-7, 8
Fuse 4 (FB)	8W-15-9, 10	Rear Washer Pump	8W-15-11
Fuse Block	8W-15-9, 10	Rear Window Defogger	8W-15-11
G100	8W-15-2	Rear Window Defogger Switch	8W-15-7, 8
G101	8W-15-2	Rear Wiper Motor	8W-15-11
G102	8W-15-3	Rear Wiper/Washer Switch	8W-15-7, 8
G103	8W-15-4, 5	Right City Lamp	8W-15-5
G104	8W-15-4, 5	Right Fog Lamp	8W-15-4
G105	8W-15-6	Right Front Park/Turn Signal Lamp	8W-15-4
G106	8W-15-7, 8	Right Front Turn Signal Lamp	8W-15-5
G107	8W-15-7, 8	Right Headlamp	8W-15-4, 5
G200	8W-15-7, 8	Right Headlamp Leveling Motor	8W-15-5
G201	8W-15-7, 8	Right License Lamp	8W-15-11
G202	8W-15-7, 8	Right Repeater Lamp	8W-15-5
G203	8W-15-7, 8	Seat Belt Switch	8W-15-11
G300	8W-15-9, 10	Sentry Key Immobilizer Module	8W-15-6, 10, 11
G301	8W-15-11	Transfer Case Switch	8W-15-6
G302	8W-15-11	Underhood Lamp	8W-15-2
Generator	8W-15-4, 5	Vehicle Speed Control Servo	8W-15-2
Headlamp Leveling Switch	8W-15-7, 8	Windshield Washer Pump	8W-15-3
Headlamp Switch	8W-15-7, 8	Windshield Wiper Motor	8W-15-9, 10
High Note Horn	8W-15-3	Windshield Wiper Switch	8W-15-9, 10
HVAC Unit	8W-15-7, 8		



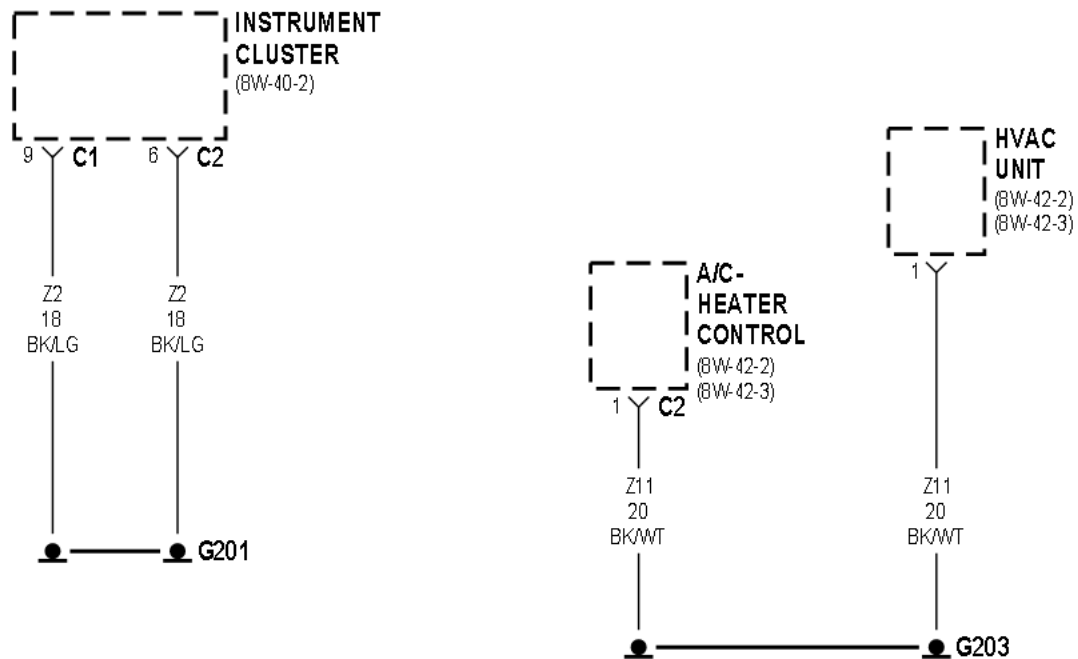
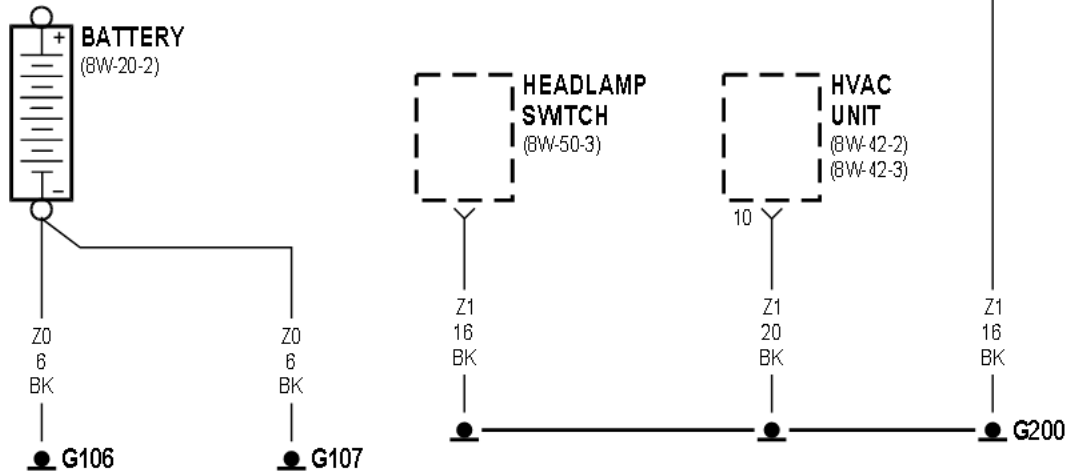
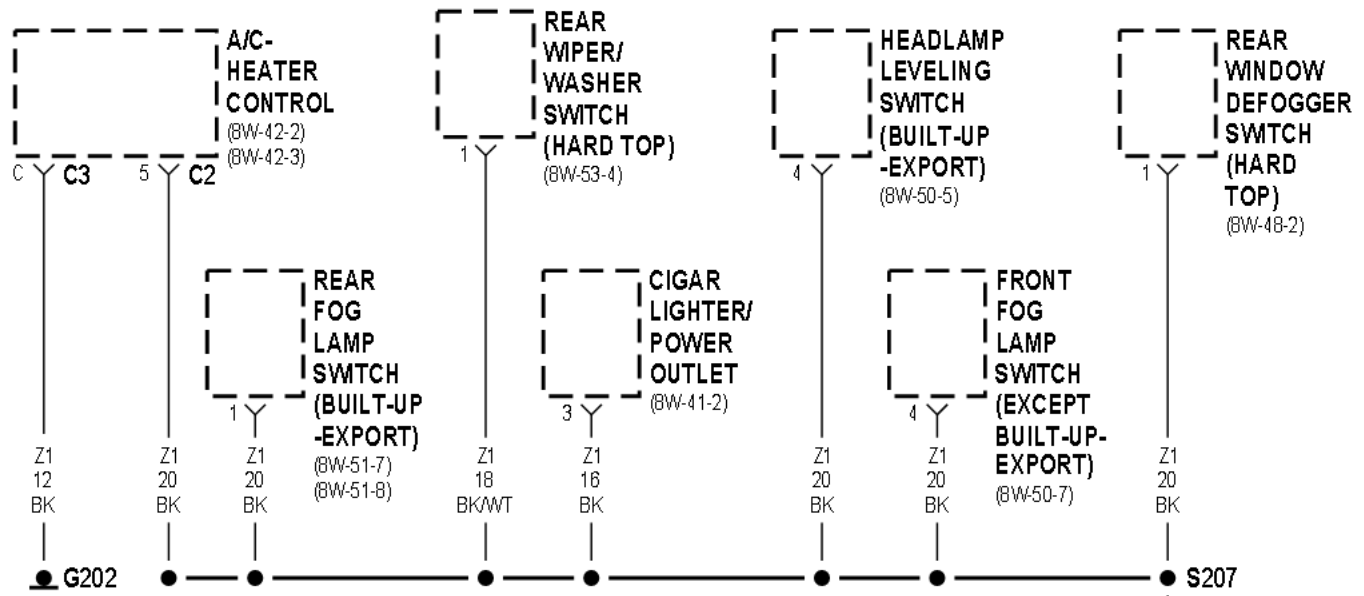




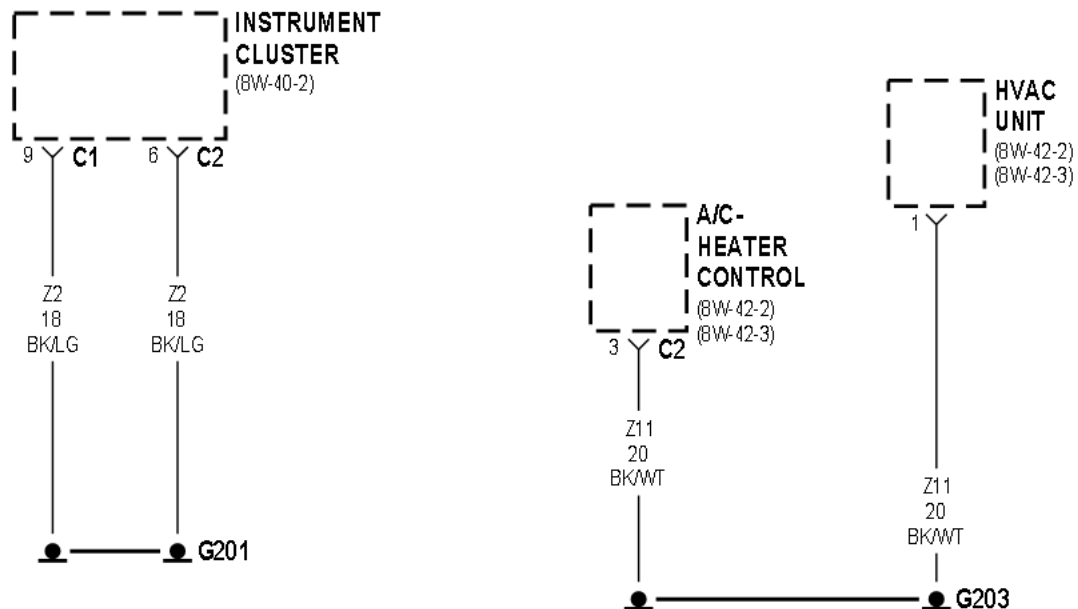
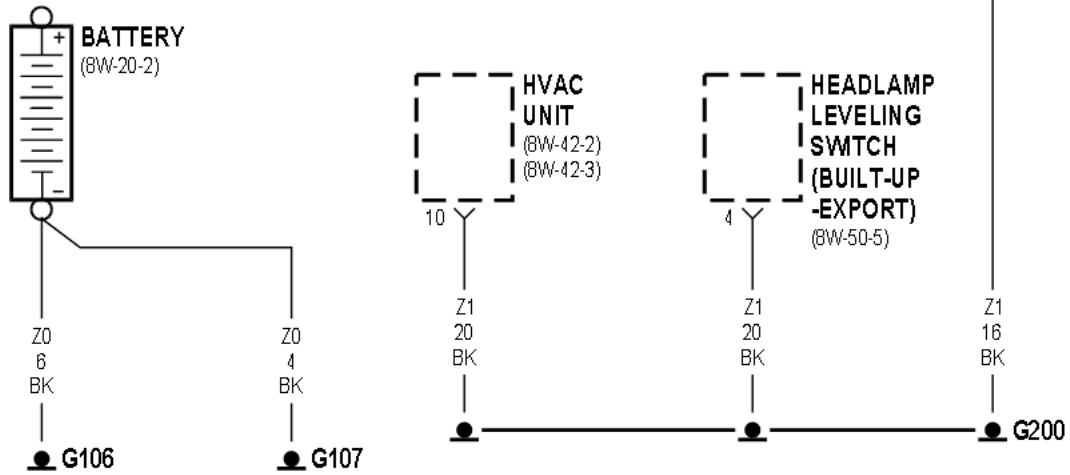
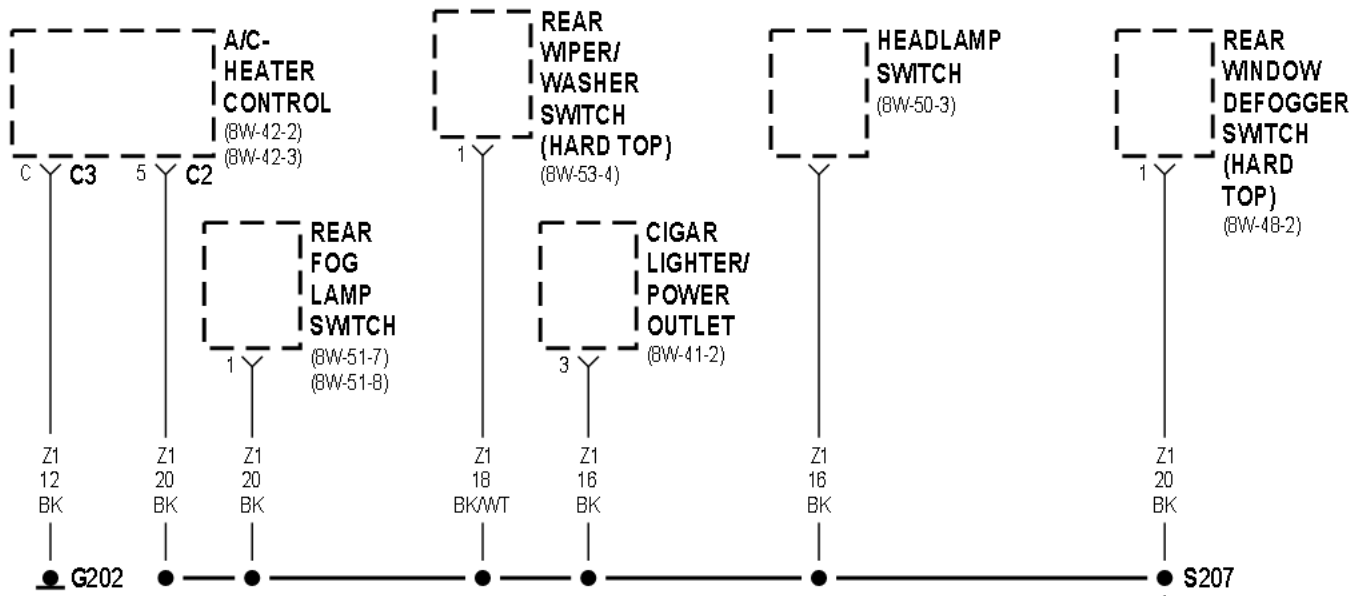




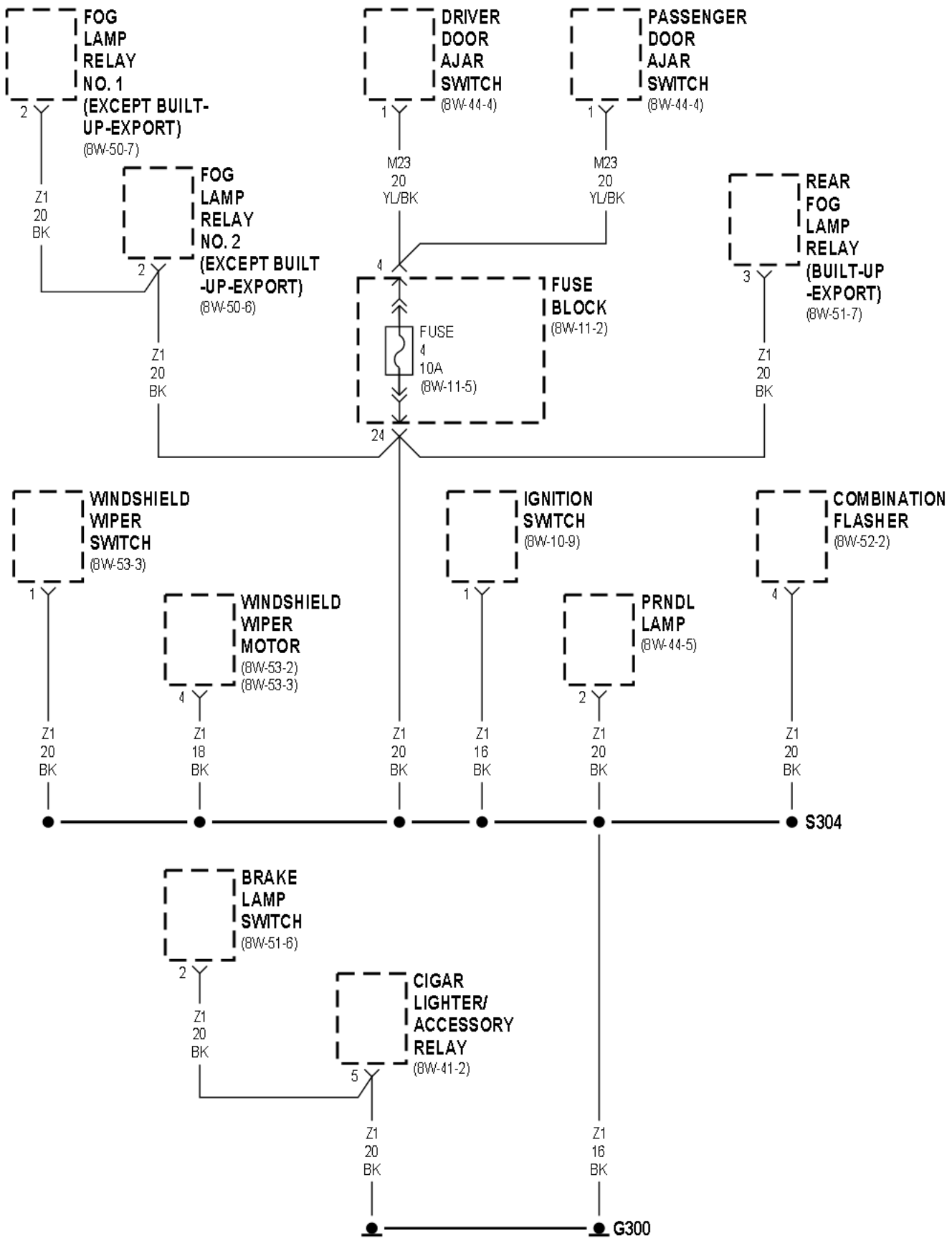
TJ **8W-15 GROUND DISTRIBUTION** LHD **8W-15-7**

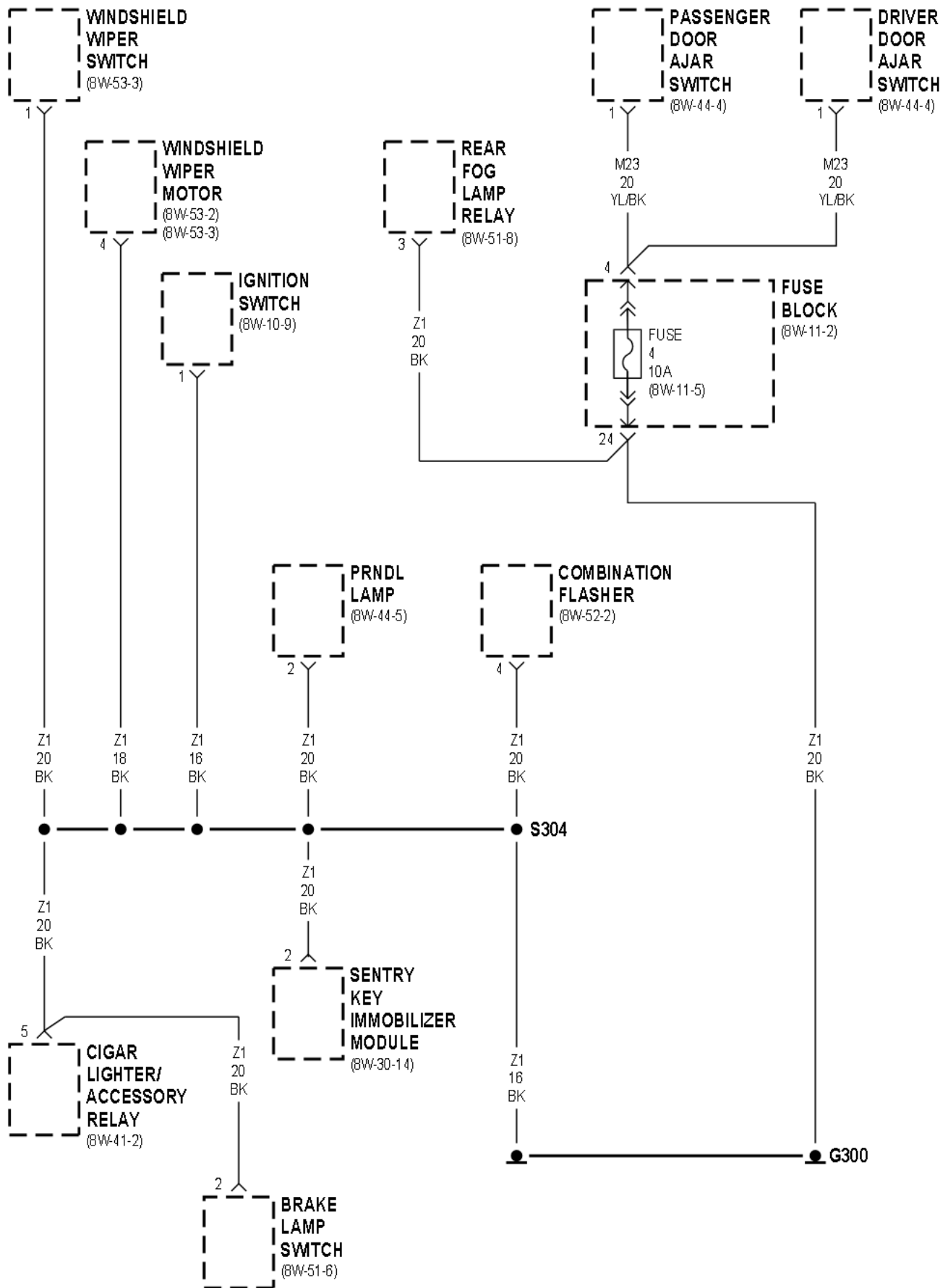


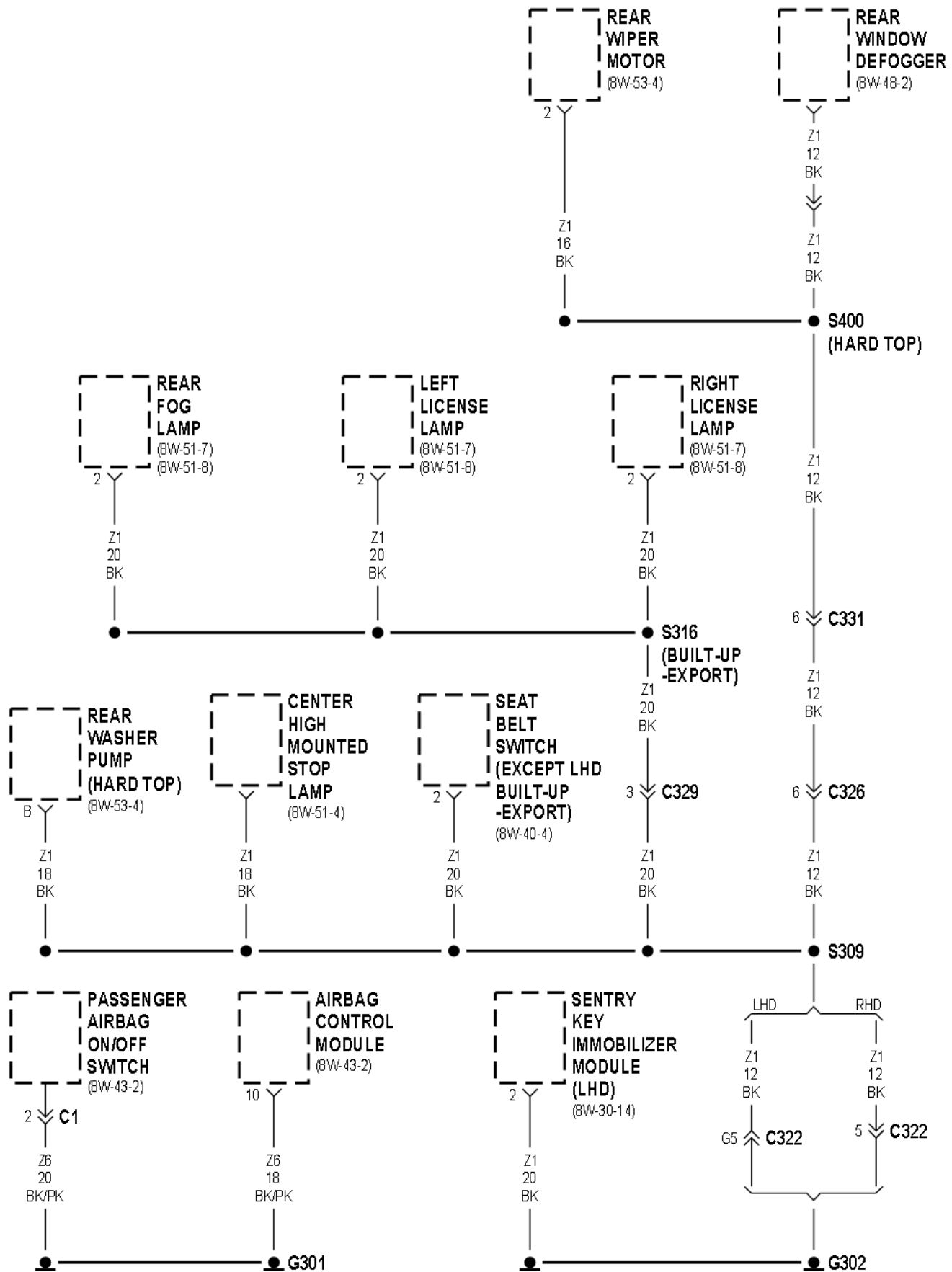
RHD



LHD

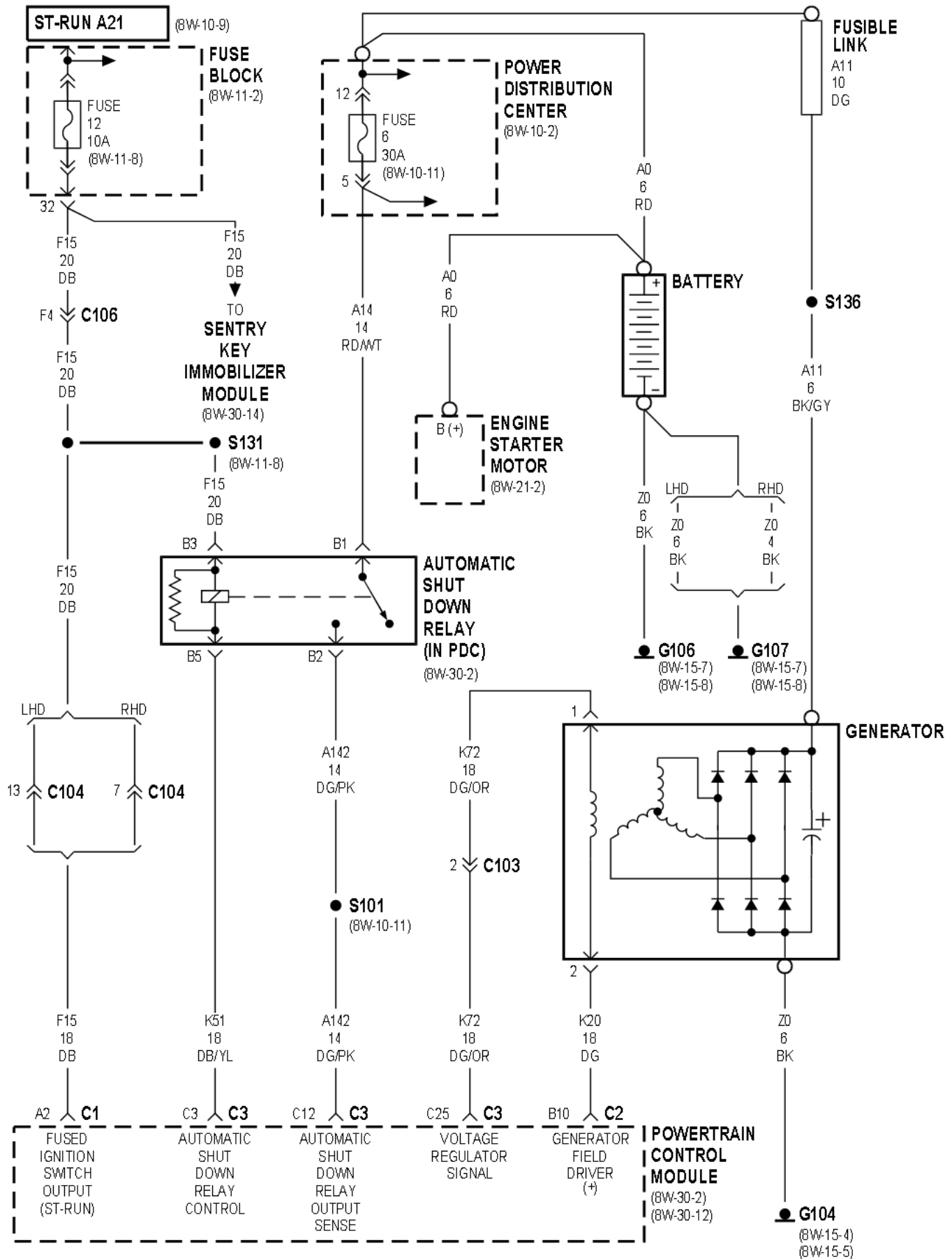






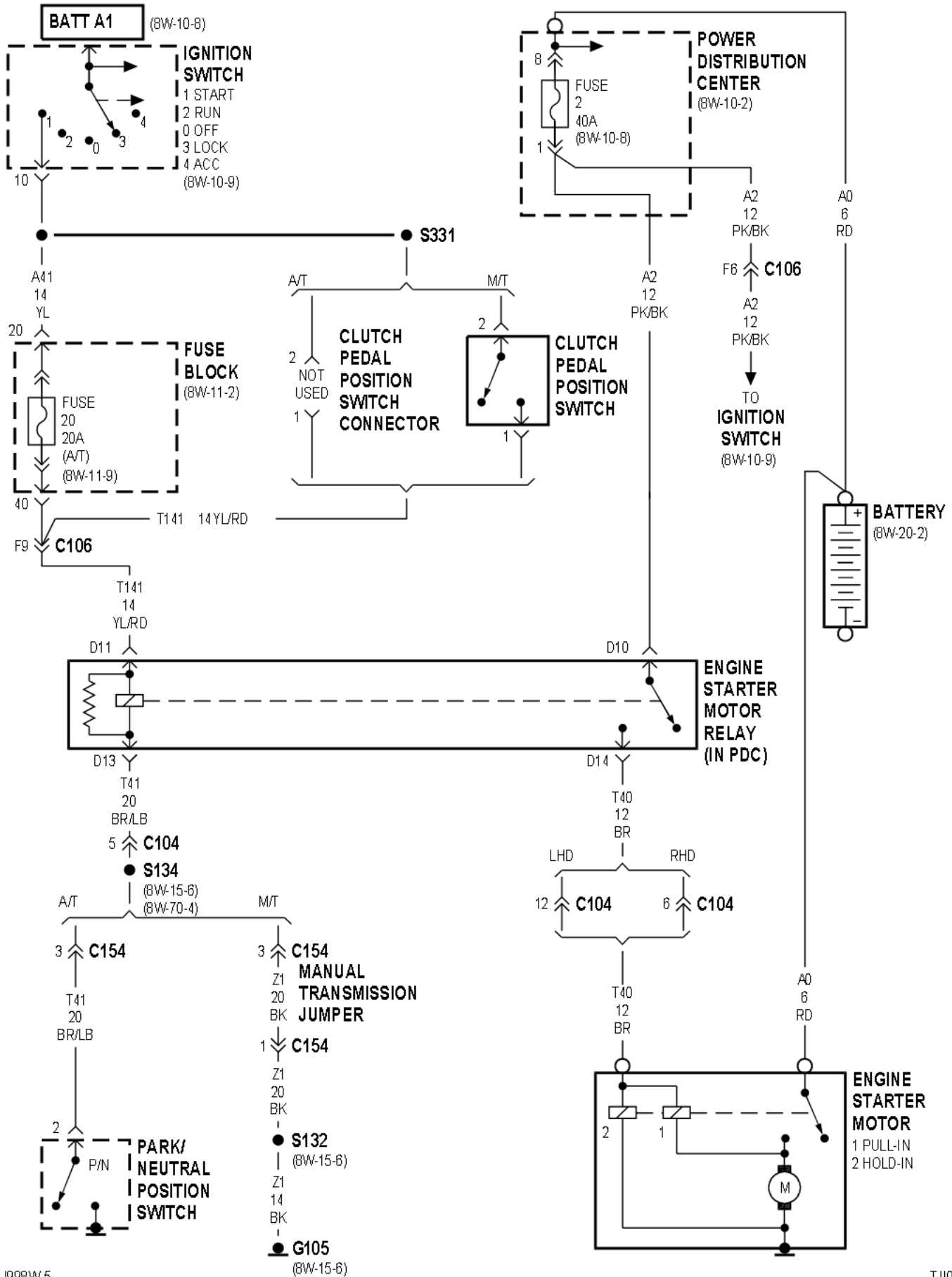
8W-20 CHARGING SYSTEM

Component	Page	Component	Page
Automatic Shut Down Relay	8W-20-2	G104	8W-20-2
Battery	8W-20-2	G106	8W-20-2
Engine Starter Motor	8W-20-2	G107	8W-20-2
Fuse 6 (PDC)	8W-20-2	Generator	8W-20-2
Fuse 12 (FB)	8W-20-2	Power Distribution Center	8W-20-2
Fuse Block	8W-20-2	Powertrain Control Module	8W-20-2
Fusible Link	8W-20-2	Sentry Key Immobilizer Module	8W-20-2



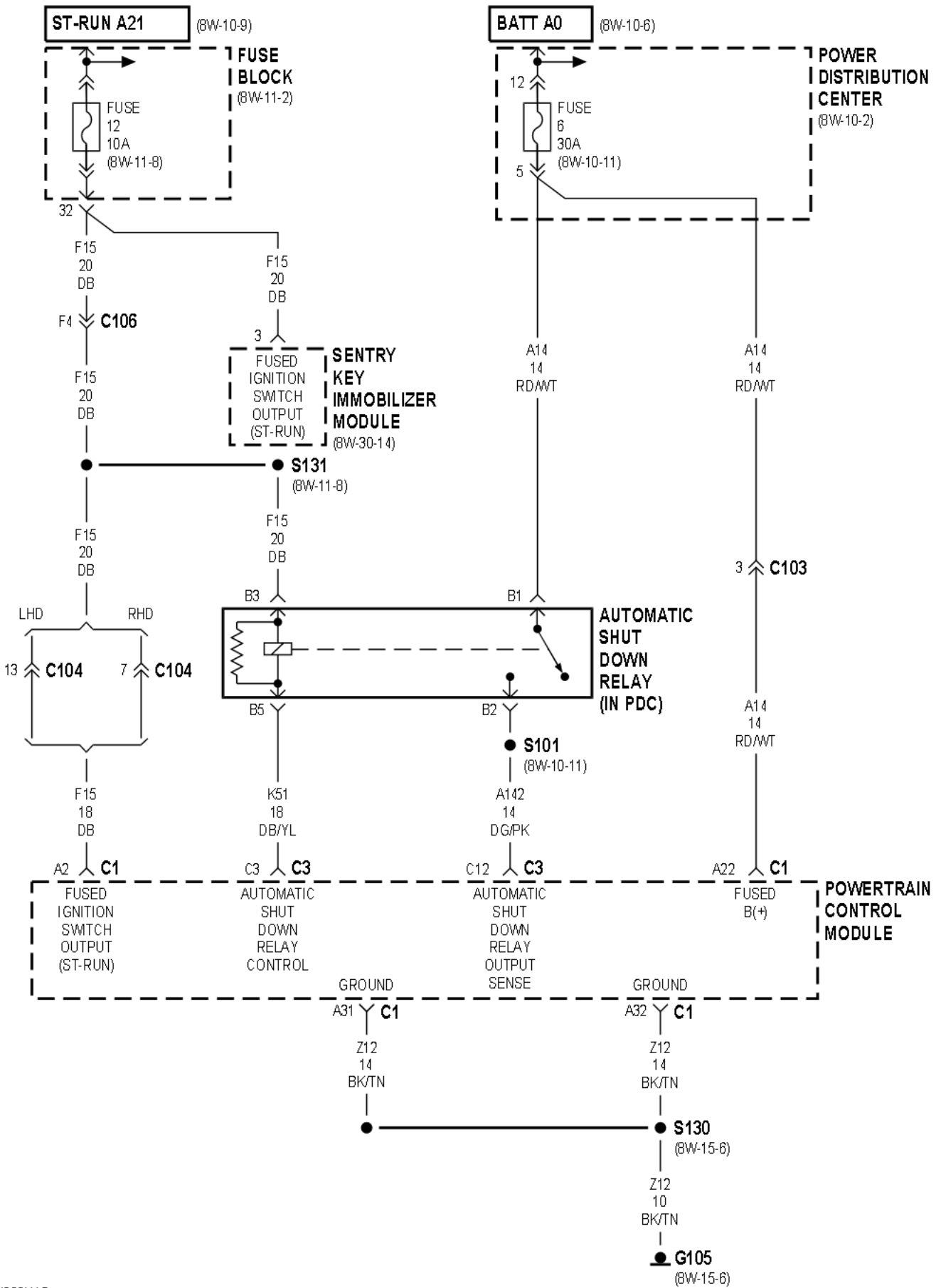
8W-21 STARTING SYSTEM

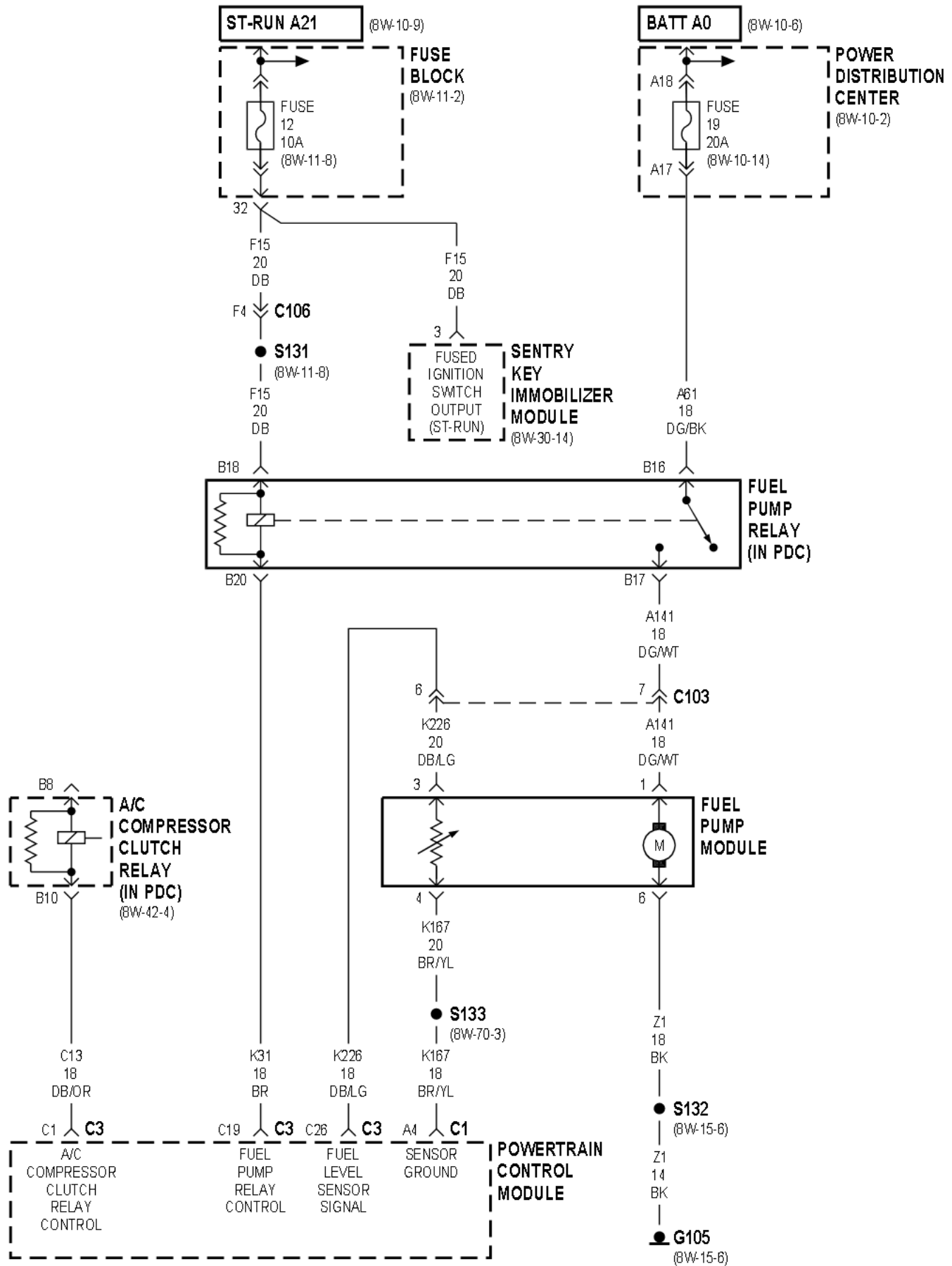
Component	Page	Component	Page
Battery	8W-21-2	Fuse Block	8W-21-2
Clutch Pedal Position Switch	8W-21-2	G105	8W-21-2
Clutch Pedal Position Switch Connector ...	8W-21-2	Ignition Switch	8W-21-2
Engine Starter Motor	8W-21-2	Manual Transmission Jumper	8W-21-2
Engine Starter Motor Relay	8W-21-2	Park/Neutral Position Switch	8W-21-2
Fuse 2 (PDC)	8W-21-2	Power Distribution Center	8W-21-2
Fuse 20 (FB)	8W-21-2		

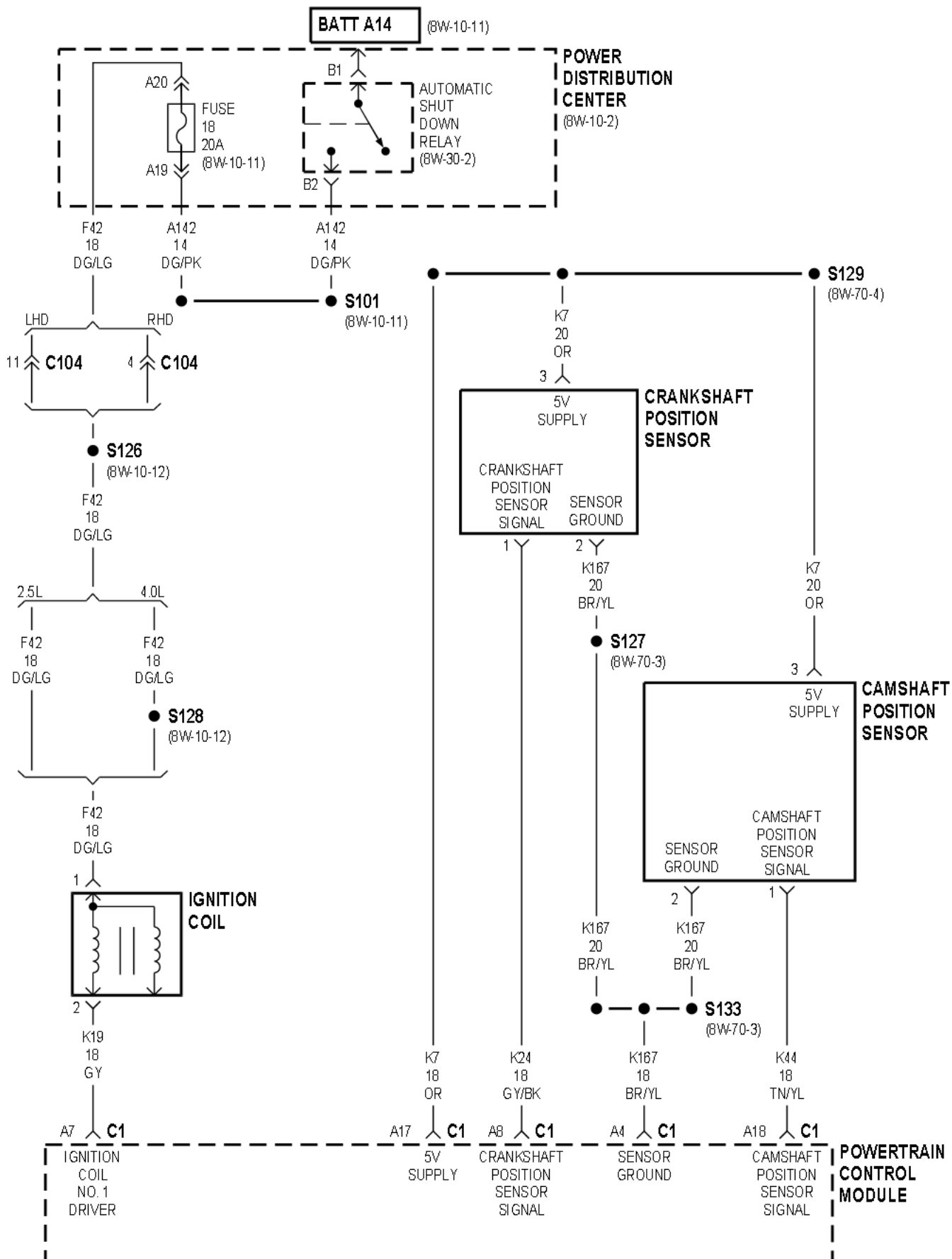


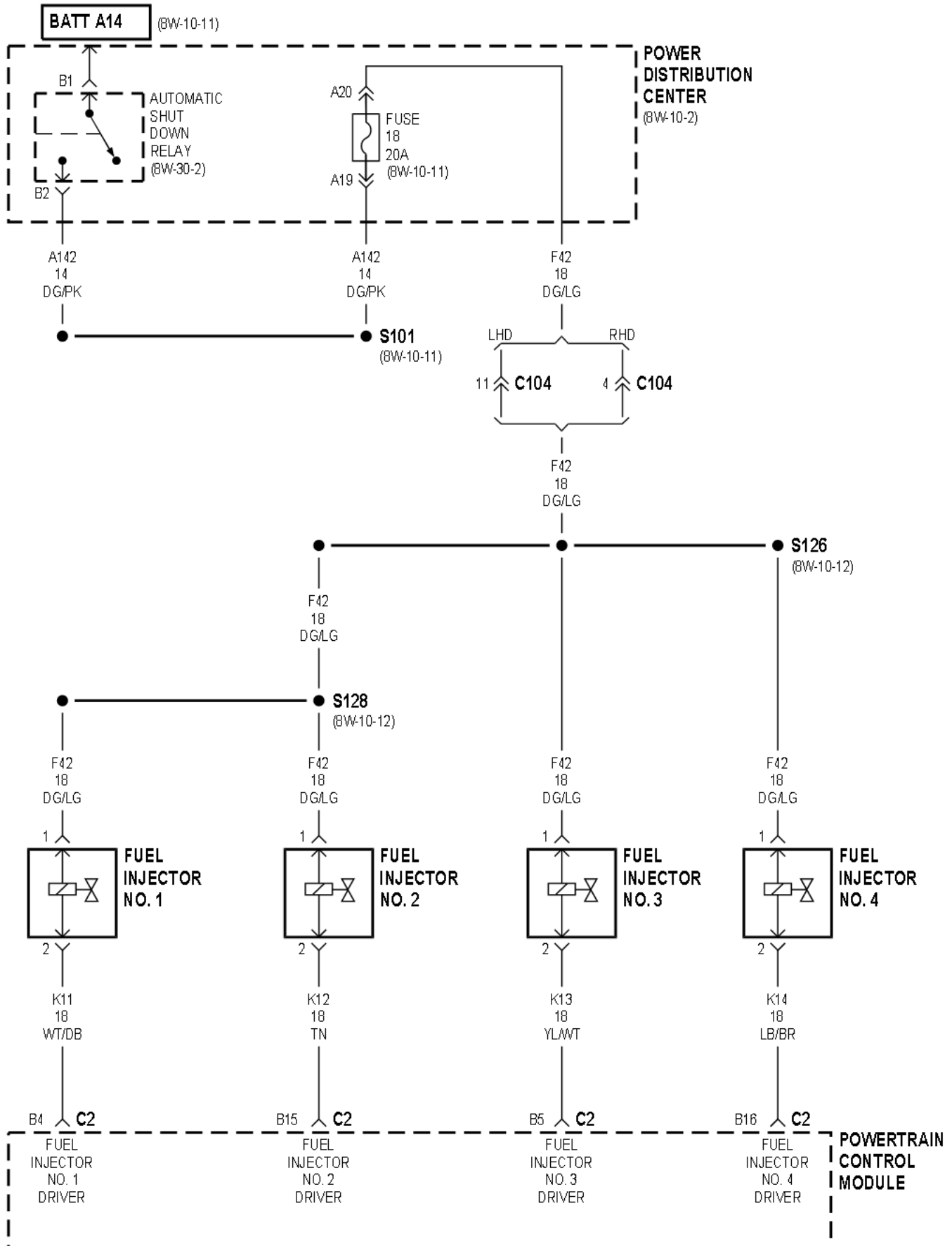
8W-30 FUEL/IGNITION SYSTEMS

Component	Page	Component	Page
A/C Compressor Clutch Relay	8W-30-3	Fuse Block	8W-30-2, 3, 11, 14
A/C Heater Control	8W-30-12	G100	8W-30-16
A/C High Pressure Switch	8W-30-12	G105	8W-30-2, 3, 9, 12, 13, 14
A/C Low Pressure Switch	8W-30-12	G300	8W-30-12, 14, 16
Airbag Control Module	8W-30-14	G302	8W-30-14
Automatic Shut Down Relay	8W-30-2, 4, 5, 6, 9	Generator	8W-30-12
Battery Temperature Sensor	8W-30-10, 15	Headlamp Switch	8W-30-14
Brake Lamp Switch	8W-30-12, 16	Horn Relay	8W-30-15
Brake Shift Interlock Solenoid	8W-30-12, 16	Horn Switch	8W-30-15
Camshaft Position Sensor	8W-30-4	Idle Air Control Motor	8W-30-11
Cigar Lighter/Accessory Relay	8W-30-12, 16	Ignition Coil	8W-30-4
Clockspring	8W-30-15	Instrument Cluster	8W-30-14
Controller Anti-Lock Brake	8W-30-13	Intake Air Temperature Sensor	8W-30-7, 8
Crankshaft Position Sensor	8W-30-4	Leak Detection Pump	8W-30-9, 11
Data Link Connector	8W-30-13, 14	Left Speed Control Switch Pod	8W-30-15
Daytime Running Lamp Module	8W-30-10	Manifold Absolute Pressure Sensor	8W-30-7, 8
Duty Cycle Evap/Purge Solenoid	8W-30-11	Manual Transmission Jumper	8W-30-12
Engine Coolant Temperature Sensor	8W-30-7, 8	Oxygen Sensor 1/1 Upstream	8W-30-9
Engine Oil Pressure Sensor	8W-30-7, 8, 10	Oxygen Sensor 1/2 Downstream	8W-30-9
Fuel Injector No. 1	8W-30-5, 6	Park/Neutral Position Switch	8W-30-12
Fuel Injector No. 2	8W-30-5, 6	Power Distribution Center	8W-30-2, 3, 4, 5, 6, 9, 11, 13, 15
Fuel Injector No. 3	8W-30-5, 6	Power Steering Pressure Switch	8W-30-12
Fuel Injector No. 4	8W-30-5, 6	Powertrain Control Module	8W-30-2, 3, 4, 5, 6, 7, 8, 9, 10, 11, 12, 13, 14, 15, 16
Fuel Injector No. 5	8W-30-6	Right Speed Control Switch Pod	8W-30-15
Fuel Injector No. 6	8W-30-6	Sentry Key Immobilizer Module	8W-30-2, 3, 13, 14
Fuel Pump Module	8W-30-3	Sound Bar Dome Lamp	8W-30-13
Fuel Pump Relay	8W-30-3	Throttle Position Sensor	8W-30-10
Fuse 1 (FB)	8W-30-14	Torque Converter Clutch Solenoid	8W-30-11
Fuse 6 (PDC)	8W-30-2	Underhood Lamp	8W-30-13
Fuse 11 (FB)	8W-30-11	Vehicle Speed Control Servo	8W-30-16
Fuse 12 (FB)	8W-30-2, 3, 14	Vehicle Speed Sensor	8W-30-10
Fuse 18 (PDC)	8W-30-4, 5, 6		
Fuse 19 (PDC)	8W-30-3		
Fuse 20 (PDC)	8W-30-13		
Fuse 27 (PDC)	8W-30-9, 11		

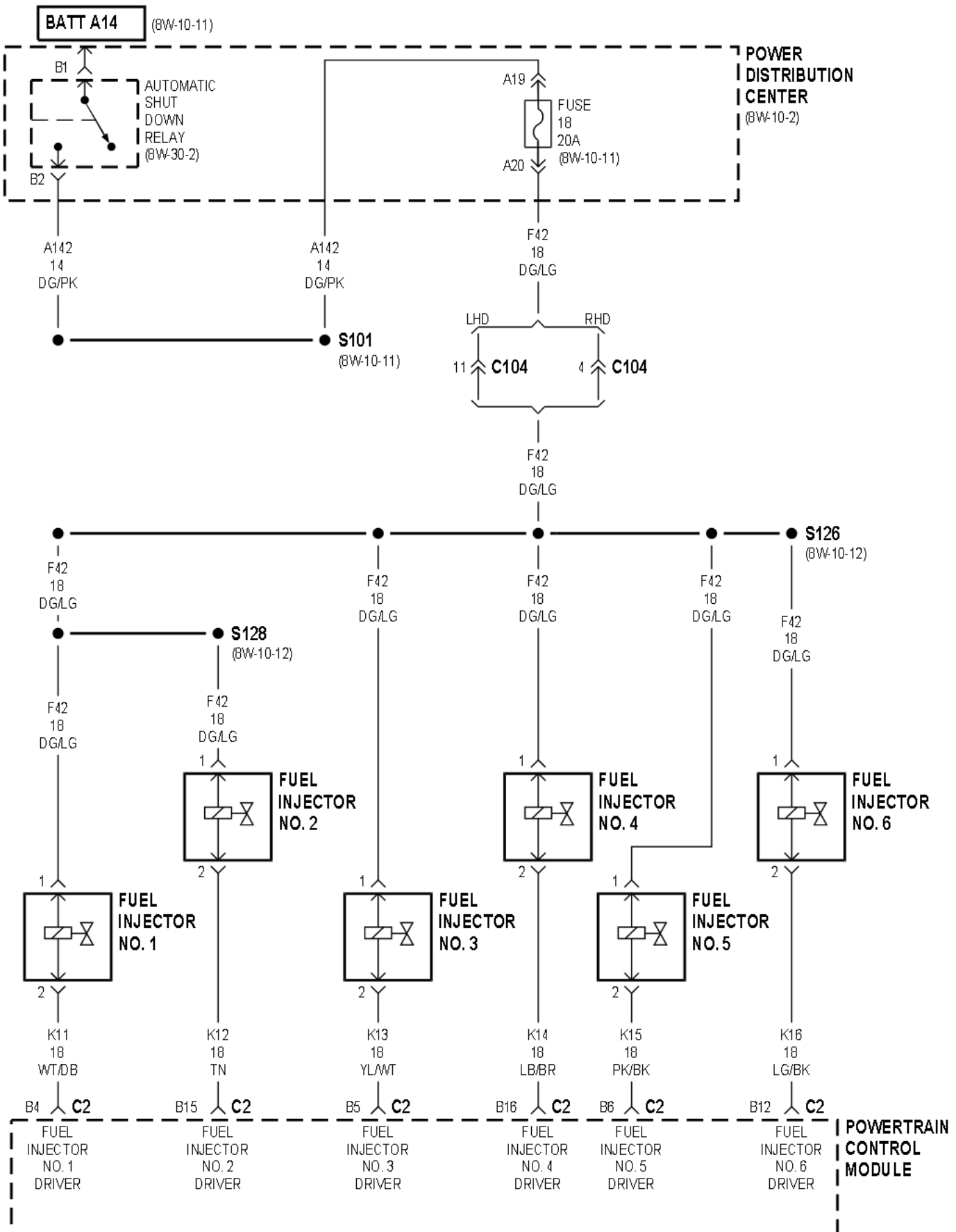


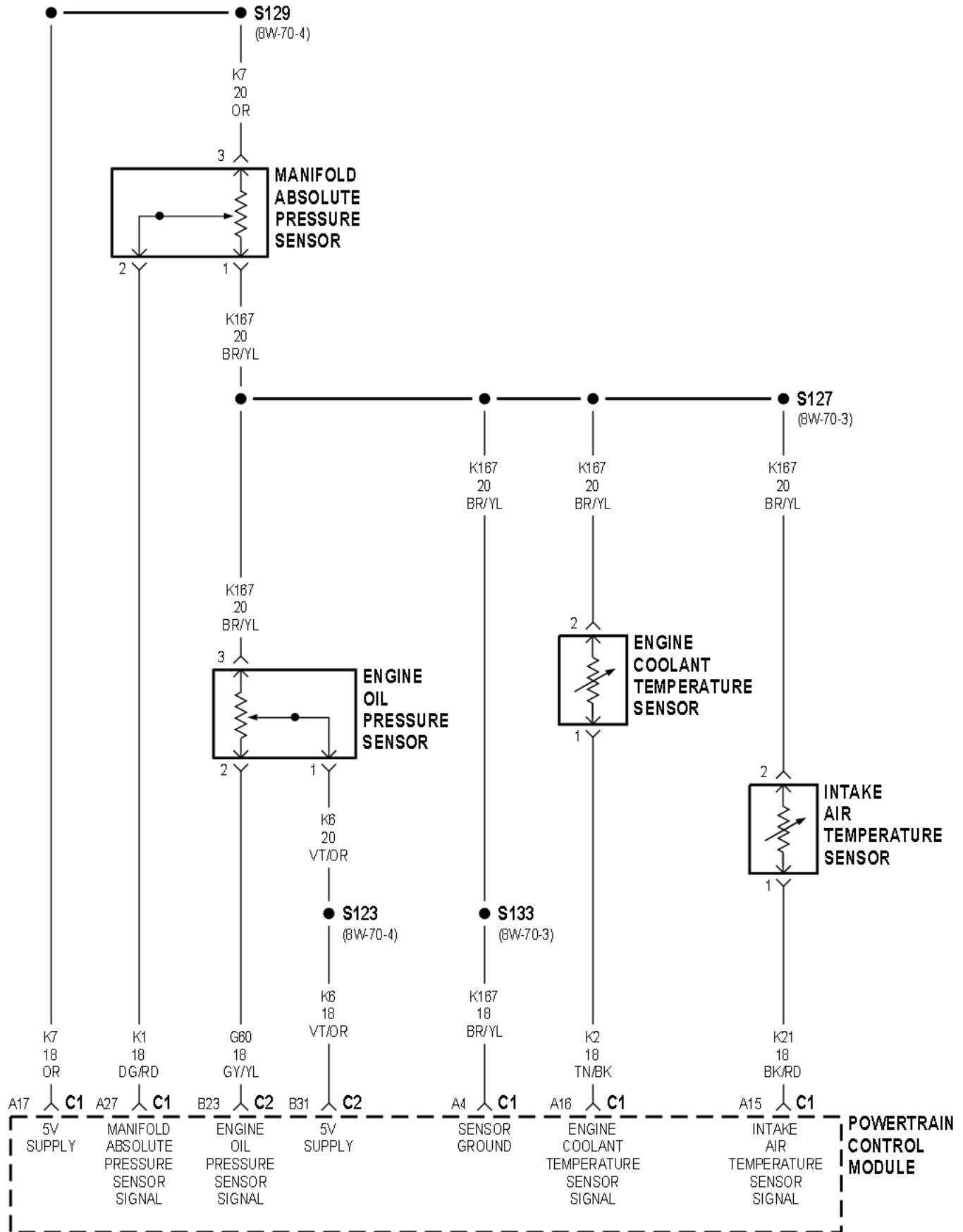


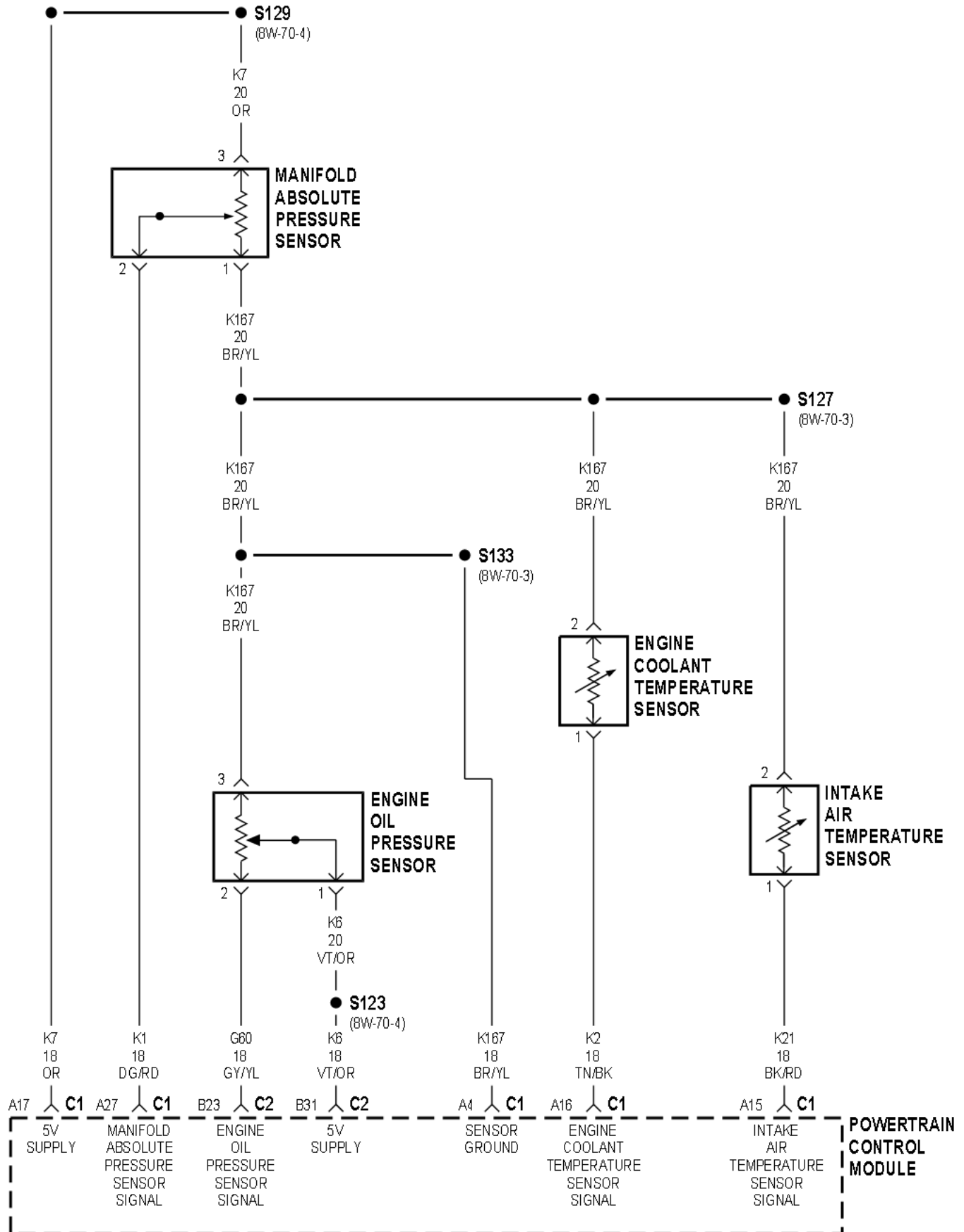


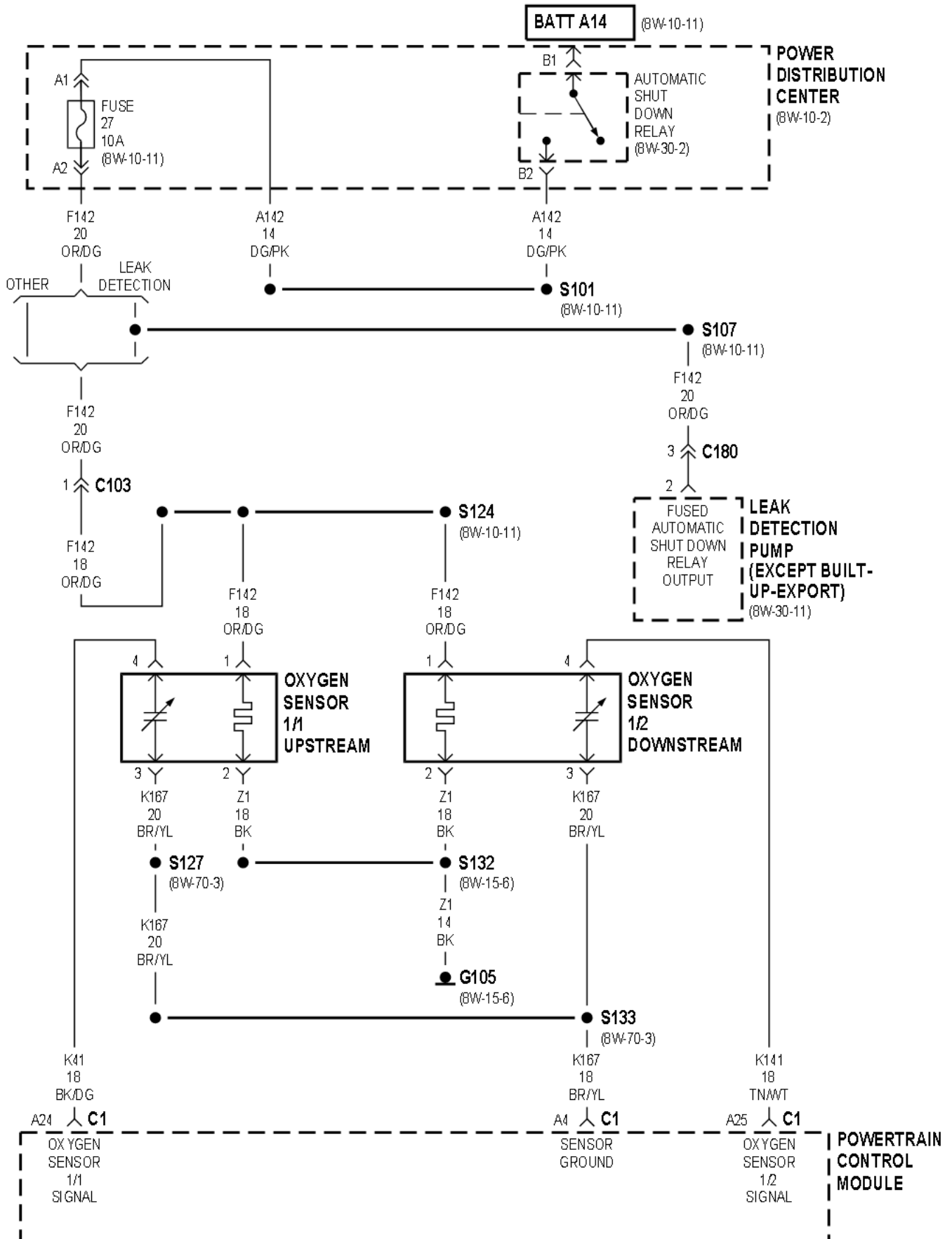


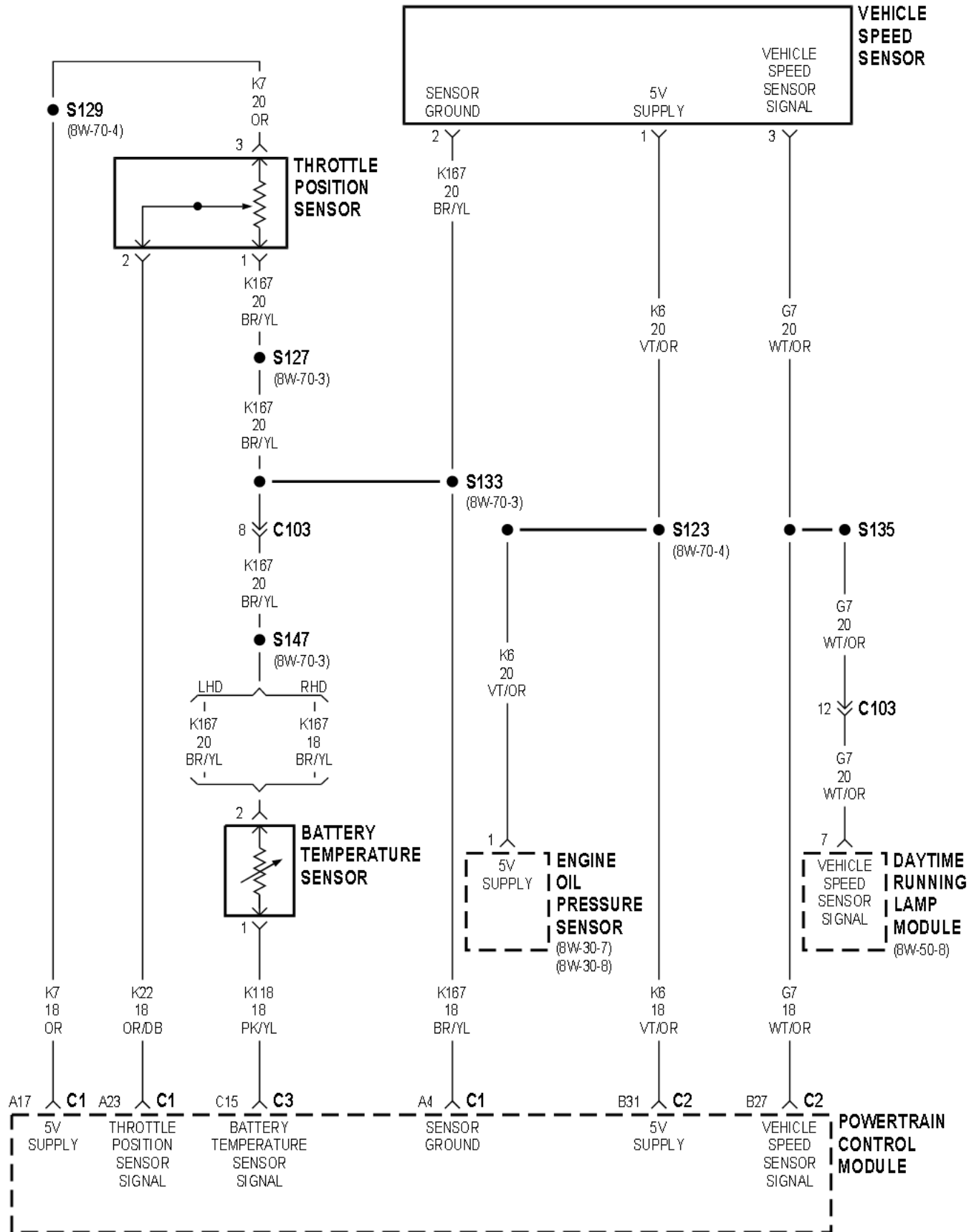
4.0L

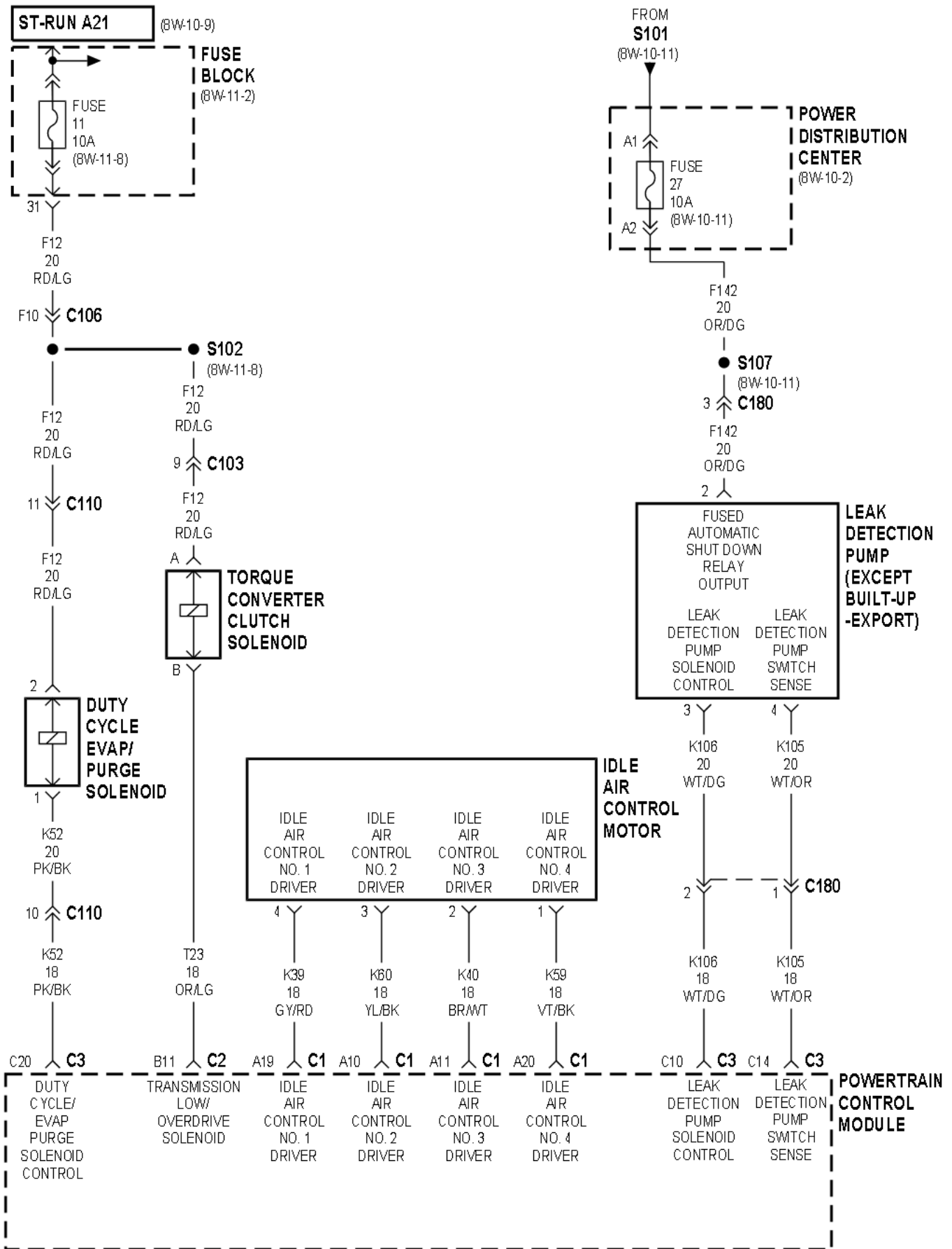


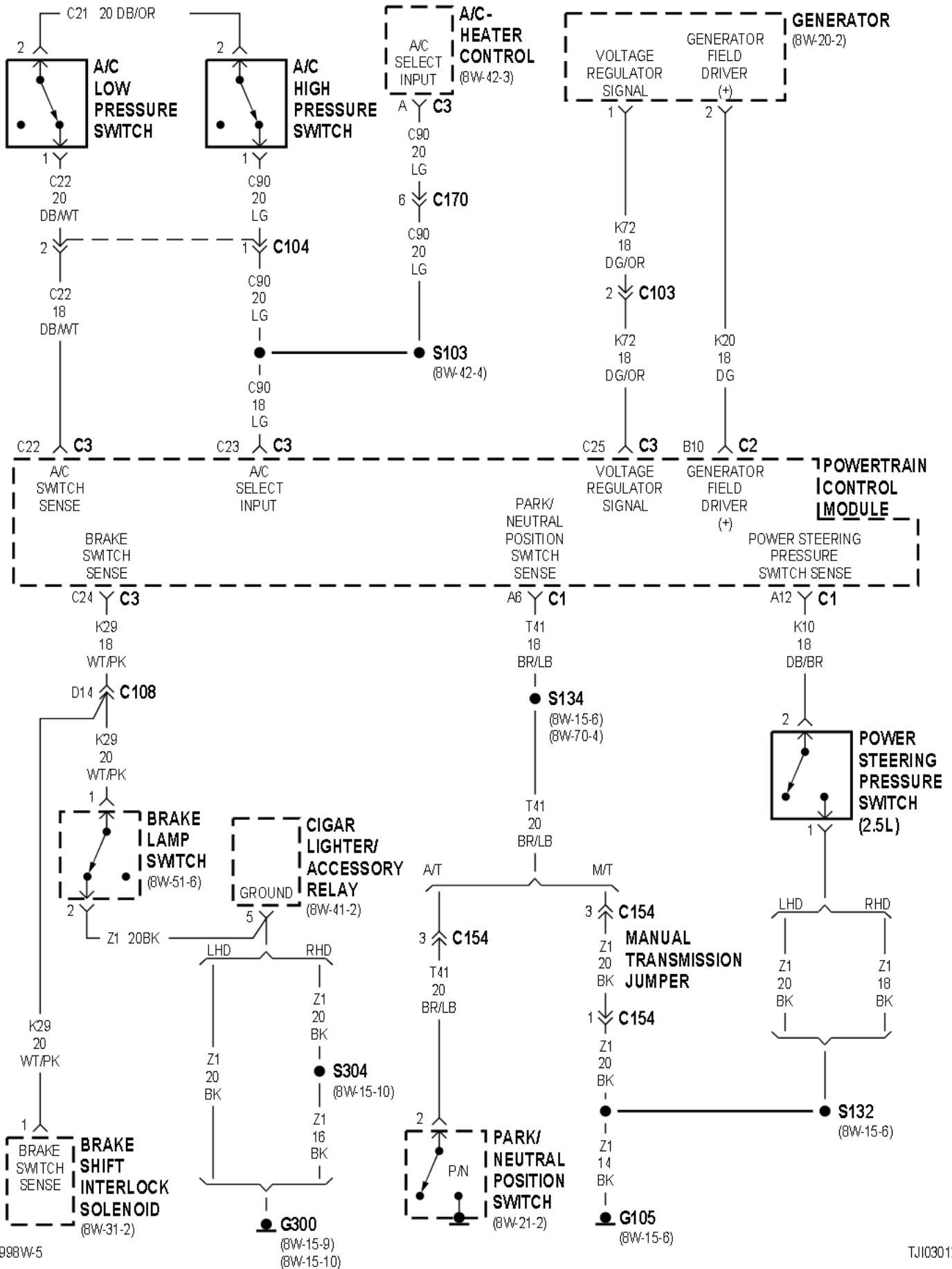


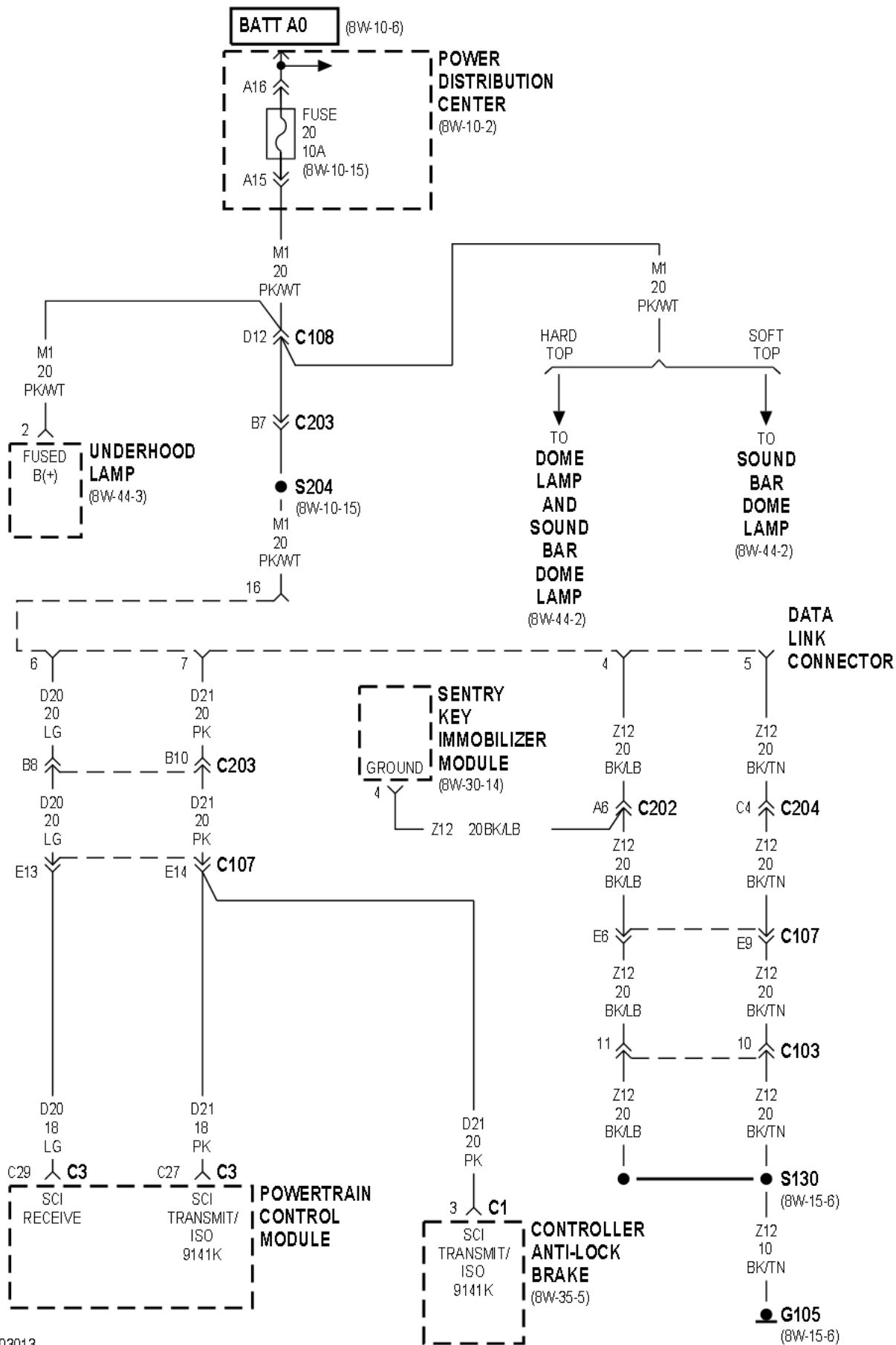


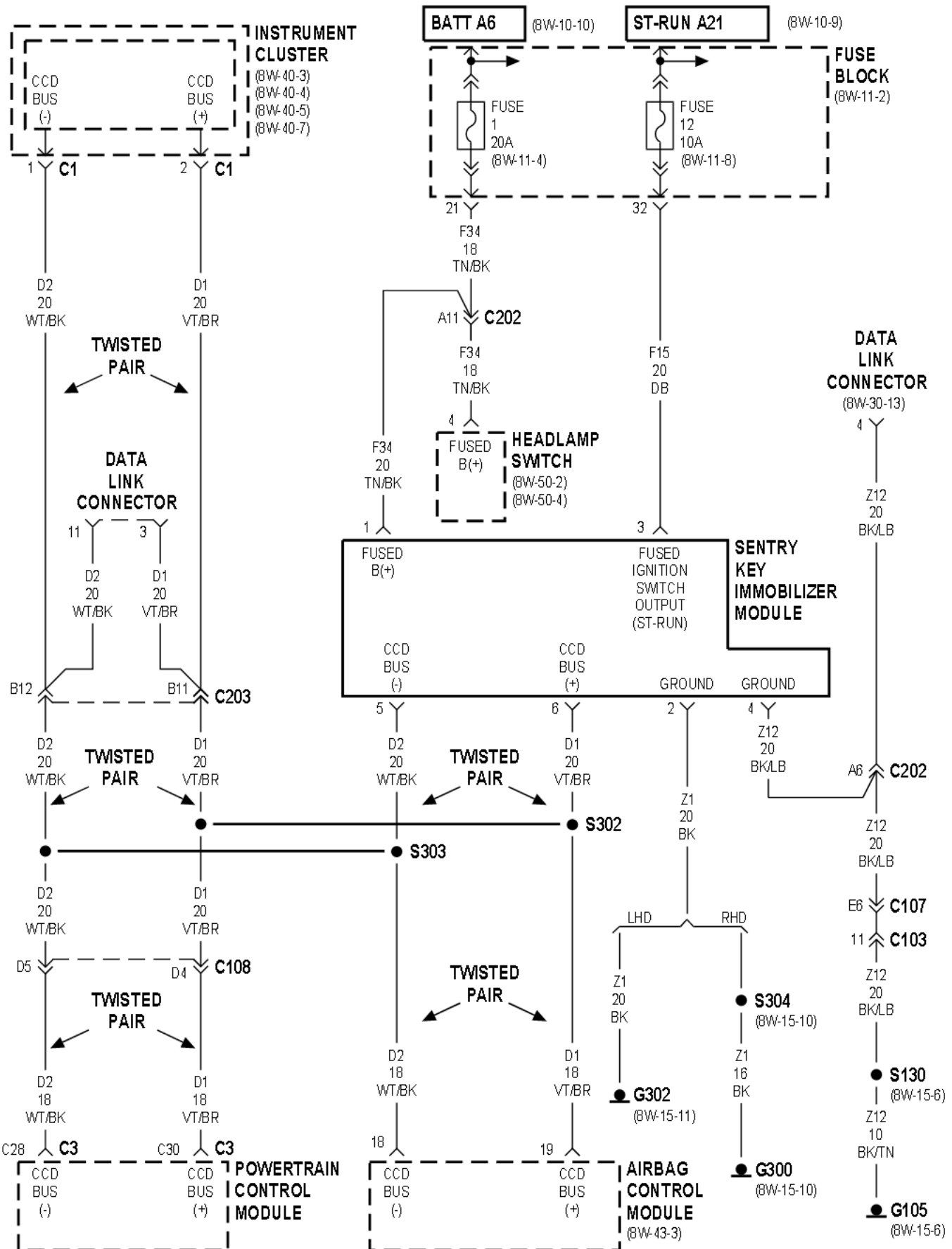


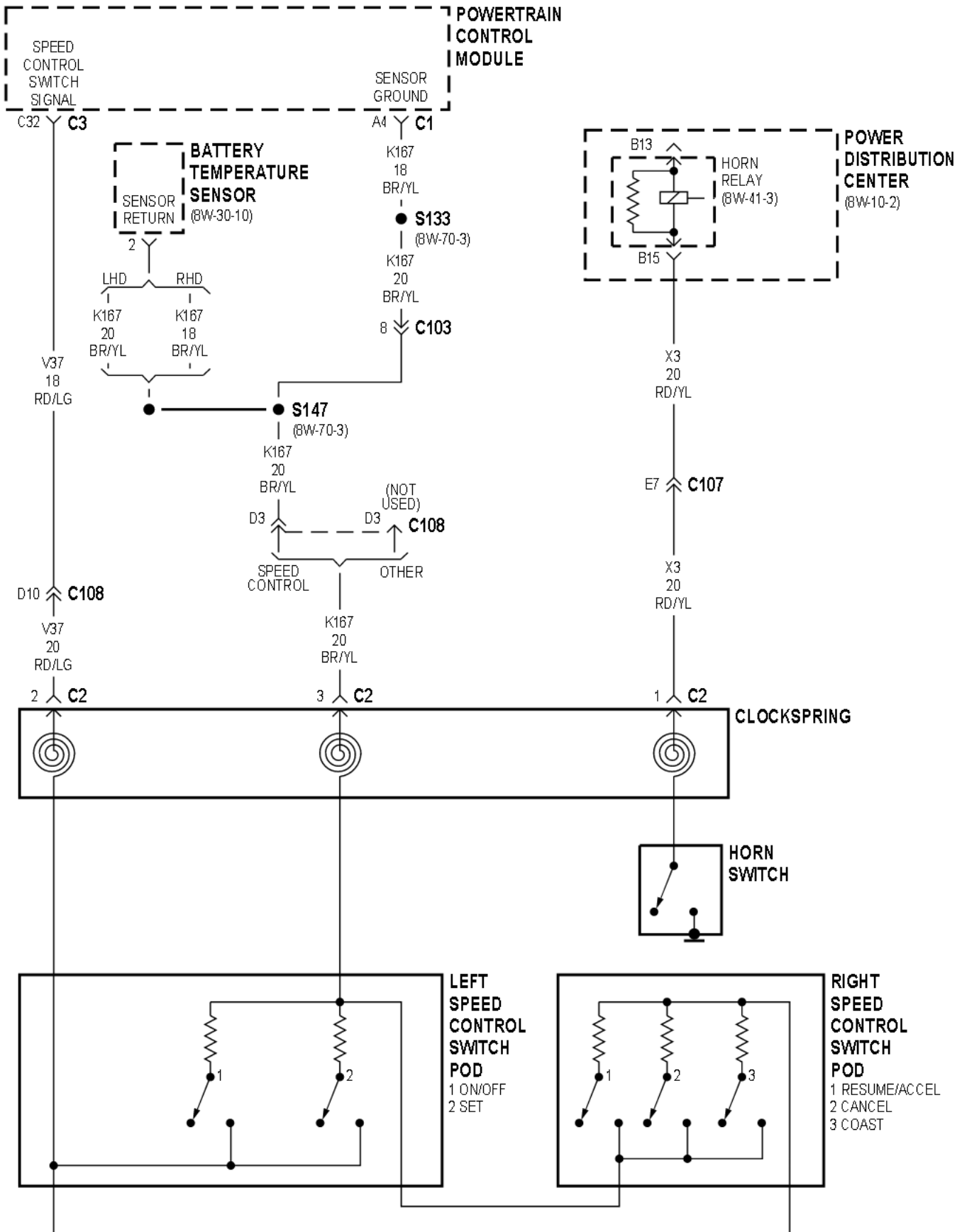


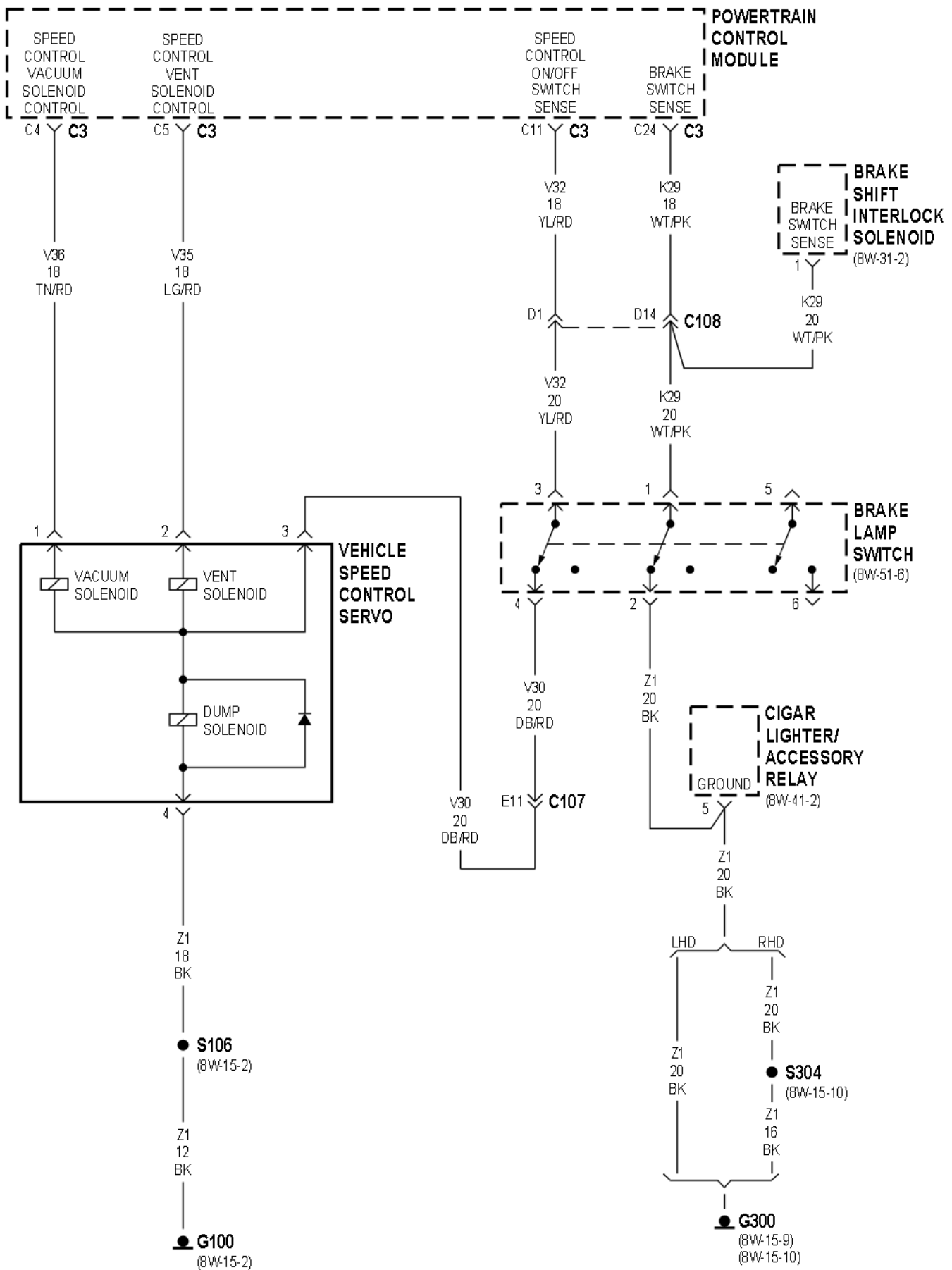






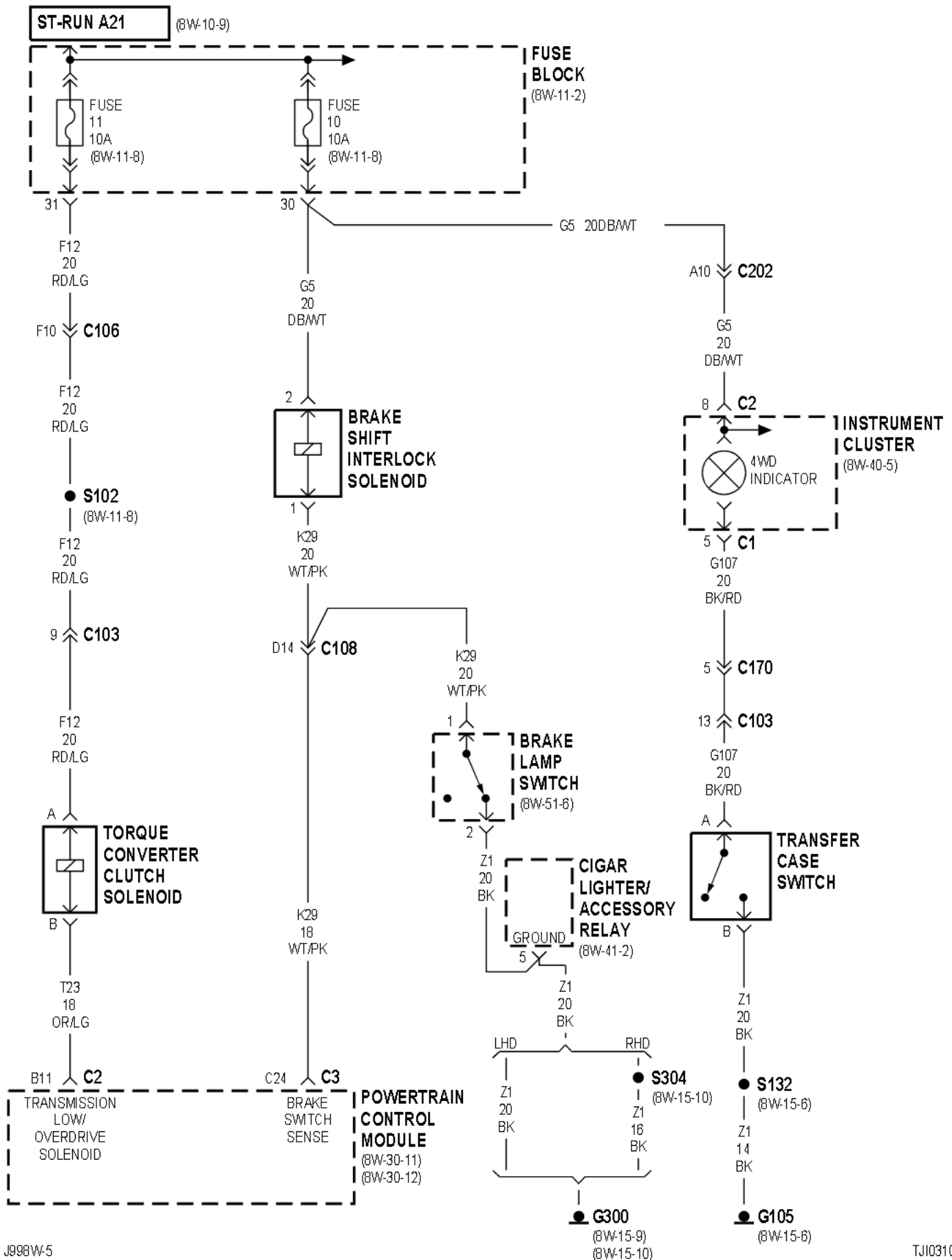






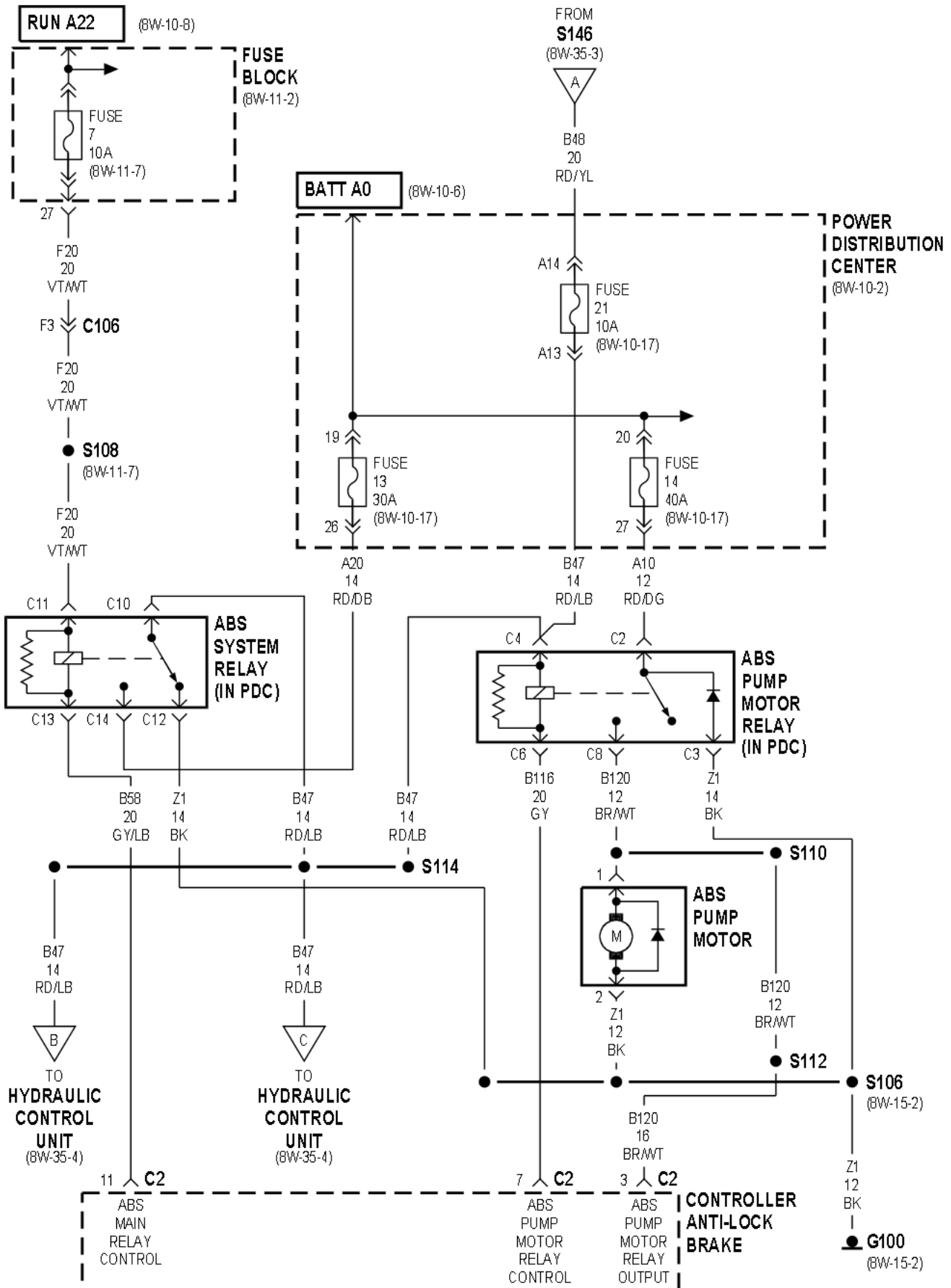
8W-31 TRANSMISSION CONTROL SYSTEM

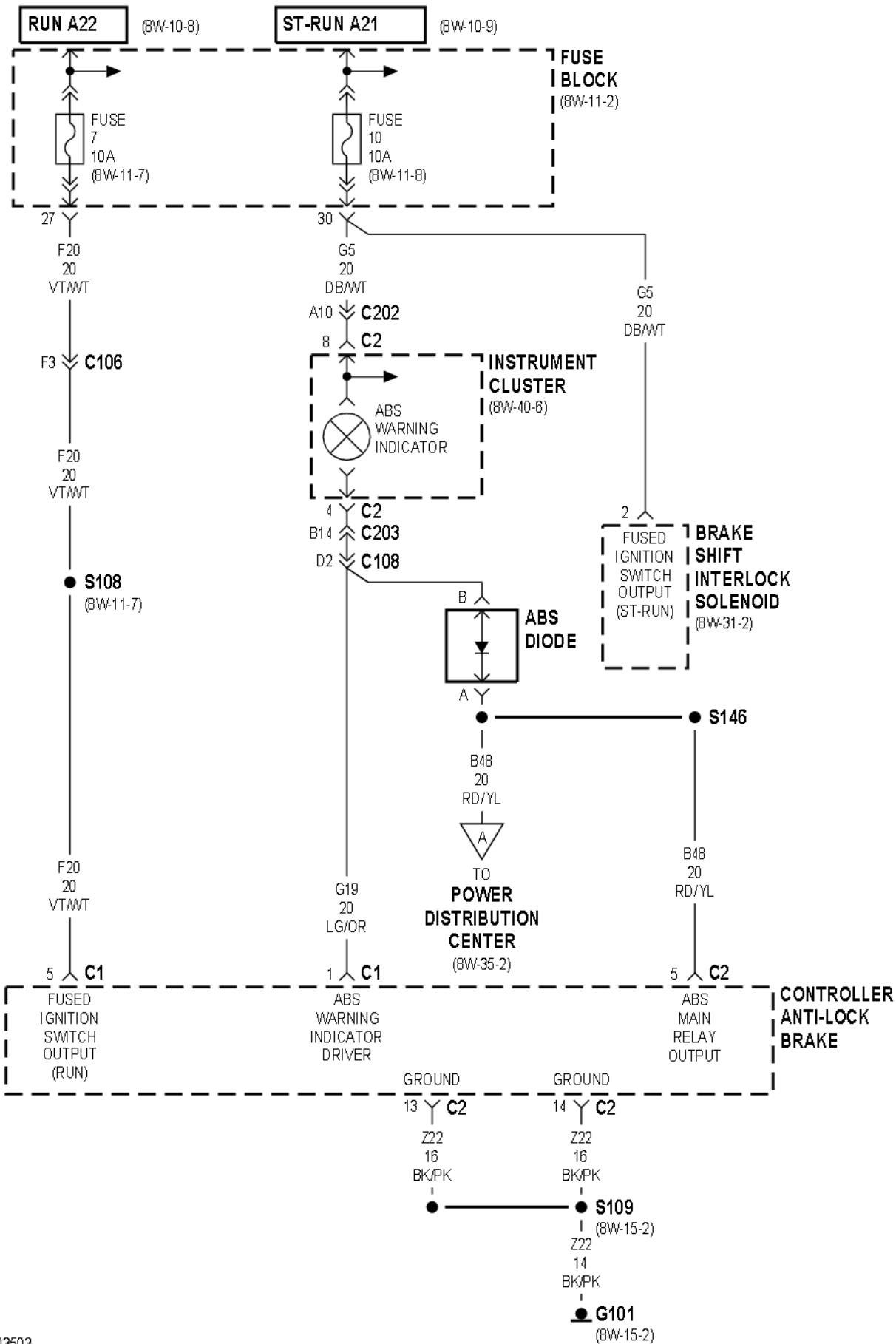
Component	Page	Component	Page
Brake Lamp Switch	8W-31-2	G105	8W-31-2
Brake Shift Interlock Solenoid	8W-31-2	G300	8W-31-2
Cigar Lighter/Accessory Relay	8W-31-2	Instrument Cluster	8W-31-2
Fuse 10 (FB)	8W-31-2	Powertrain Control Module	8W-31-2
Fuse 11 (FB)	8W-31-2	Torque Converter Clutch Solenoid	8W-31-2
Fuse Block	8W-31-2	Transfer Case Switch	8W-31-2

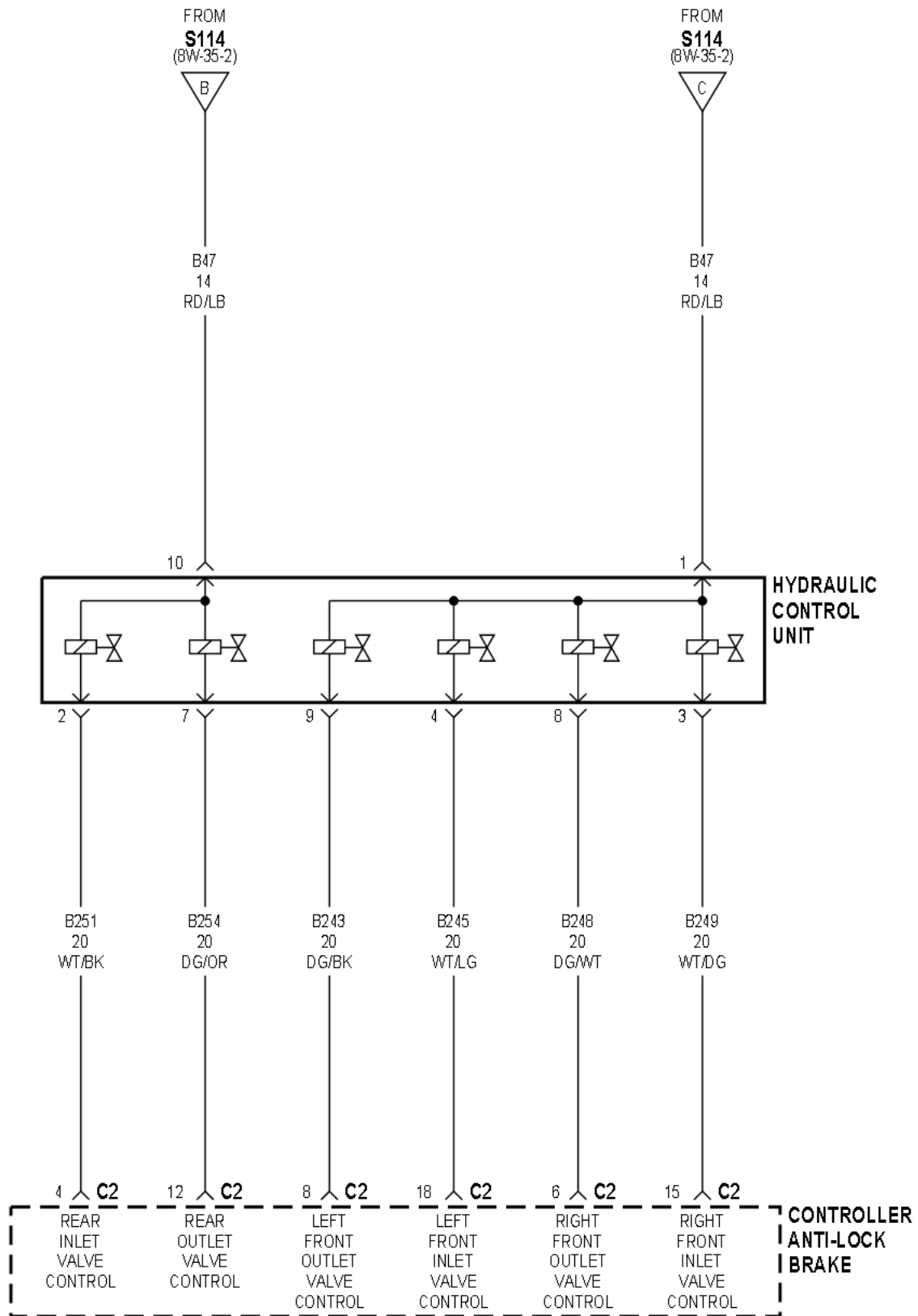


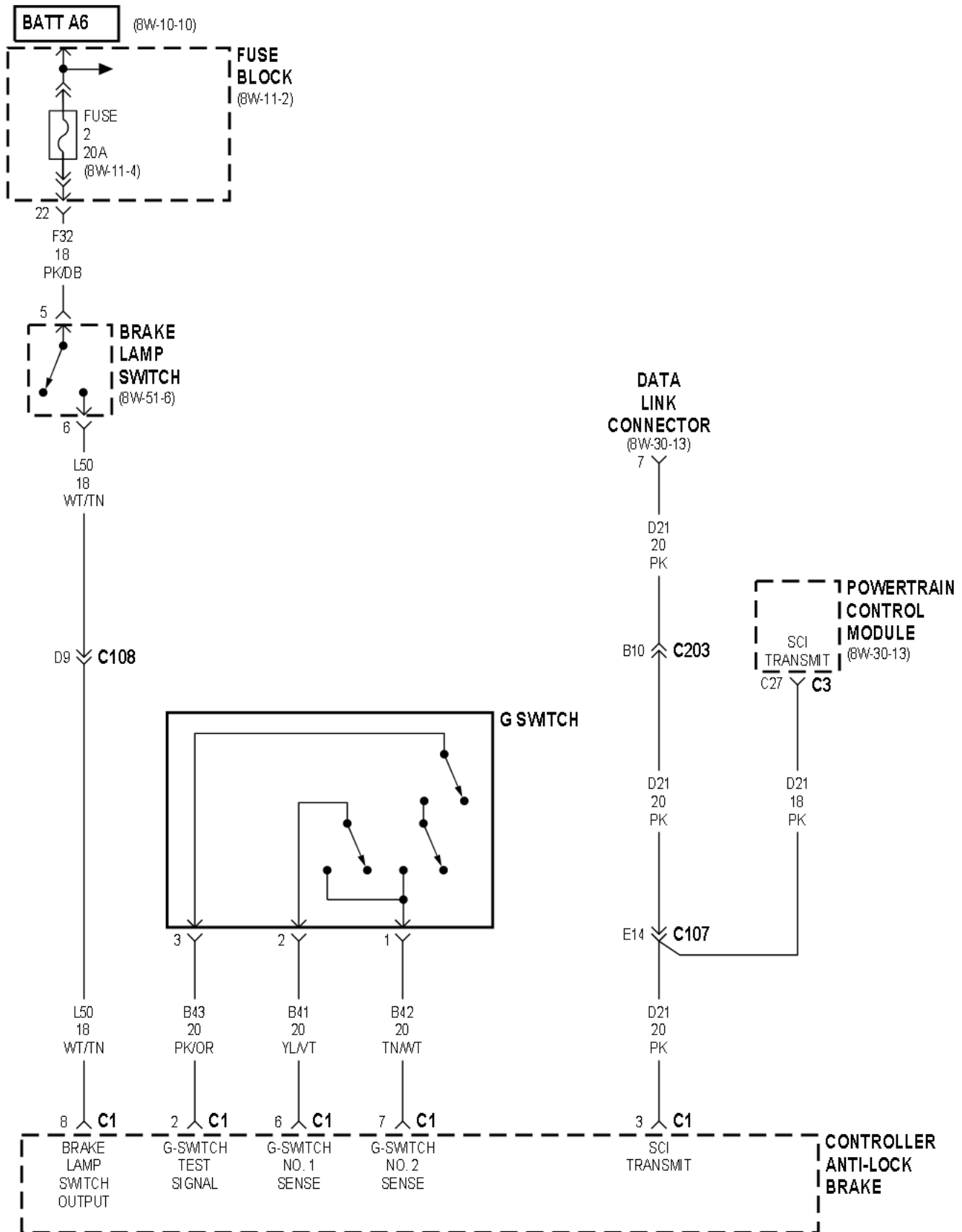
8W-35 ANTI-LOCK BRAKES

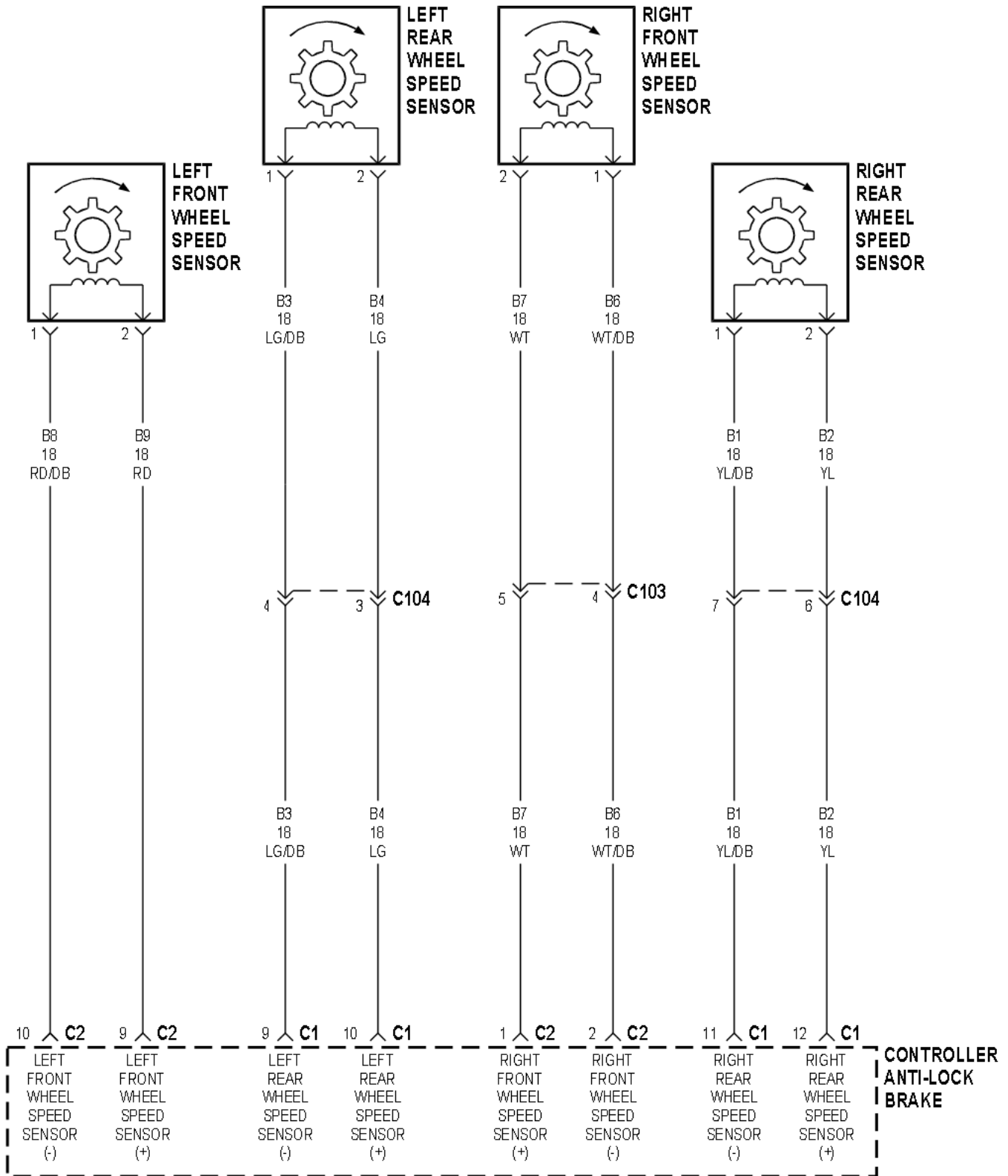
Component	Page	Component	Page
ABS Diode	8W-35-3	Fuse 21 (PDC)	8W-35-2
ABS Pump Motor	8W-35-2	Fuse Block	8W-35-2, 3, 5
ABS Pump Motor Relay	8W-35-2	G-Switch	8W-35-5
ABS System Relay	8W-35-2	G100	8W-35-2
ABS Warning Indicator	8W-35-3	G101	8W-35-3
Brake Lamp Switch	8W-35-5	Hydraulic Control Unit	8W-35-4
Brake Shift Interlock Solenoid	8W-35-3	Instrument Cluster	8W-35-3
Controller Anti-Lock Brake	8W-35-2, 3, 4, 5, 6	Left Front Wheel Speed Sensor	8W-35-6
Data Link Connector	8W-35-5	Left Rear Wheel Speed Sensor	8W-35-6
Fuse 2 (FB)	8W-35-5	Power Distribution Center	8W-35-2
Fuse 7 (FB)	8W-35-2, 3	Powertrain Control Module	8W-35-5
Fuse 10 (FB)	8W-35-3	Right Front Wheel Speed Sensor	8W-35-6
Fuse 13 (PDC)	8W-35-2	Right Rear Wheel Speed Sensor	8W-35-6
Fuse 14 (PDC)	8W-35-2		





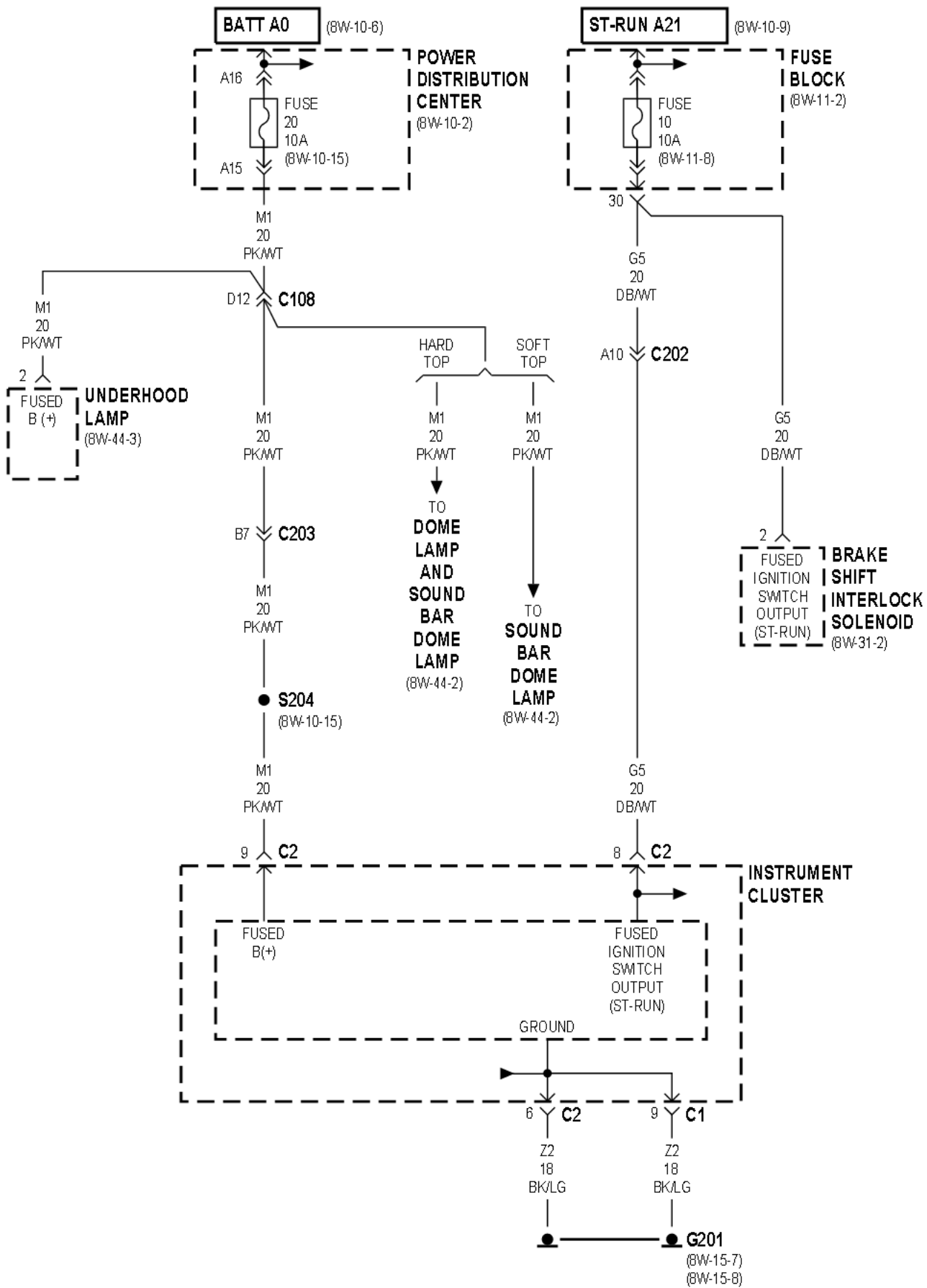


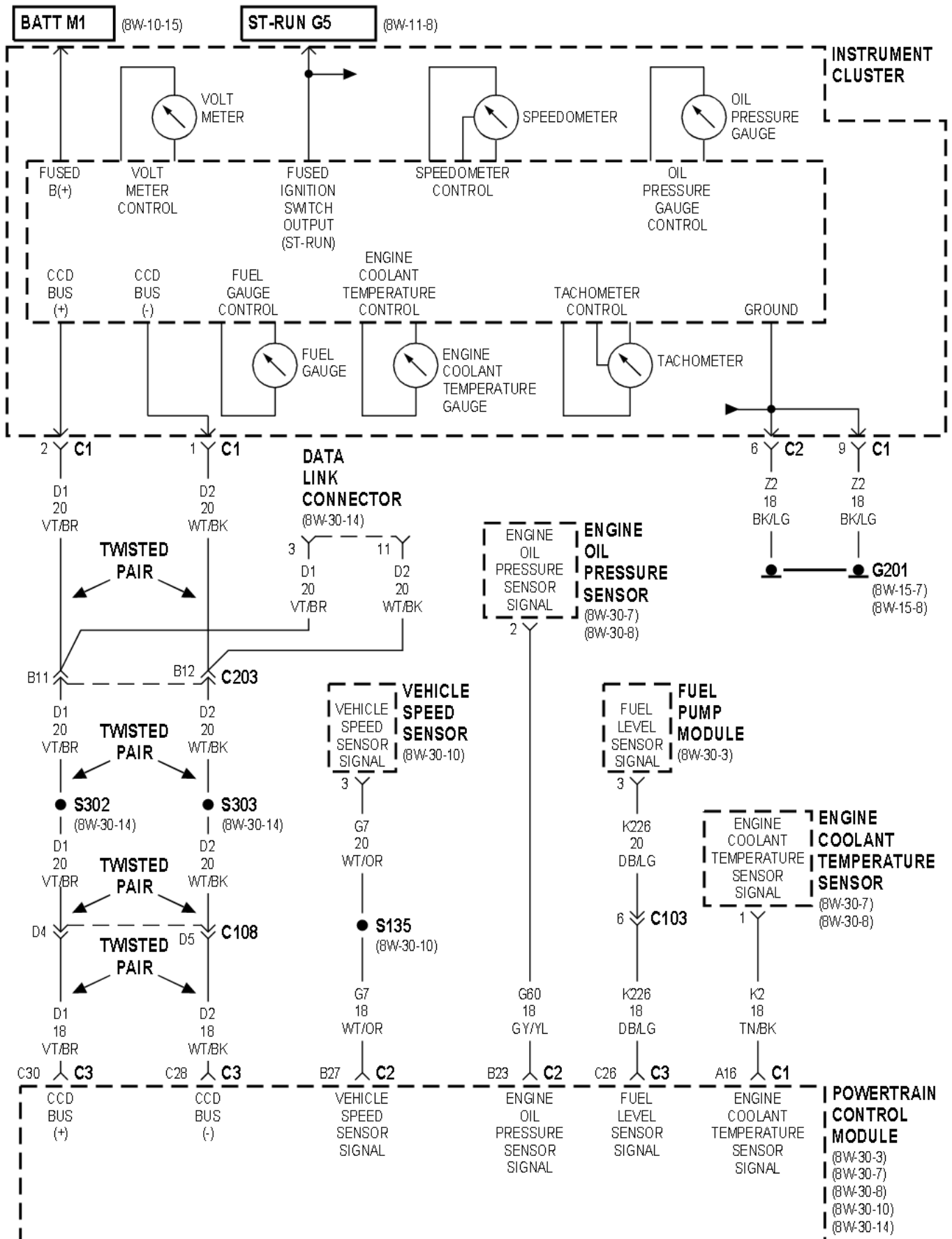


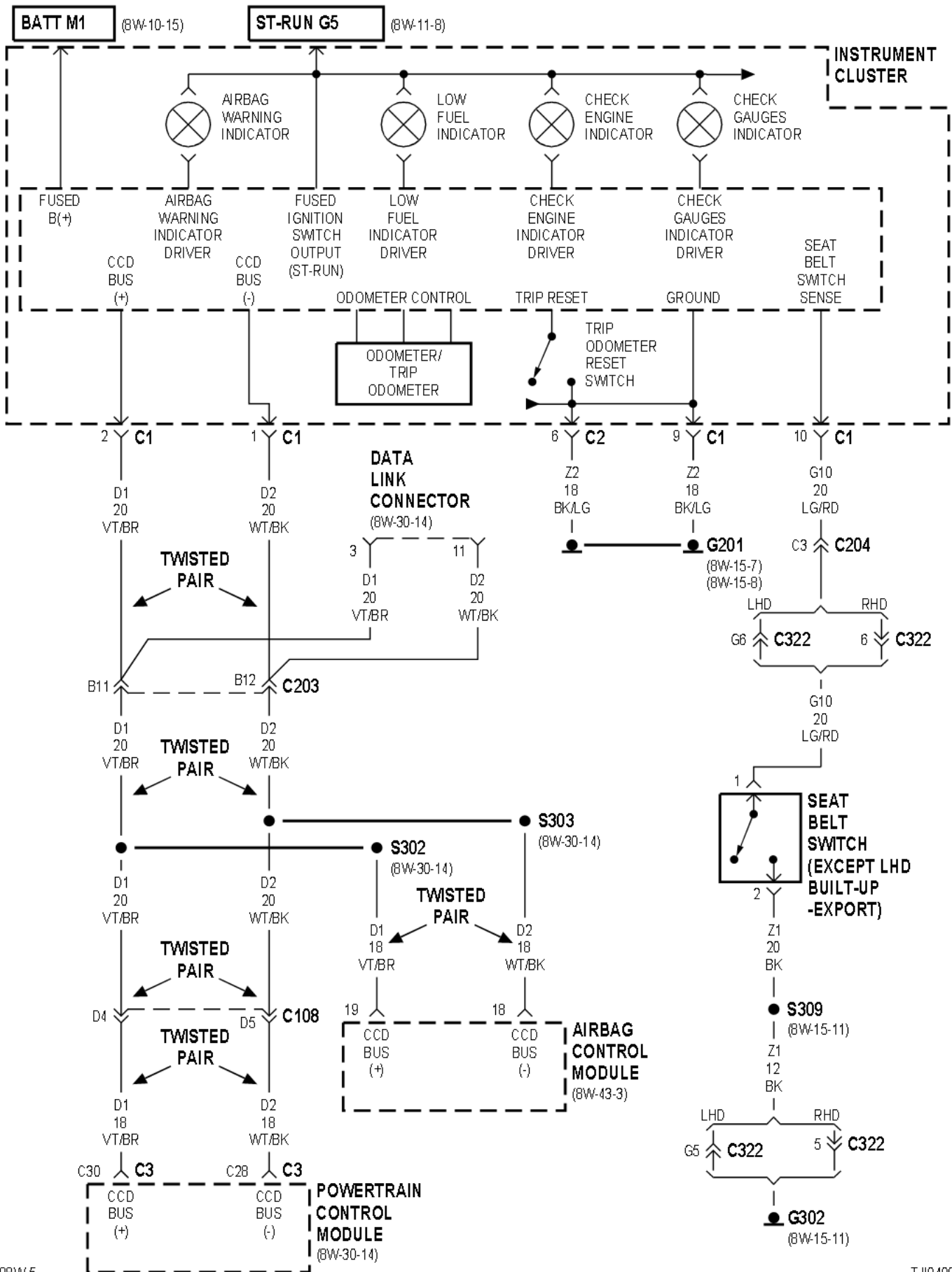


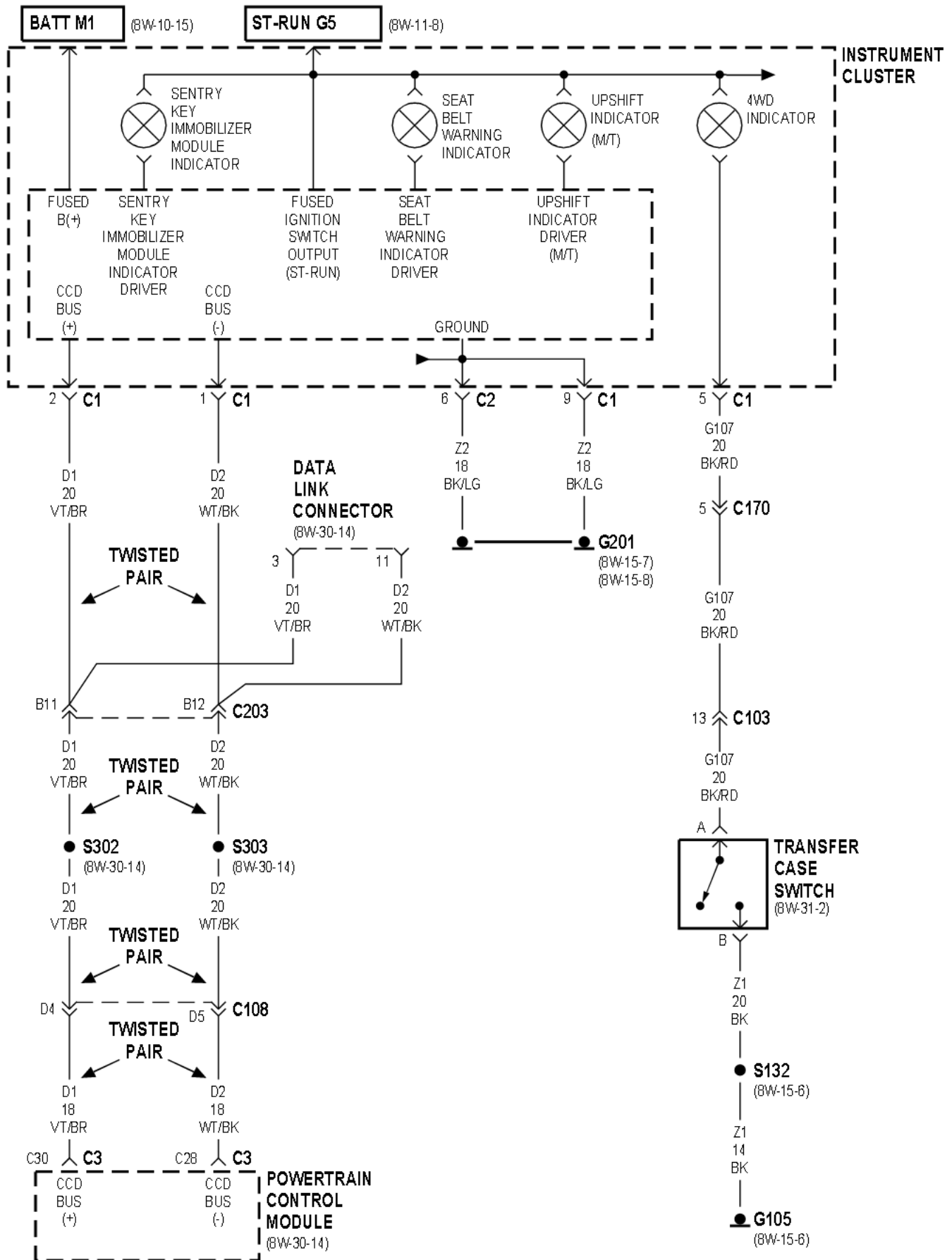
8W-40 INSTRUMENT CLUSTER

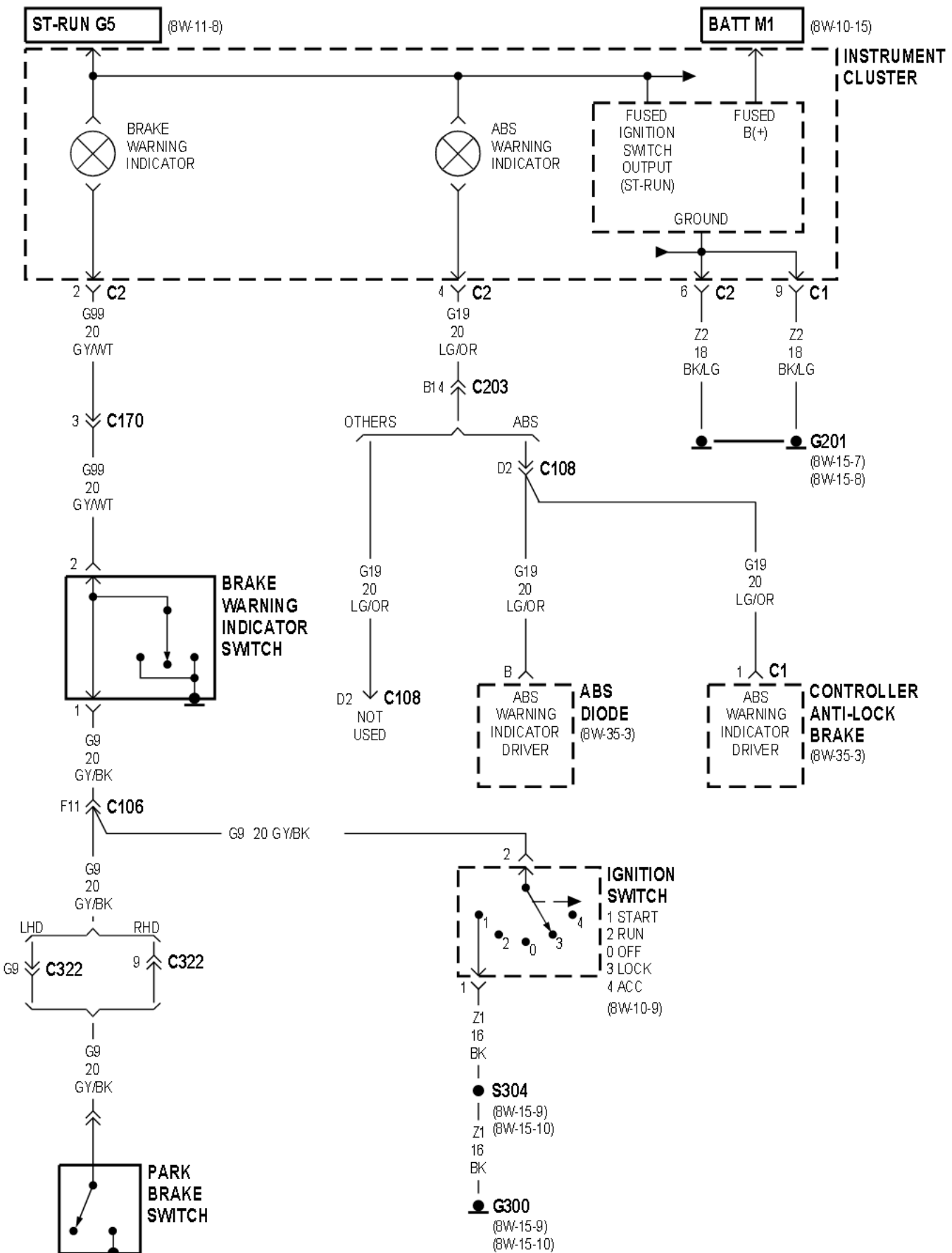
Component	Page	Component	Page
ABS Diode	8W-40-6	Headlamp Switch	8W-40-7, 8
ABS Warning Indicator	8W-40-6	High Beam Indicator	8W-40-9
Airbag Control Module	8W-40-4	Ignition Switch	8W-40-6
Airbag Warning Indicator Lamp	8W-40-4	Instrument Cluster	8W-40-2, 3, 4, 5, 6, 7, 8, 9
Brake Shift Interlock Solenoid	8W-40-2	Key-In Switch	8W-40-7
Brake Warning Indicator	8W-40-6	Left Turn Signal Indicator	8W-40-9
Brake Warning Indicator Switch	8W-40-6	Low Fuel Indicator Lamp	8W-40-4
Check Engine Indicator	8W-40-4	Odometer/Trip Odometer	8W-40-4
Check Gauges Indicator	8W-40-4	Oil Pressure Gauge	8W-40-3
Cluster Illumination Lamps	8W-40-8	Park Brake Switch	8W-40-6
Controller Anti-Lock Brake	8W-40-6	Passenger Door Ajar Switch	8W-40-7
Data Link Connector	8W-40-3, 4, 5, 7	Power Distribution Center	8W-40-2
Daytime Running Lamp Module	8W-40-9	Powertrain Control Module	8W-40-3, 4, 5, 7
Driver Door Ajar Switch	8W-40-7	PRNDL Lamp	8W-40-8
Engine Coolant Temperature Gauge	8W-40-3	Rear Window Defogger Relay	8W-40-8
Engine Coolant Temperature Sensor	8W-40-3	Rear Window Defogger Switch	8W-40-8
Engine Oil Pressure Sensor	8W-40-3	Right Turn Signal Indicator	8W-40-9
Fog Lamp Relay No. 2	8W-40-9	Seat Belt Switch	8W-40-4
Fuel Gauge	8W-40-3	Seat Belt Warning Indicator	8W-40-5
Fuel Pump Module	8W-40-3	Sound Bar Dome Lamp	8W-40-2
Fuse 3 (FB)	8W-40-8	Speedometer	8W-40-3
Fuse 4 (FB)	8W-40-7	Tachometer	8W-40-3
Fuse 10 (FB)	8W-40-2	Transfer Case Switch	8W-40-5
Fuse 20 (PDC)	8W-40-2	Trip Odometer Reset Switch	8W-40-4
Fuse Block	8W-40-2, 7, 8	Turn Signal/Hazard Switch	8W-40-9
G105	8W-40-5	Underhood Lamp	8W-40-2
G201	8W-40-2, 3, 4, 5, 6, 7, 8, 9	Upshift Indicator	8W-40-5
G300	8W-40-6, 7	Vehicle Speed Sensor	8W-40-3
G302	8W-40-4	Volt Meter	8W-40-3
Headlamp Dimmer Switch	8W-40-9		

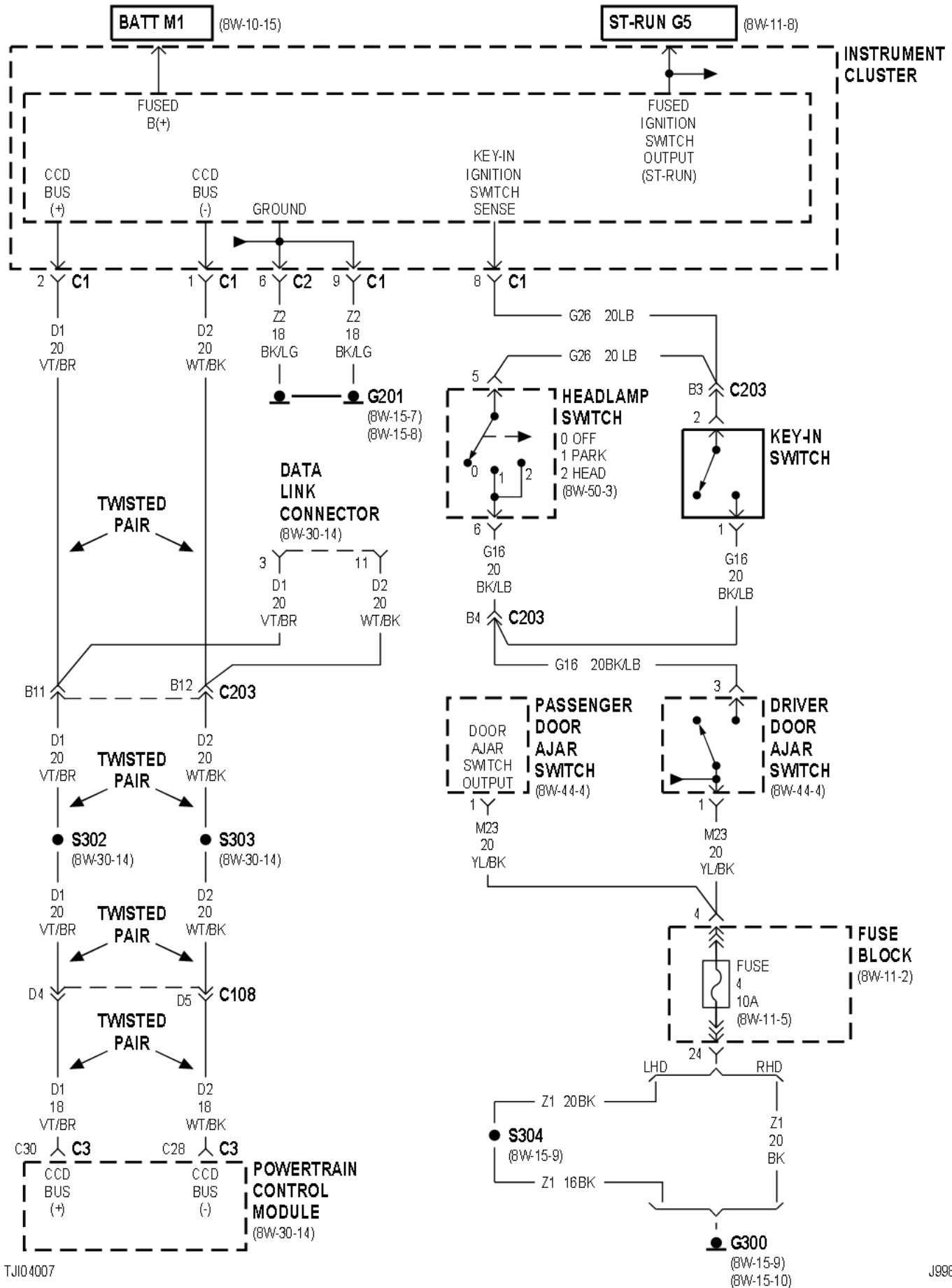


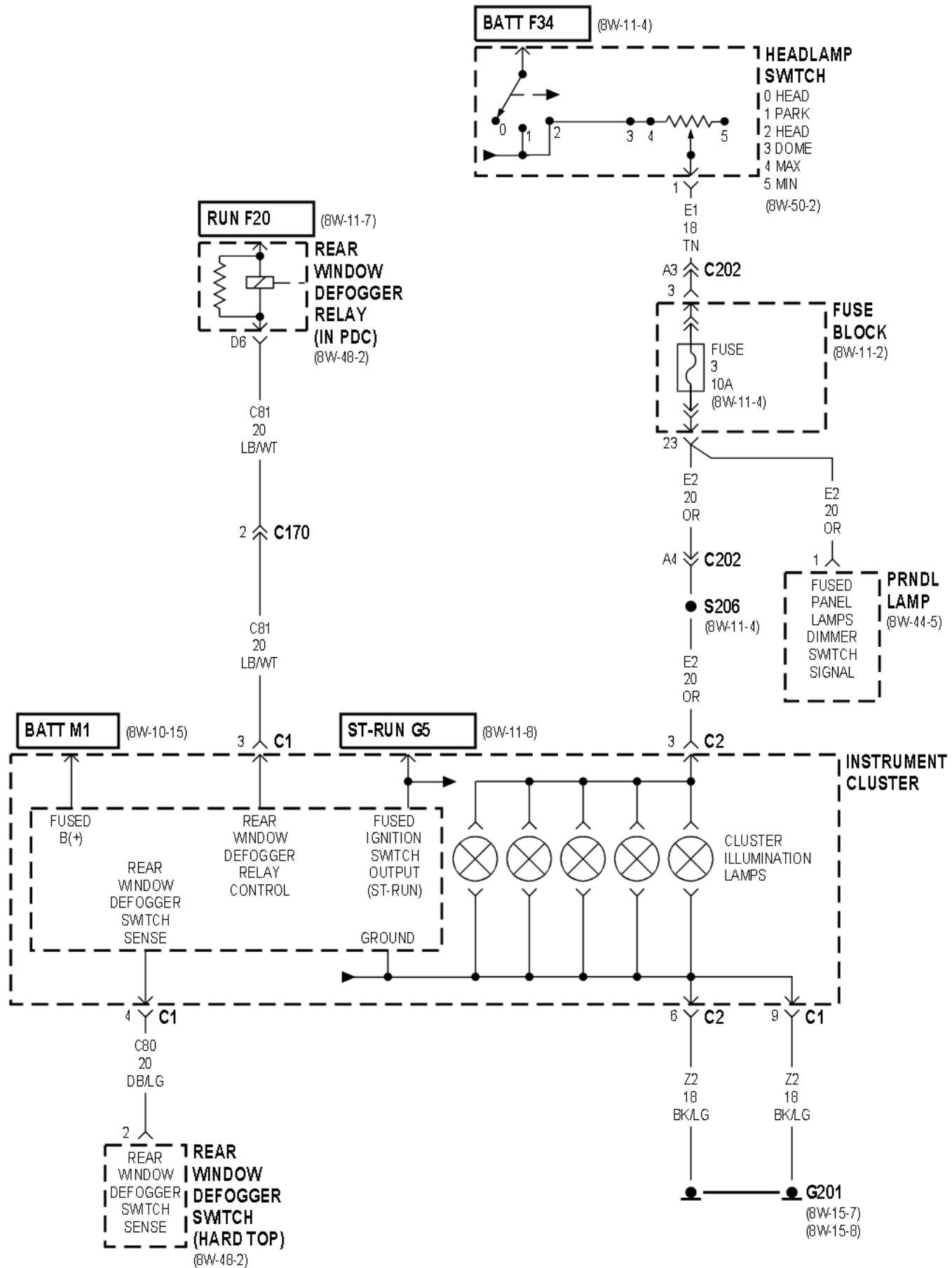


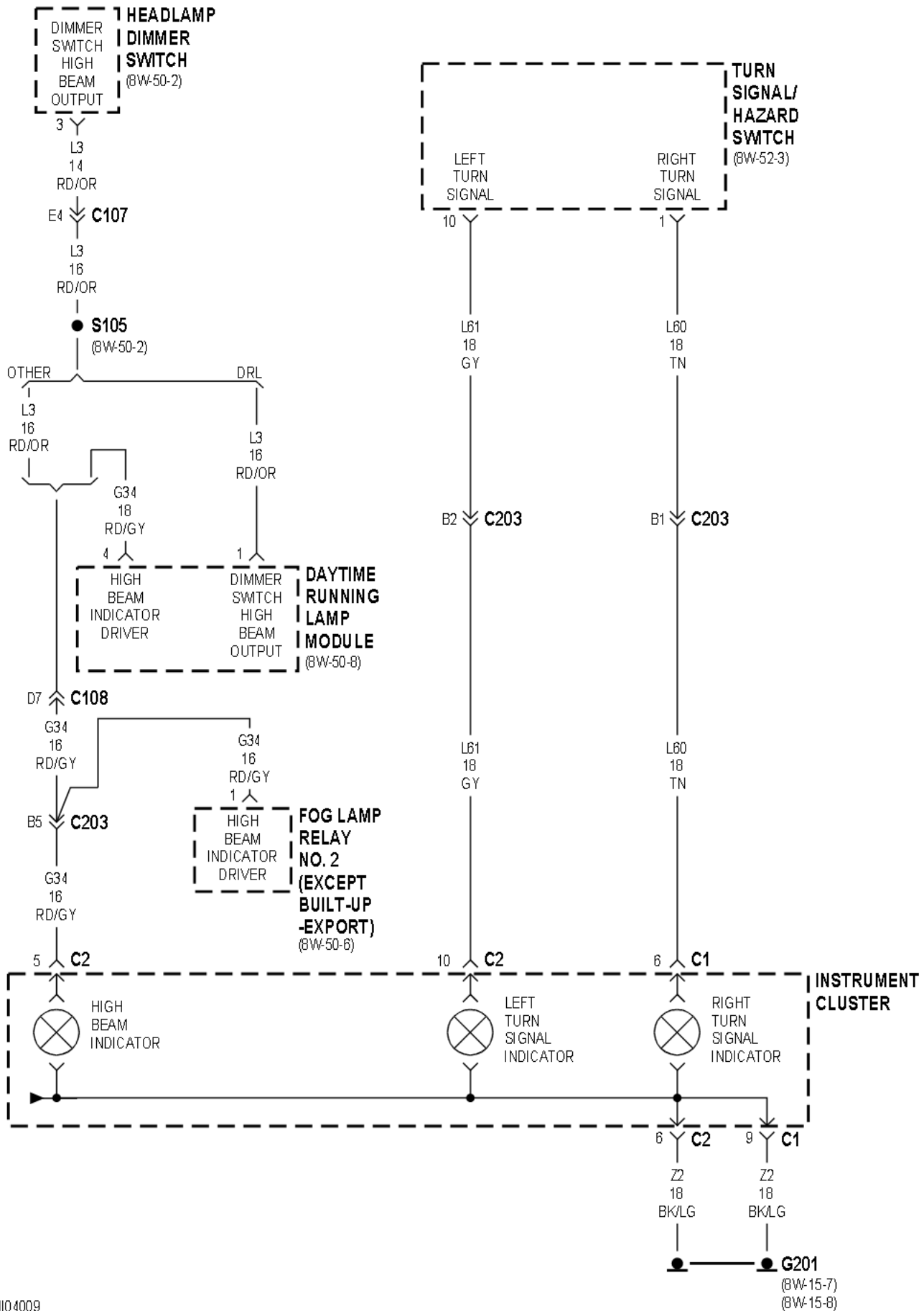






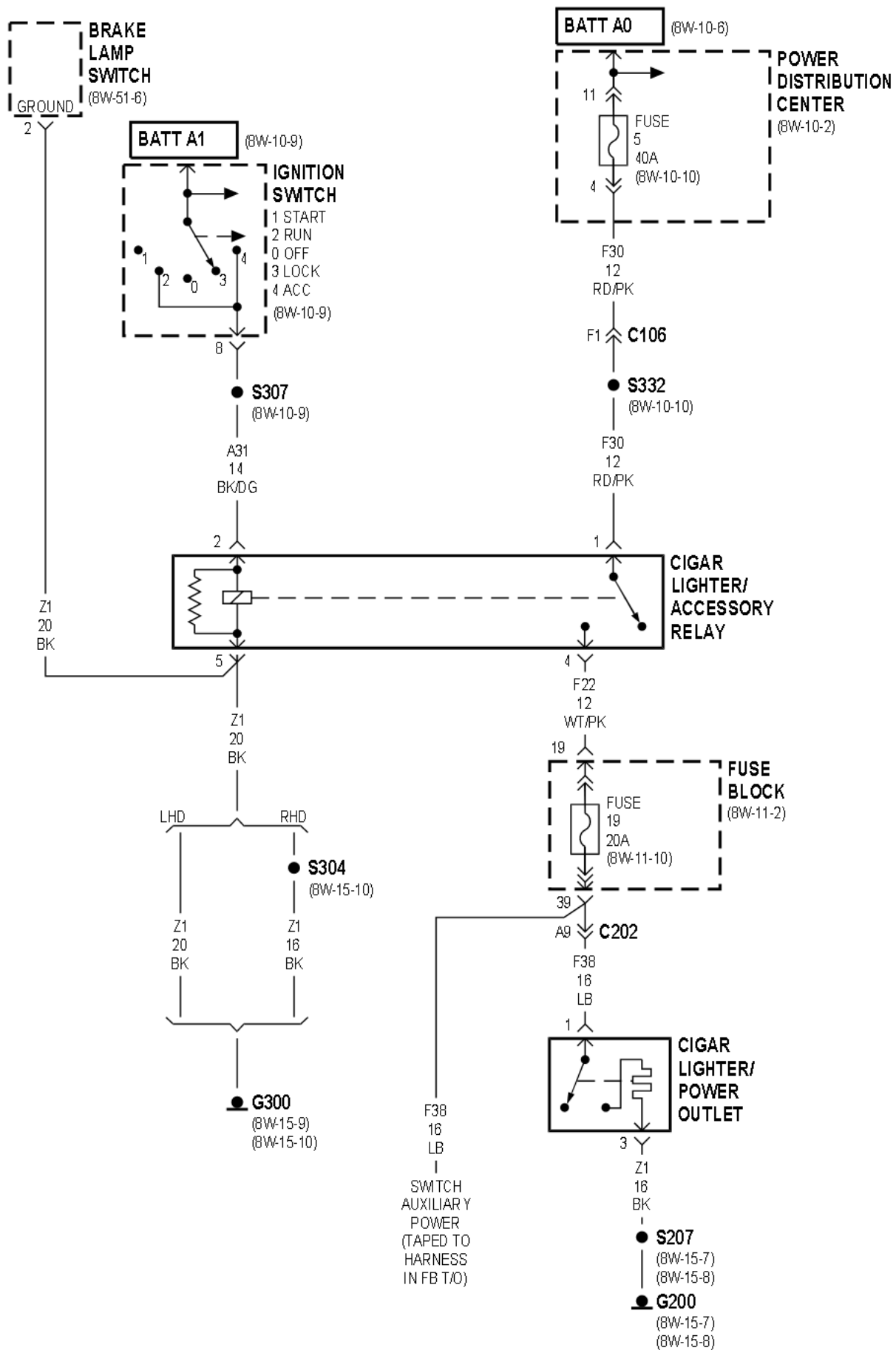


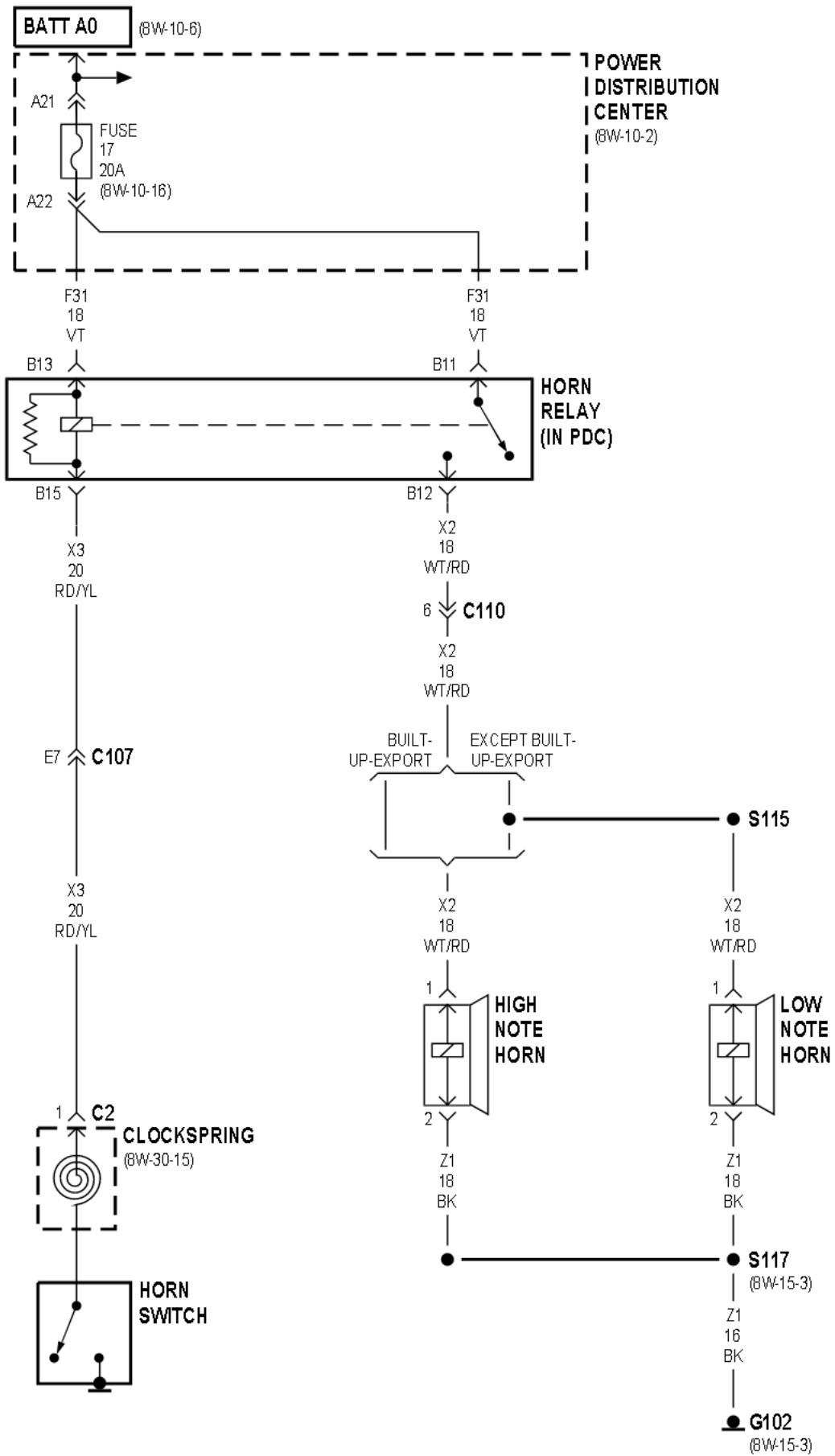




8W-41 HORN/CIGAR LIGHTER/POWER OUTLET

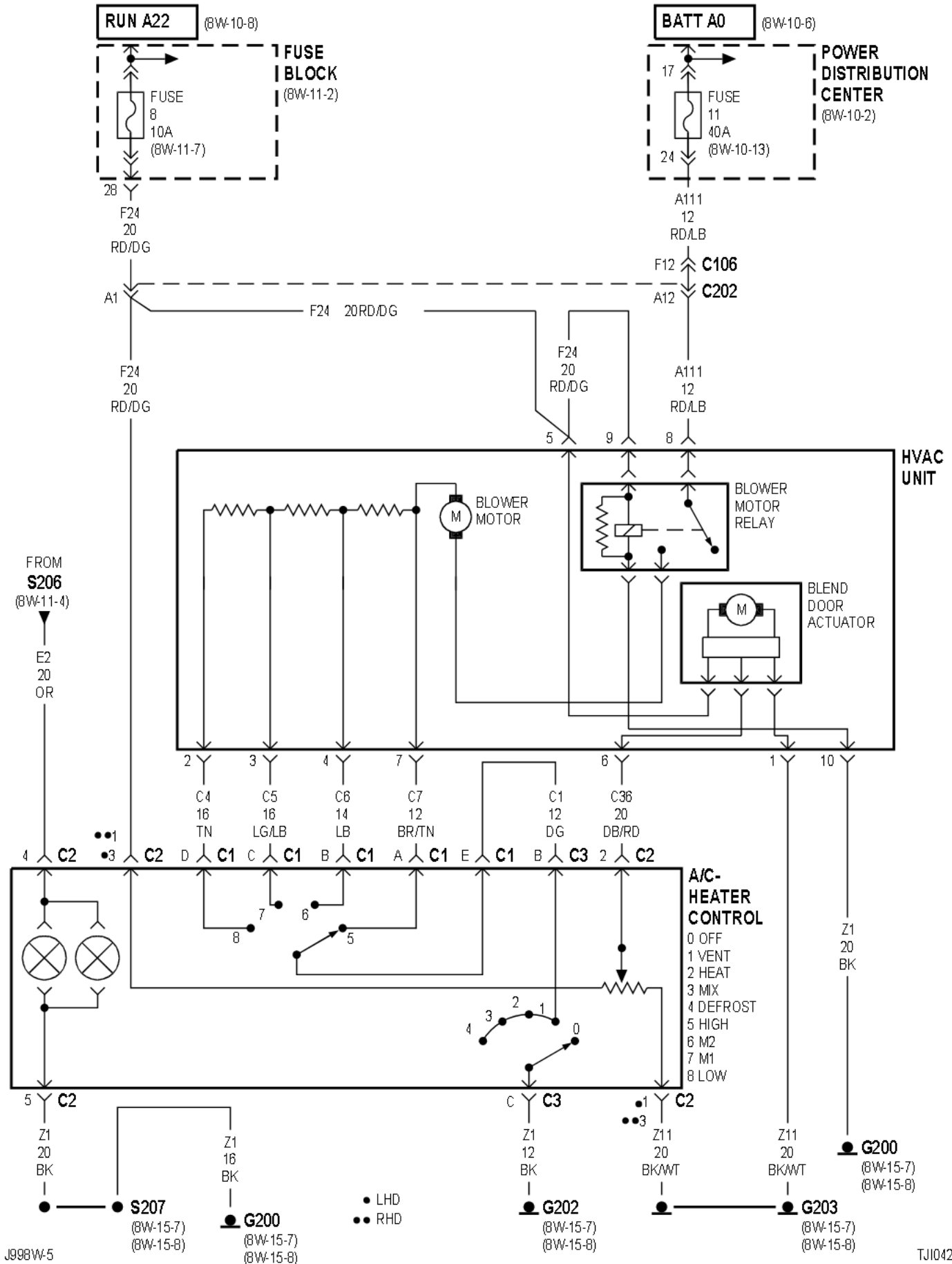
Component	Page	Component	Page
Brake Lamp Switch	8W-41-2	G200	8W-41-2
Cigar Lighter/Accessory Relay	8W-41-2	G300	8W-41-2
Cigar Lighter/Power Outlet	8W-41-2	High Note Horn	8W-41-3
Clockspring	8W-41-3	Horn Relay	8W-41-3
Fuse 5 (PDC)	8W-41-2	Horn Switch	8W-41-3
Fuse 17 (PDC)	8W-41-3	Ignition Switch	8W-41-2
Fuse 19 (FB)	8W-41-2	Low Note Horn	8W-41-3
Fuse Block	8W-41-2	Power Distribution Center	8W-41-2, 3
G102	8W-41-3		

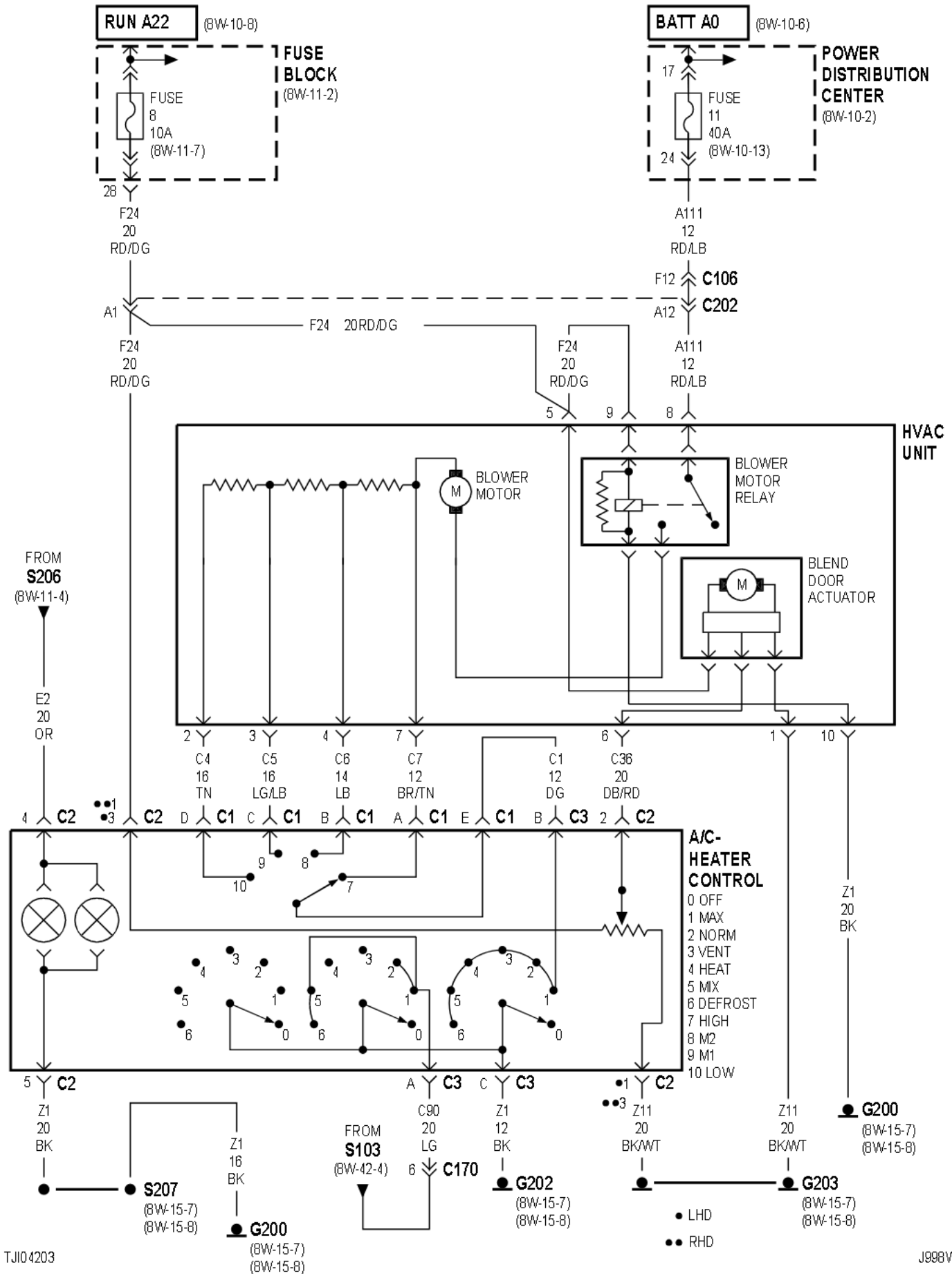


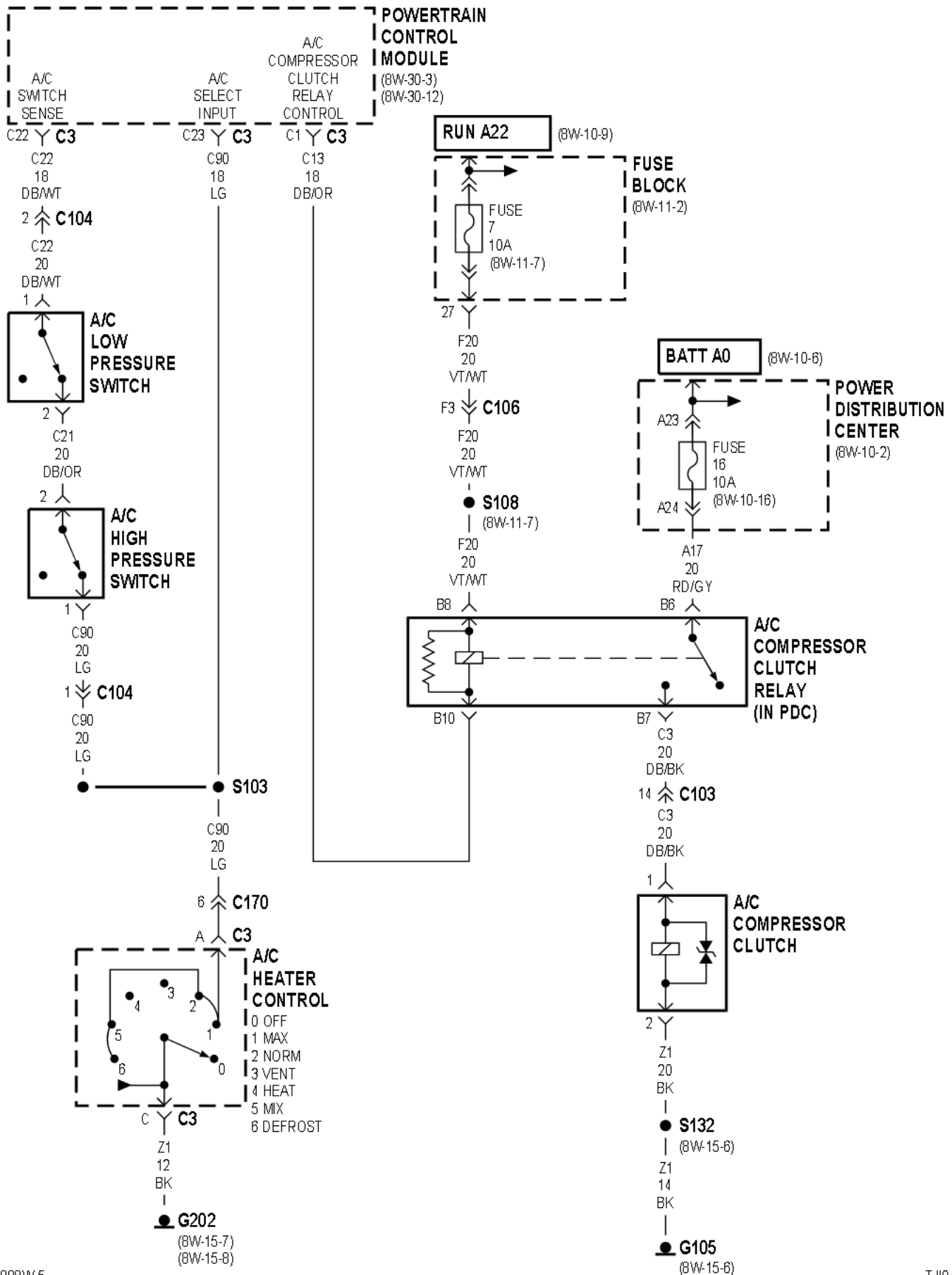


8W-42 AIR CONDITIONING-HEATER

Component	Page	Component	Page
A/C Compressor Clutch	8W-42-4	Fuse 11 (PDC).....	8W-42-2, 3
A/C Compressor Clutch Relay	8W-42-4	Fuse 16 (PDC)	8W-42-4
A/C Heater Control	8W-42-2, 3, 4	Fuse Block	8W-42-2, 3, 4
A/C High Pressure Switch	8W-42-4	G105	8W-42-4
A/C Low Pressure Switch	8W-42-4	G200	8W-42-2, 3
Blend Door Actuator	8W-42-2, 3	G202	8W-42-2, 3, 4
Blower Motor	8W-42-2, 3	G203	8W-42-2, 3
Blower Motor Relay	8W-42-2, 3	HVAC Unit	8W-42-2, 3
Fuse 7 (FB).....	8W-42-4	Power Distribution Center	8W-42-2, 3, 4
Fuse 8 (FB).....	8W-42-2, 3	Powertrain Control Module.....	8W-42-4

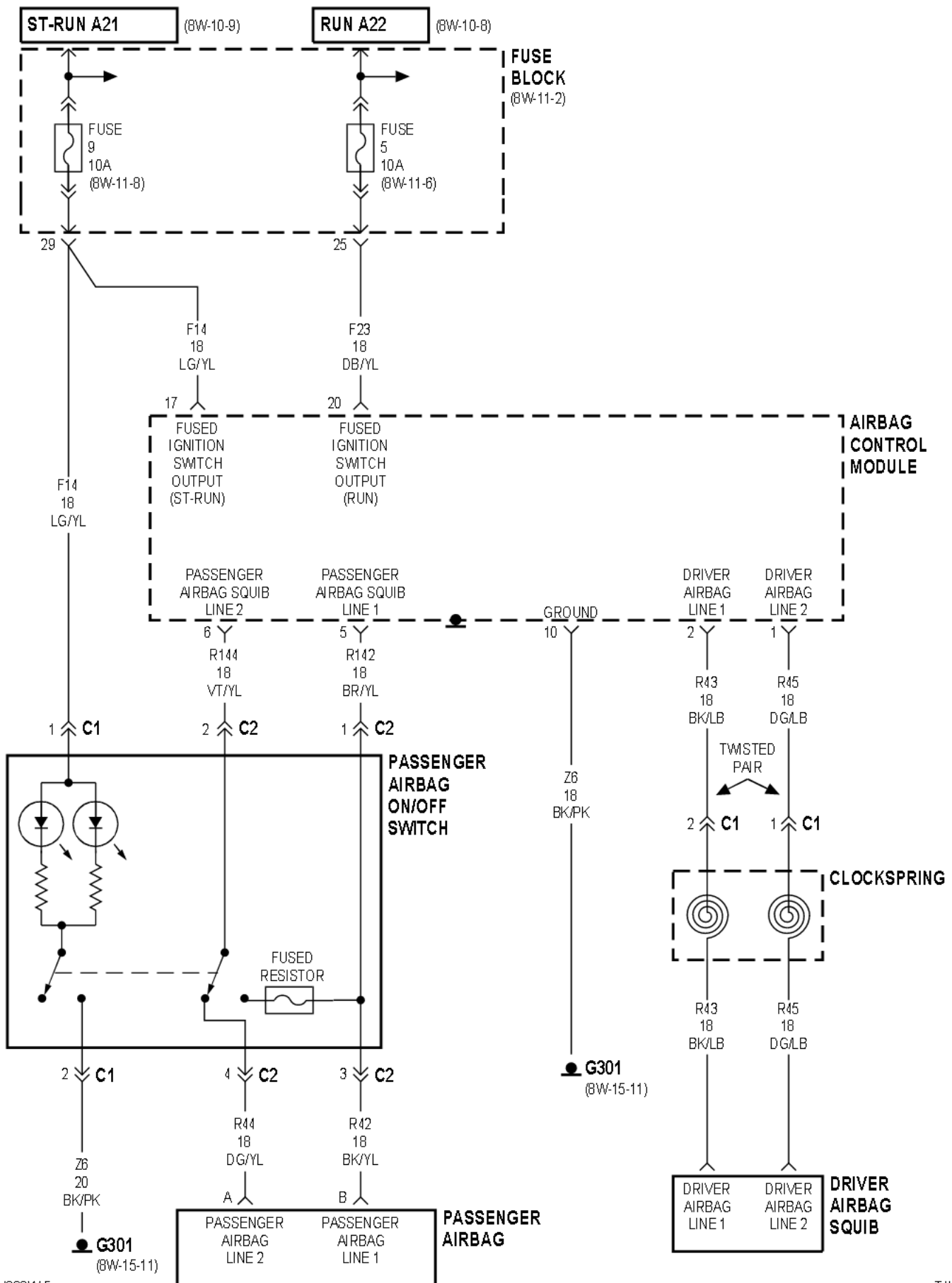


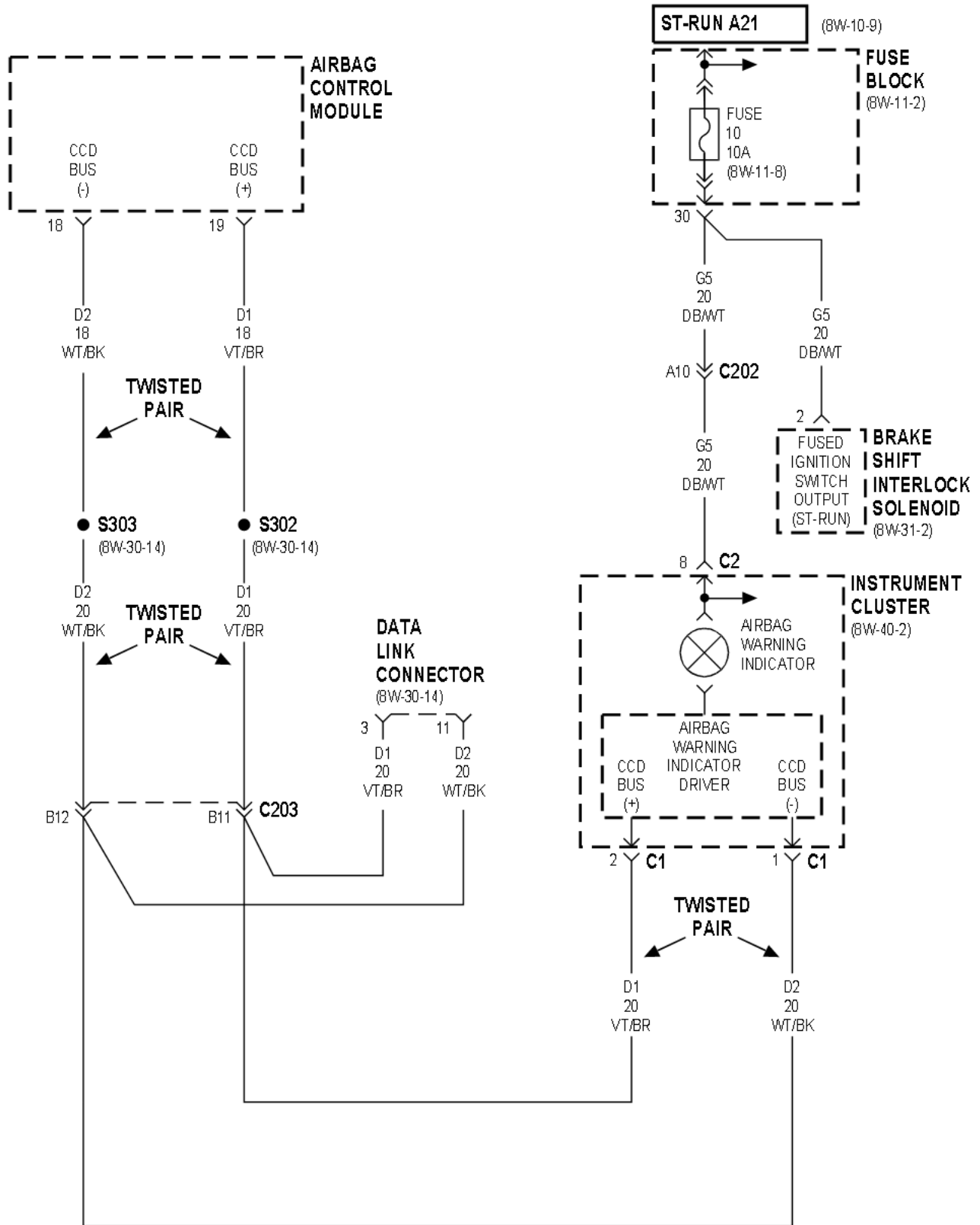




8W-43 AIRBAG SYSTEM

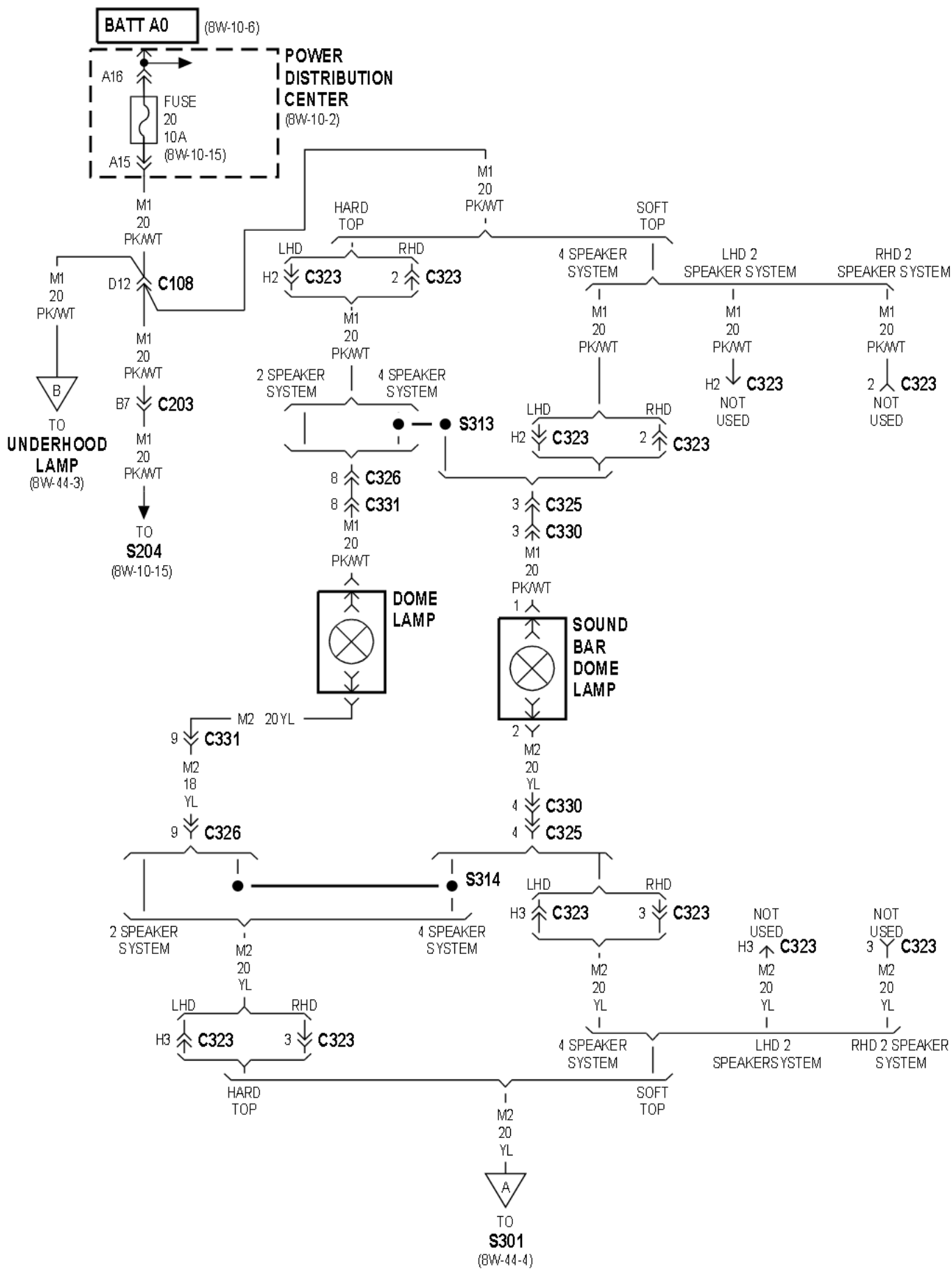
Component	Page	Component	Page
Airbag Control Module	8W-43-2, 3	Fuse 9 (FB)	8W-43-2
Airbag Warning Indicator	8W-43-3	Fuse 10 (FB)	8W-43-3
Brake Shift Interlock Solenoid	8W-43-3	Fuse Block	8W-43-2, 3
Clockspring	8W-43-2	G301	8W-43-2
Data Link Connector	8W-43-3	Instrument Cluster	8W-43-3
Driver Airbag Squib	8W-43-2	Passenger Airbag	8W-43-2
Fuse 5 (FB)	8W-43-2	Passenger Airbag On/Off Switch	8W-43-2

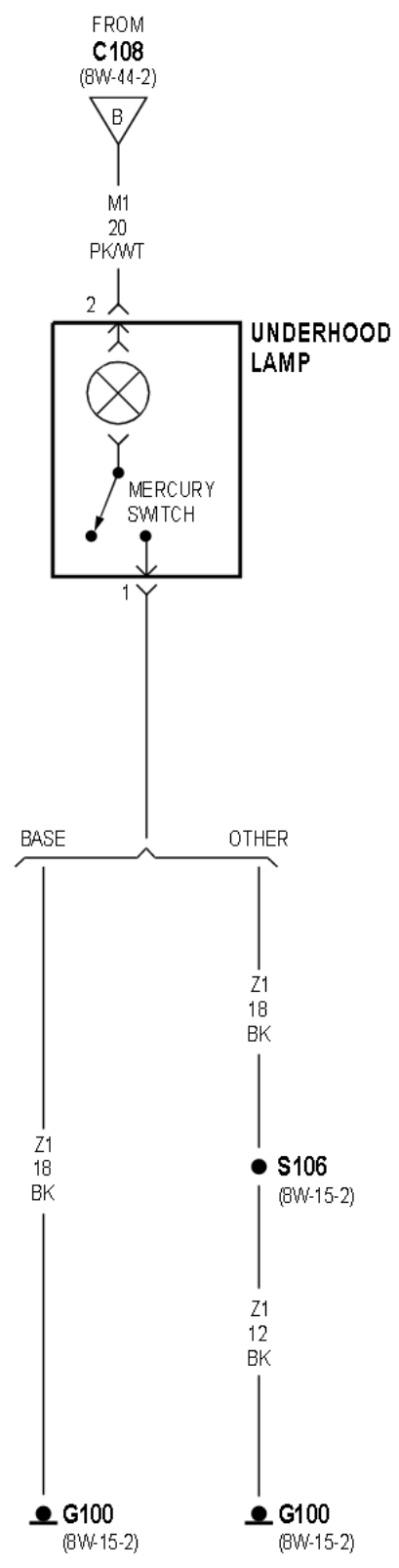


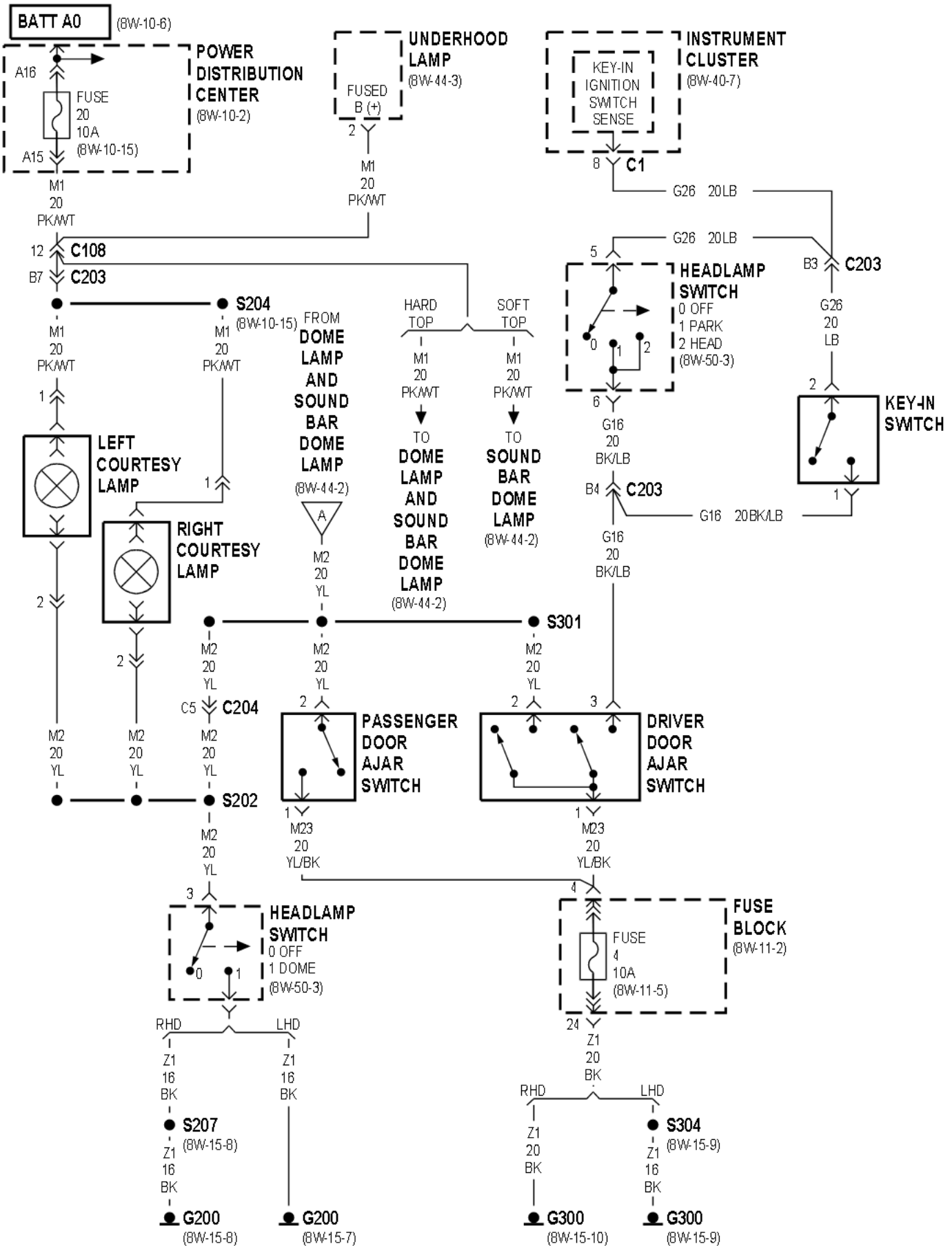


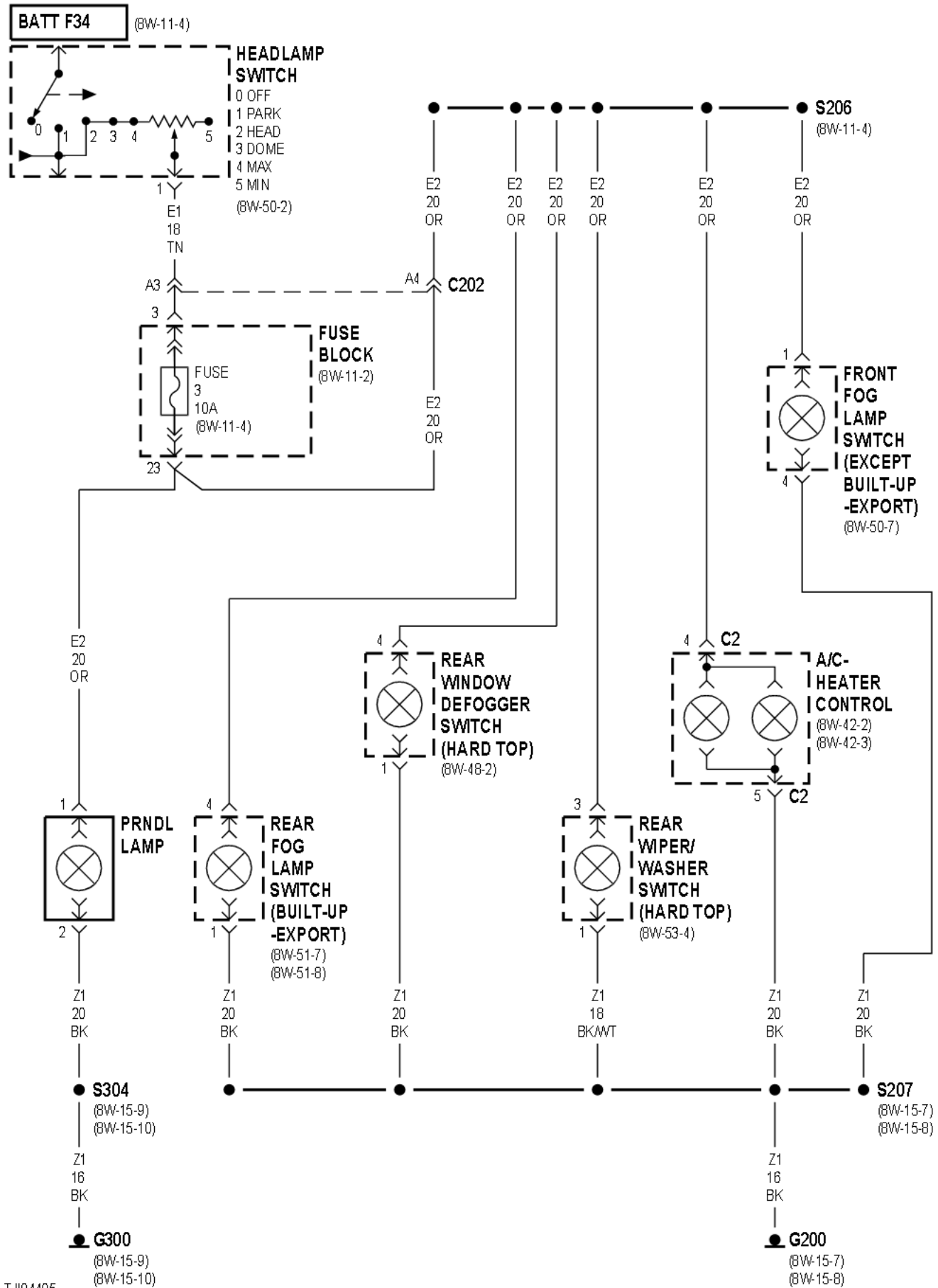
8W-44 INTERIOR LIGHTING

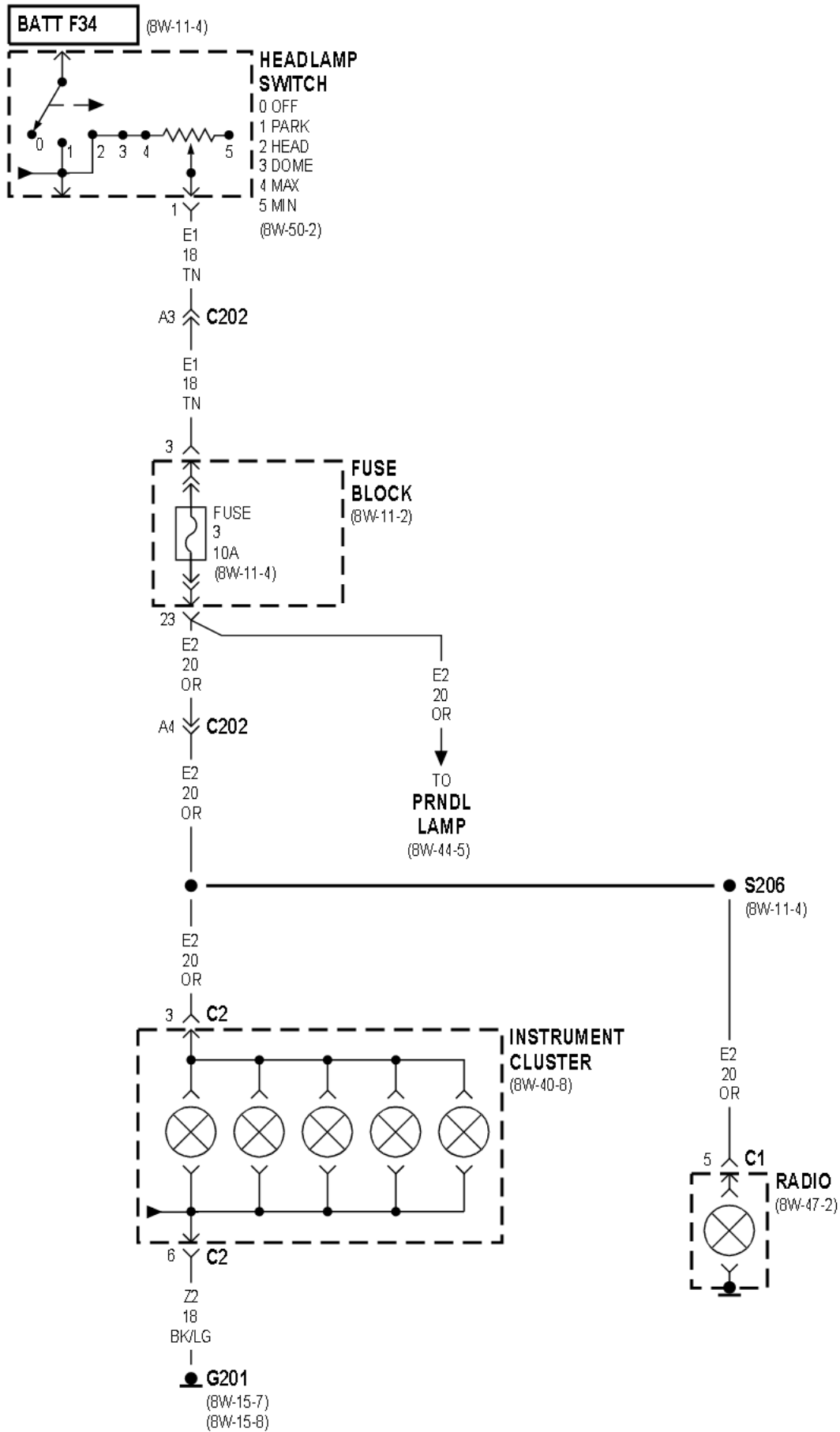
Component	Page	Component	Page
A/C Heater Control	8W-44-5	Key-In Switch	8W-44-4
Dome Lamp	8W-44-2	Left Courtesy Lamp	8W-44-4
Driver Door Ajar Switch	8W-44-4	Mercury Switch	8W-44-3
Front Fog Lamp Switch	8W-44-5	Passenger Door Ajar Switch	8W-44-4
Fuse 3 (FB)	8W-44-5, 6	Power Distribution Center	8W-44-2, 4
Fuse 4 (FB)	8W-44-4	PRNDL Lamp	8W-44-5
Fuse 20 (PDC)	8W-44-2, 4	Radio	8W-44-6
Fuse Block	8W-44-4, 5, 6	Rear Fog Lamp Switch	8W-44-5
G100	8W-44-3	Rear Window Defogger Switch	8W-44-5
G200	8W-44-4, 5	Rear Wiper/Washer Switch	8W-44-5
G201	8W-44-6	Right Courtesy Lamp	8W-44-4
G300	8W-44-4, 5	Sound Bar Dome Lamp	8W-44-2, 4
Headlamp Switch	8W-44-4, 5, 6	Underhood Lamp	8W-44-3, 4
Instrument Cluster	8W-44-4, 6		





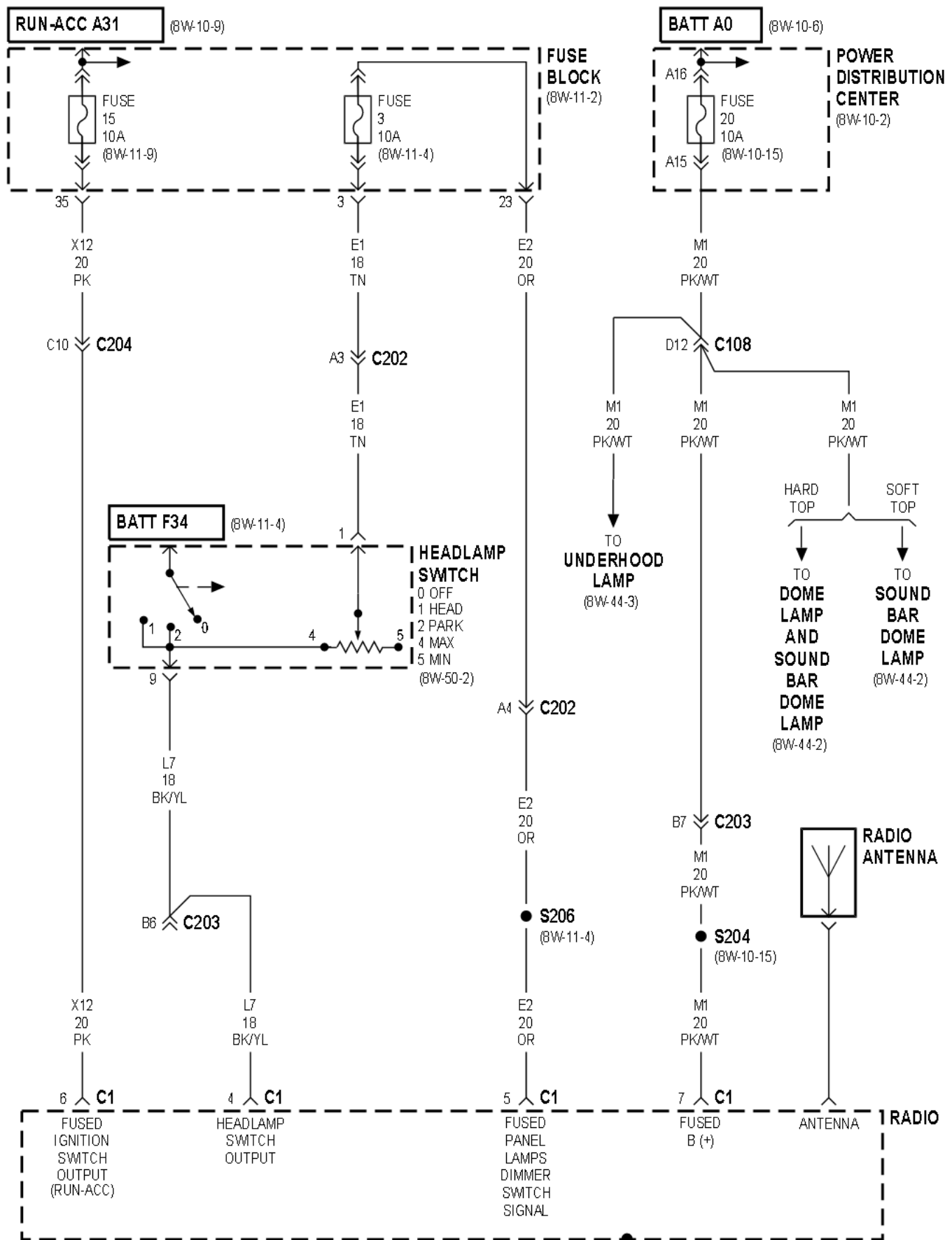


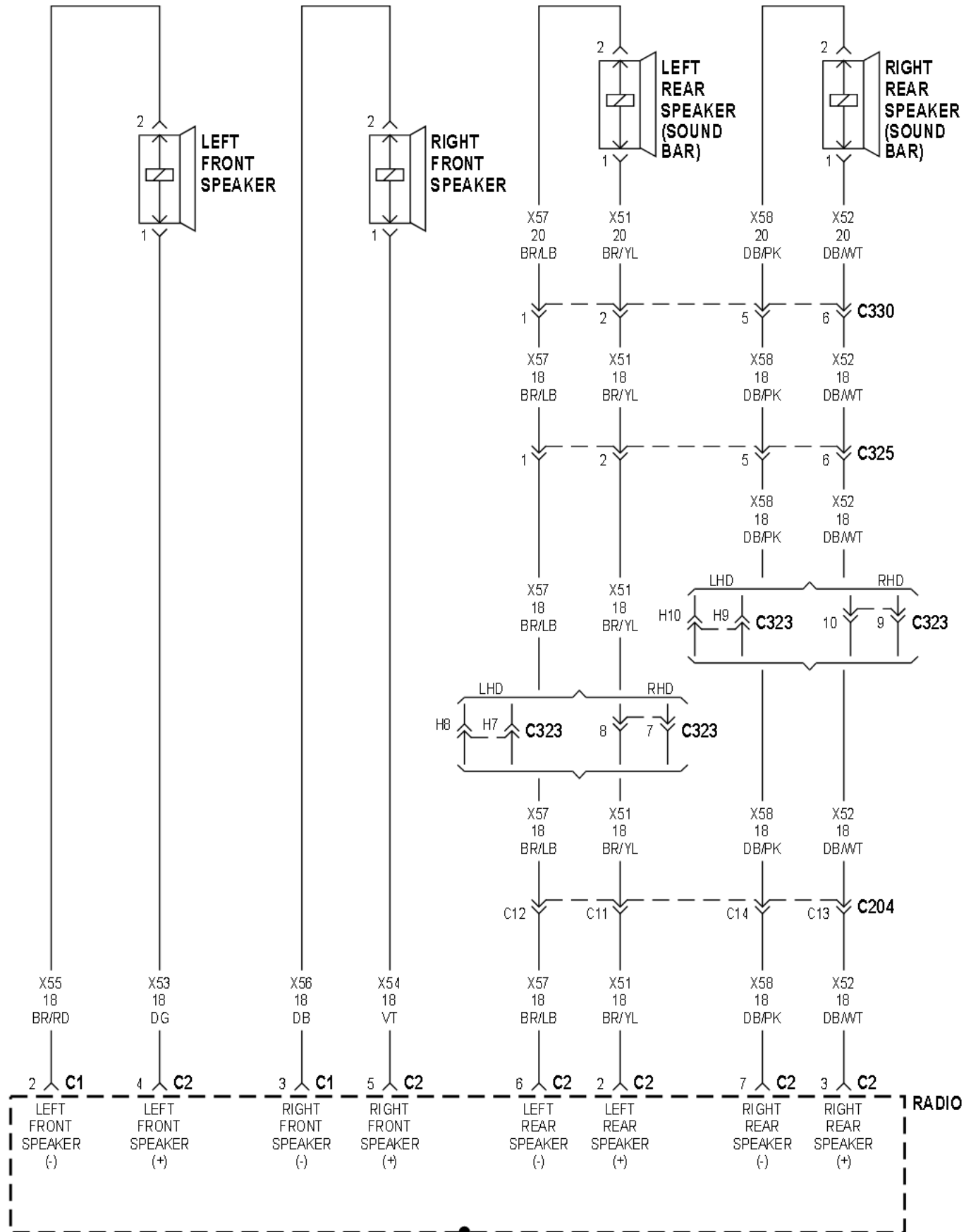




8W-47 AUDIO SYSTEM

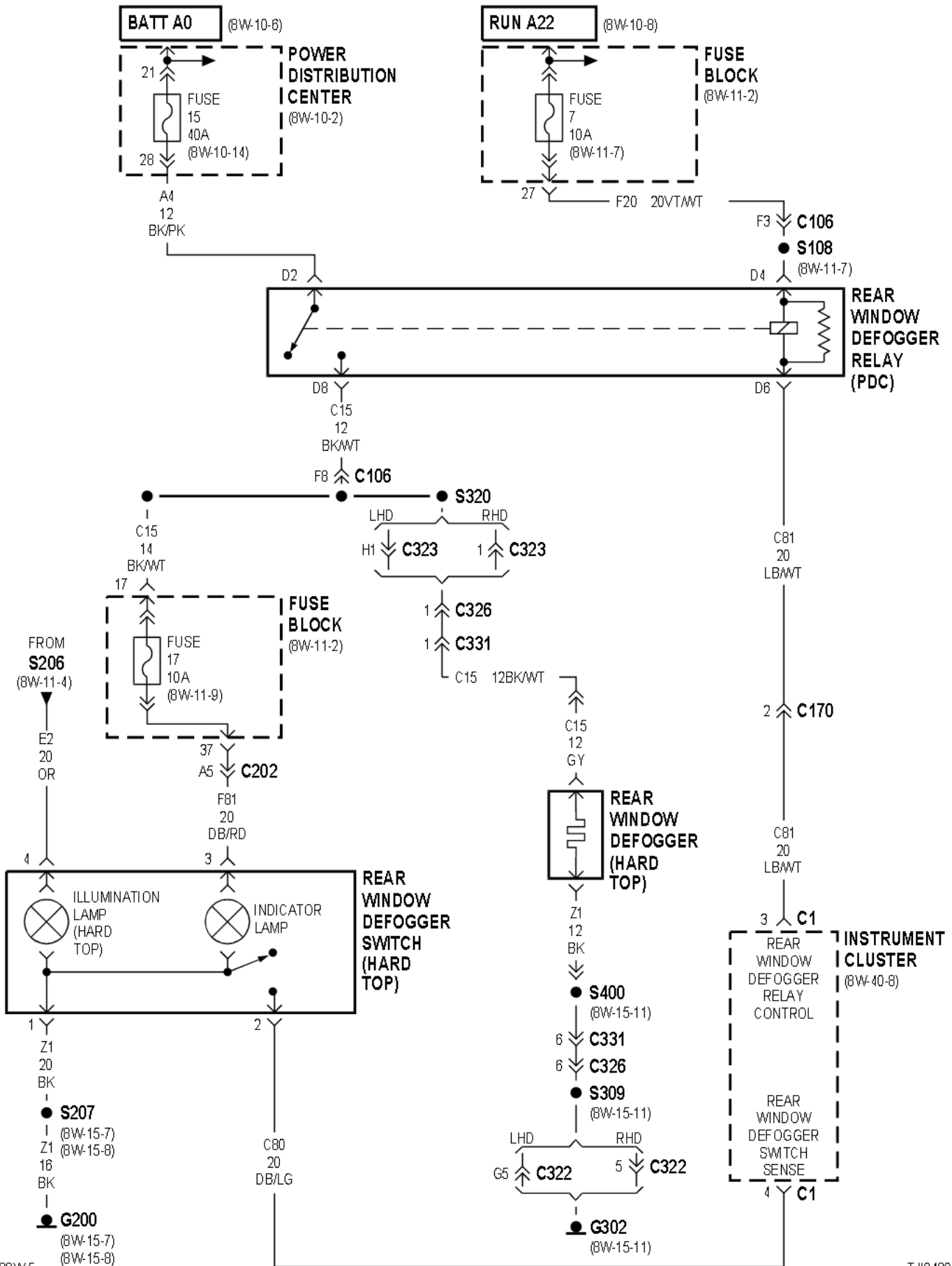
Component	Page	Component	Page
Fuse 3 (FB)	8W-47-2	Power Distribution Center	8W-47-2
Fuse 15 (FB)	8W-47-2	Radio	8W-47-2, 3
Fuse 20 (PDC)	8W-47-2	Radio Antenna	8W-47-2
Fuse Block	8W-47-2	Right Front Speaker	8W-47-3
Headlamp Switch	8W-47-2	Right Rear Speaker	8W-47-3
Left Front Speaker	8W-47-3	Sound Bar Dome Lamp	8W-47-2
Left Rear Speaker	8W-47-3	Underhood Lamp	8W-47-2





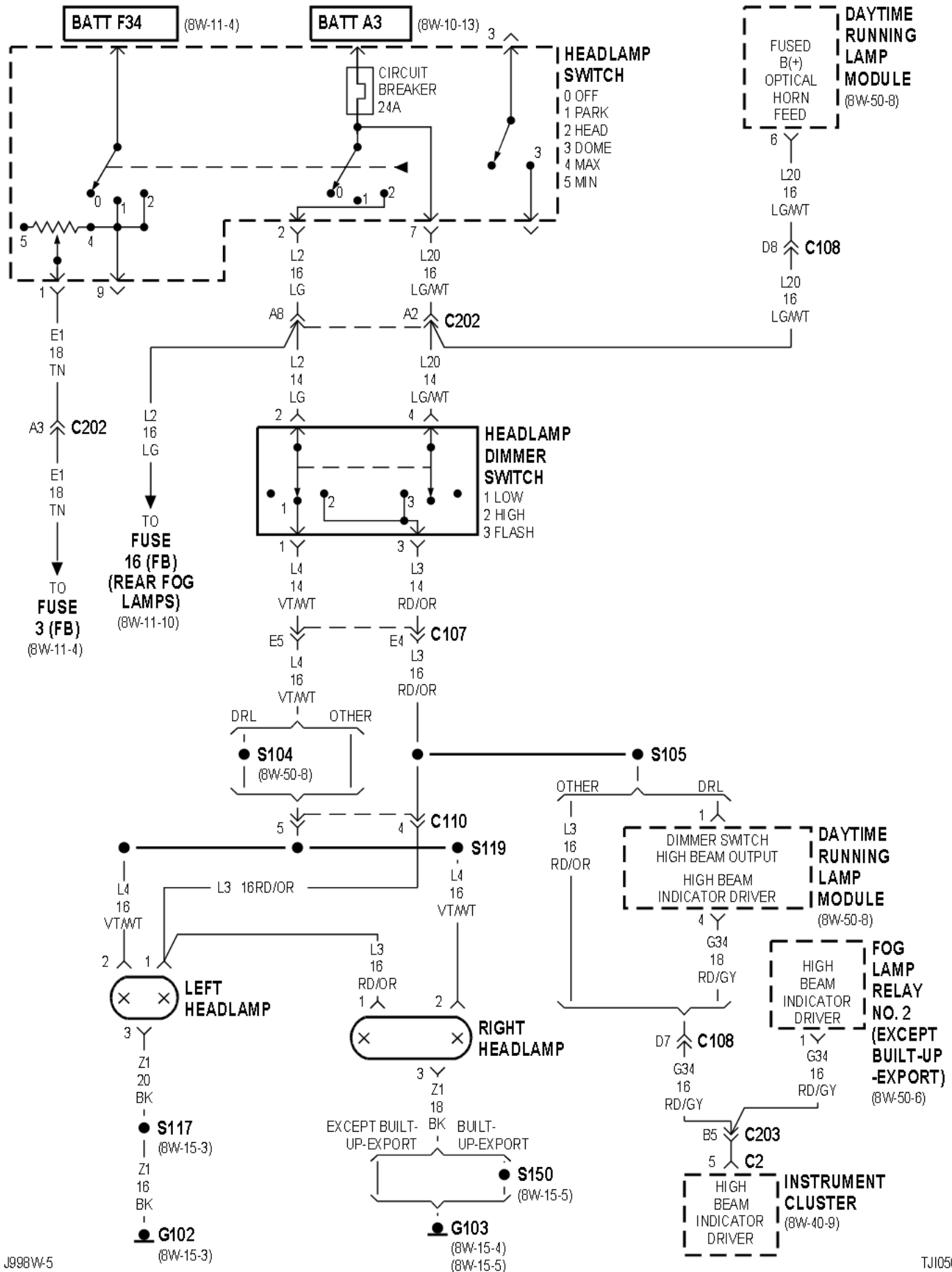
8W-48 REAR WINDOW DEFOGGER

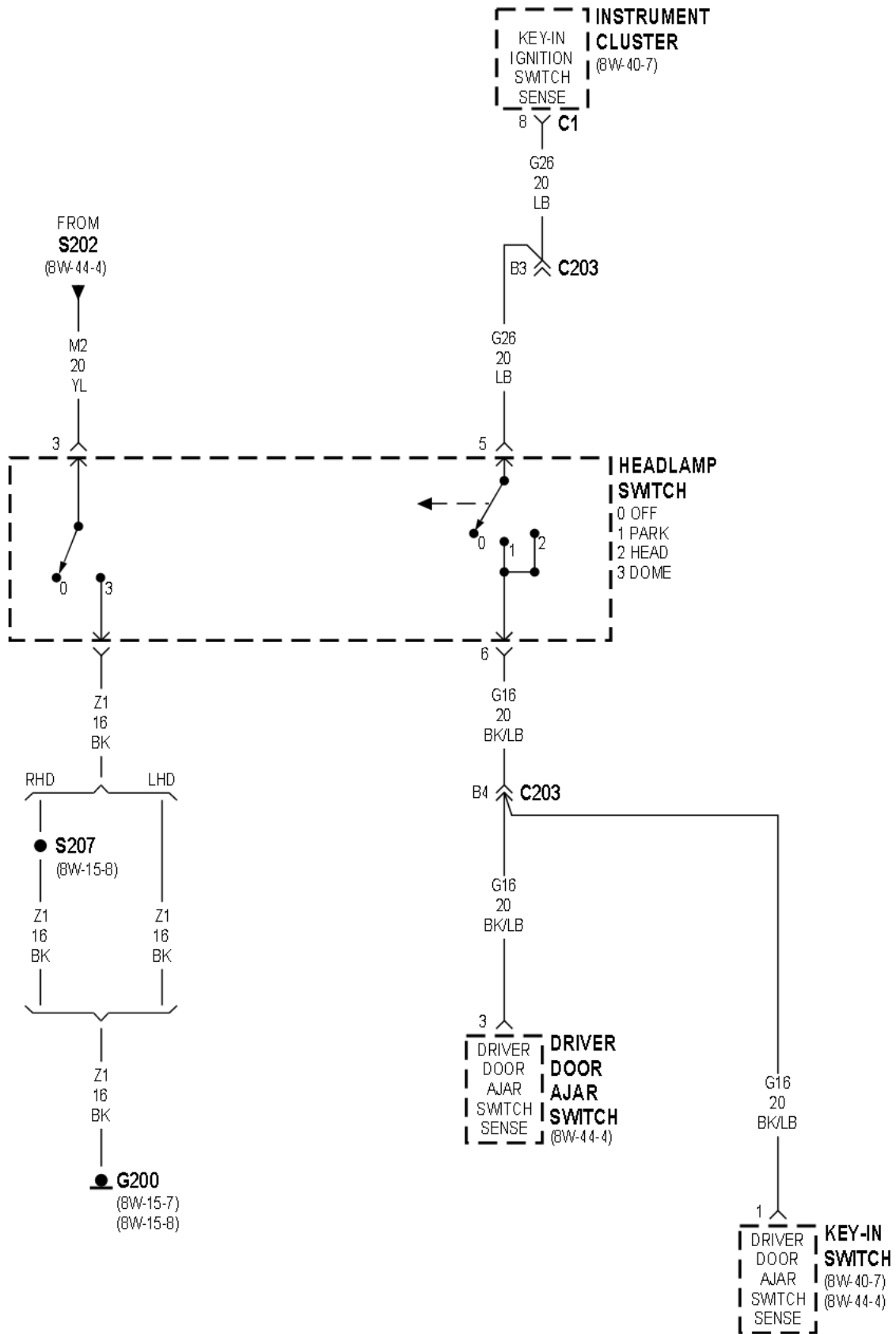
Component	Page	Component	Page
Fuse 7 (FB)	8W-48-2	Indicator Lamp	8W-48-2
Fuse 15 (PDC)	8W-48-2	Instrument Cluster	8W-48-2
Fuse 17 (FB)	8W-48-2	Power Distribution Center	8W-48-2
Fuse Block	8W-48-2	Rear Window Defogger	8W-48-2
G200	8W-48-2	Rear Window Defogger Relay	8W-48-2
G302	8W-48-2	Rear Window Defogger Switch	8W-48-2
Illumination Lamp	8W-48-2		

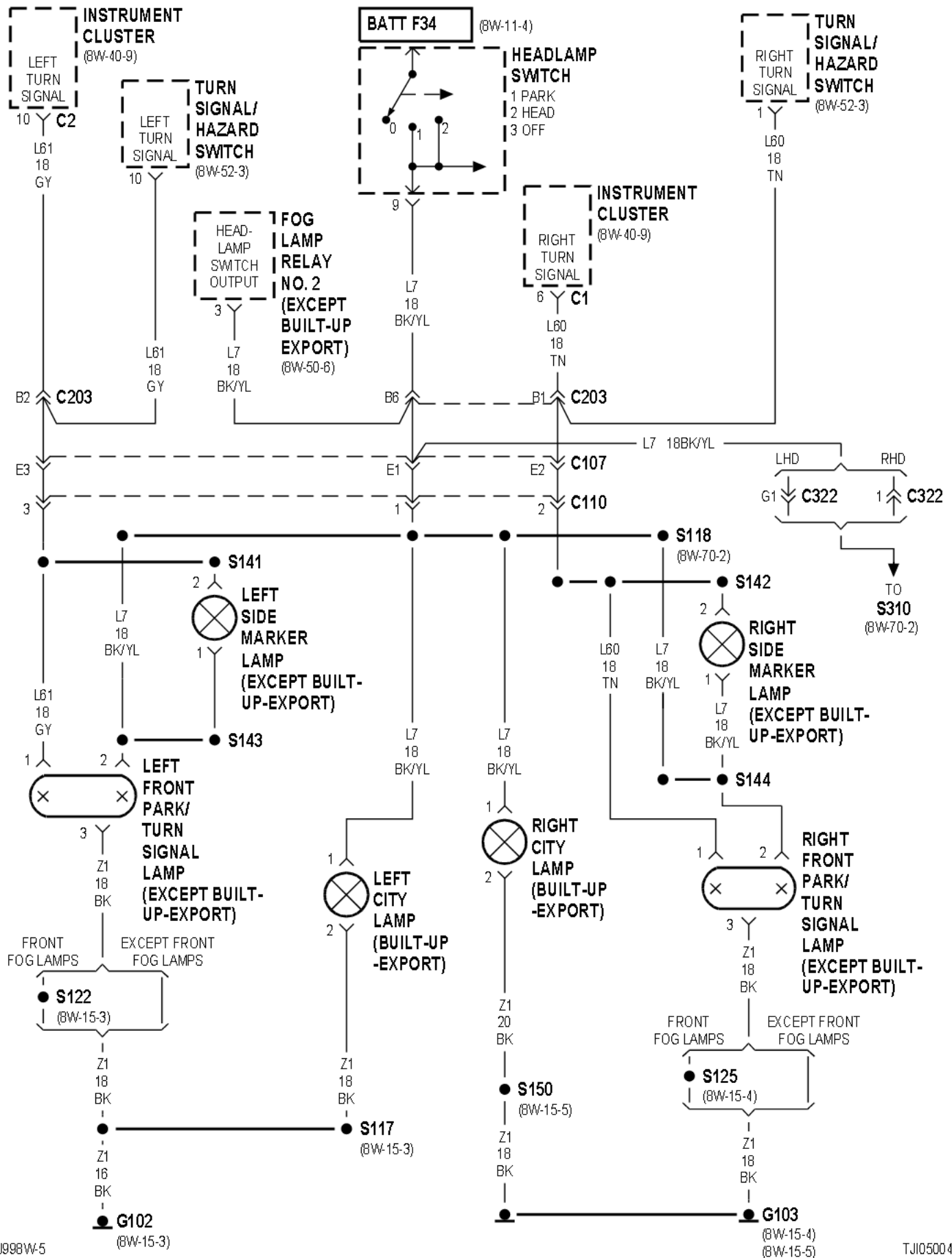


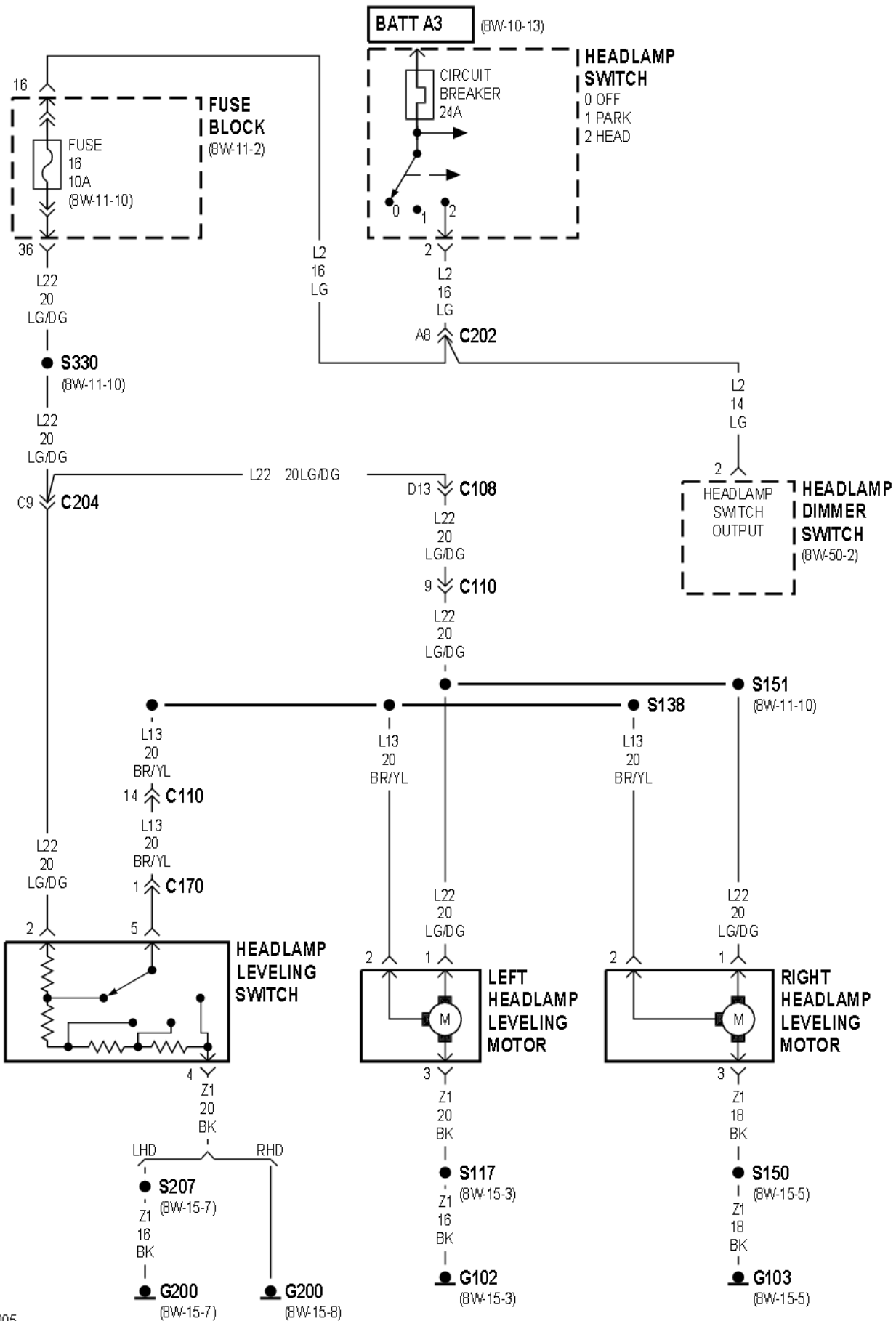
8W-50 FRONT LIGHTING

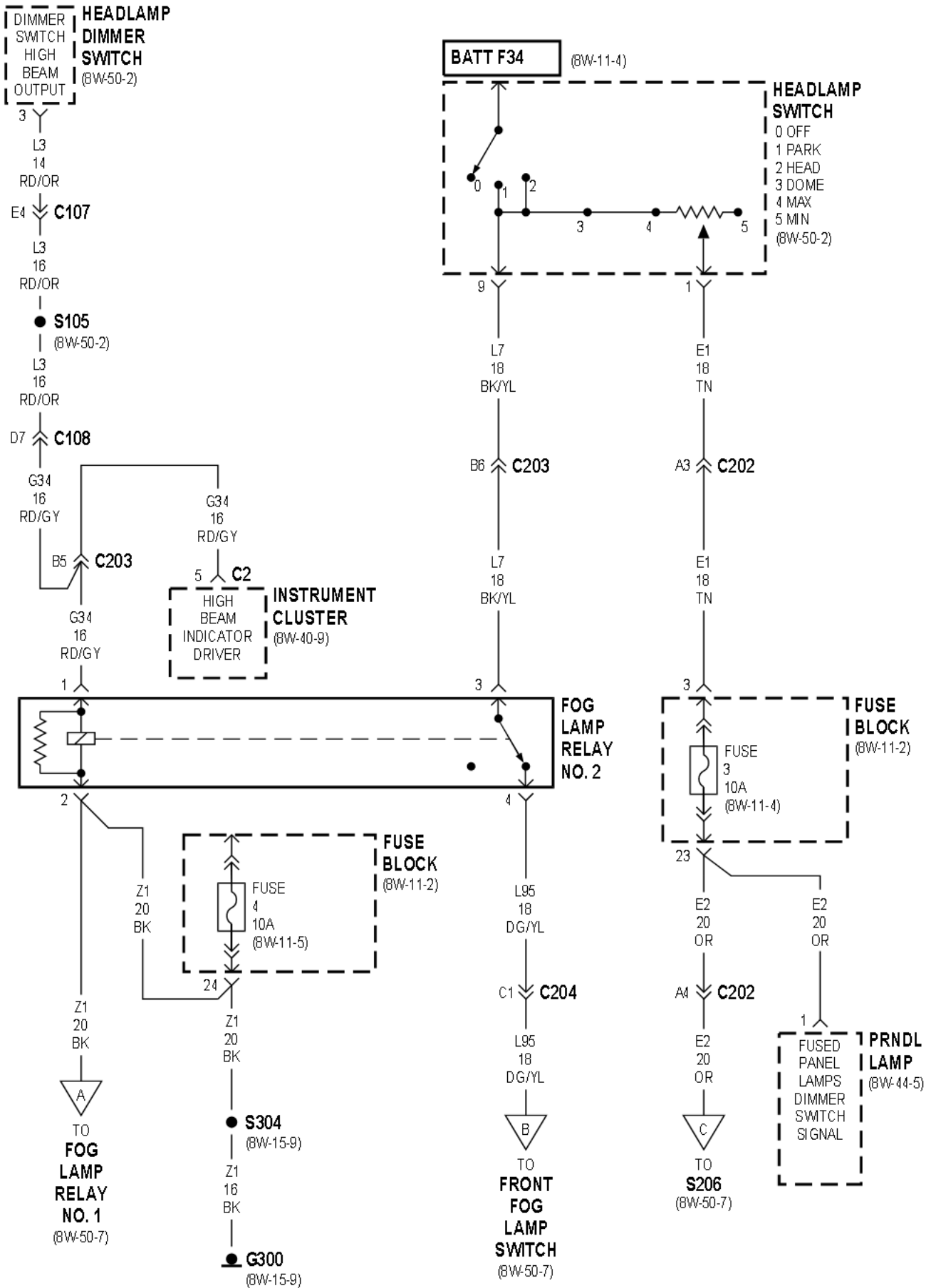
Component	Page	Component	Page
Circuit Breaker	8W-50-2, 5	Instrument Cluster	8W-50-2, 3, 4, 6, 8
Daytime Running Lamp Module	8W-50-2, 8	Key-In Switch	8W-50-3
Driver Door Ajar Switch	8W-50-3	Left City Lamp	8W-50-4
Fog Lamp Relay No. 1	8W-50-7	Left Fog Lamp	8W-50-7
Fog Lamp Relay No. 2	8W-50-2, 4, 6, 8	Left Front Park/Turn Signal Lamp	8W-50-4
Front Fog Lamp Switch	8W-50-7	Left Headlamp	8W-50-2, 8
Fuse 3 (FB)	8W-50-2, 6	Left Headlamp Leveling Motor	8W-50-5
Fuse 4 (FB)	8W-50-6	Left Side Marker Lamp	8W-50-4
Fuse 11 (FB)	8W-50-8	Power Distribution Center	8W-50-7
Fuse 16 (FB)	8W-50-2, 5	Powertrain Control Module	8W-50-8
Fuse 25 (PDC)	8W-50-7	PRNDL Lamp	8W-50-6
Fuse Block	8W-50-5, 6, 8	Right City Lamp	8W-50-4
G100	8W-50-8	Right Fog Lamp	8W-50-7
G102	8W-50-2, 4, 5, 7	Right Front Park/Turn Signal Lamp	8W-50-4
G103	8W-50-2, 4, 5, 7	Right Headlamp	8W-50-2, 8
G200	8W-50-3, 5, 7	Right Headlamp Leveling Motor	8W-50-5
G300	8W-50-6	Right Side Marker Lamp	8W-50-4
Headlamp Dimmer Switch	8W-50-2, 5, 6, 8	Turn Signal/Hazard Switch	8W-50-4
Headlamp Leveling Switch	8W-50-5	Vehicle Speed Sensor	8W-50-8
Headlamp Switch	8W-50-2, 3, 4, 5, 6, 8		

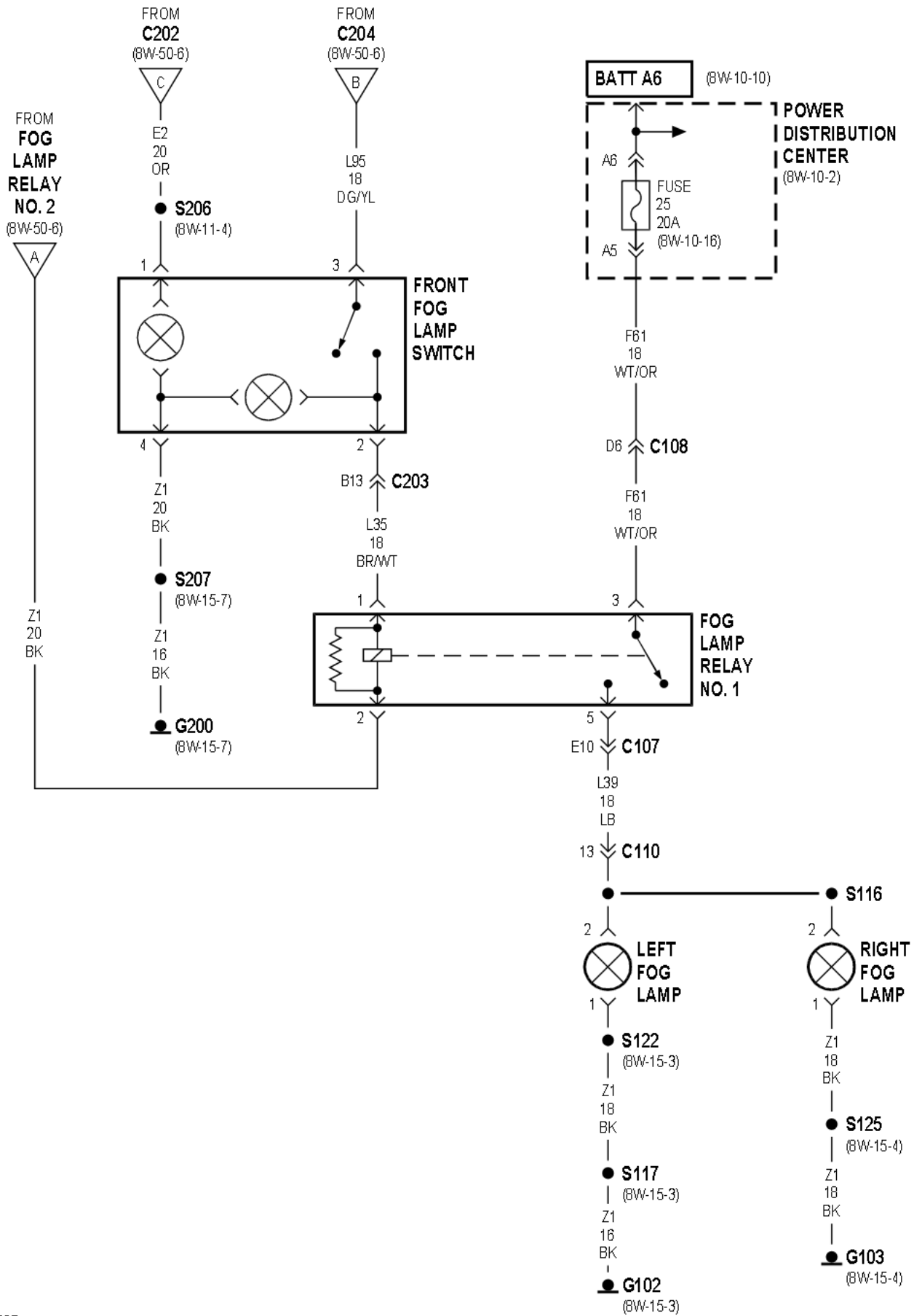


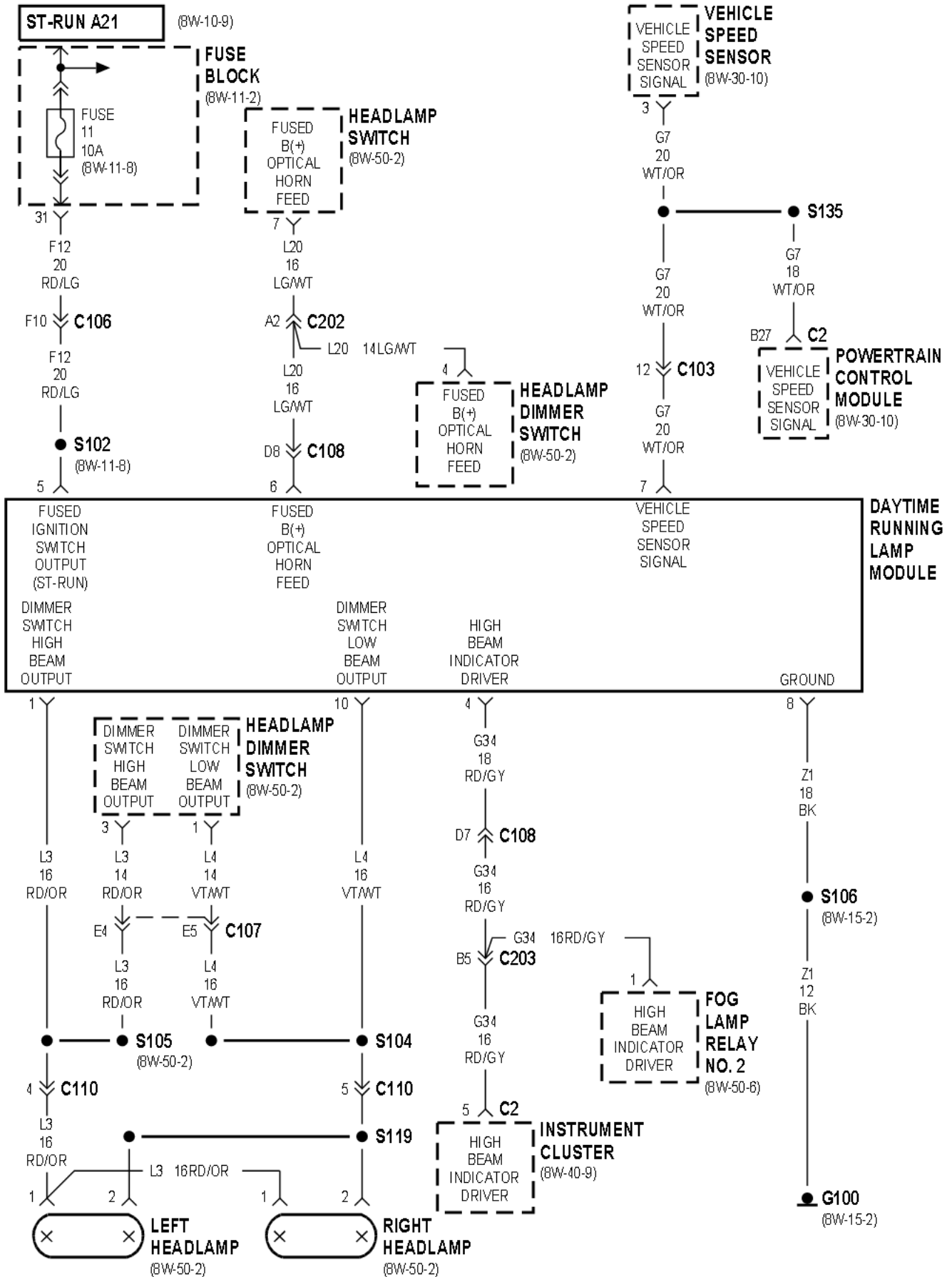






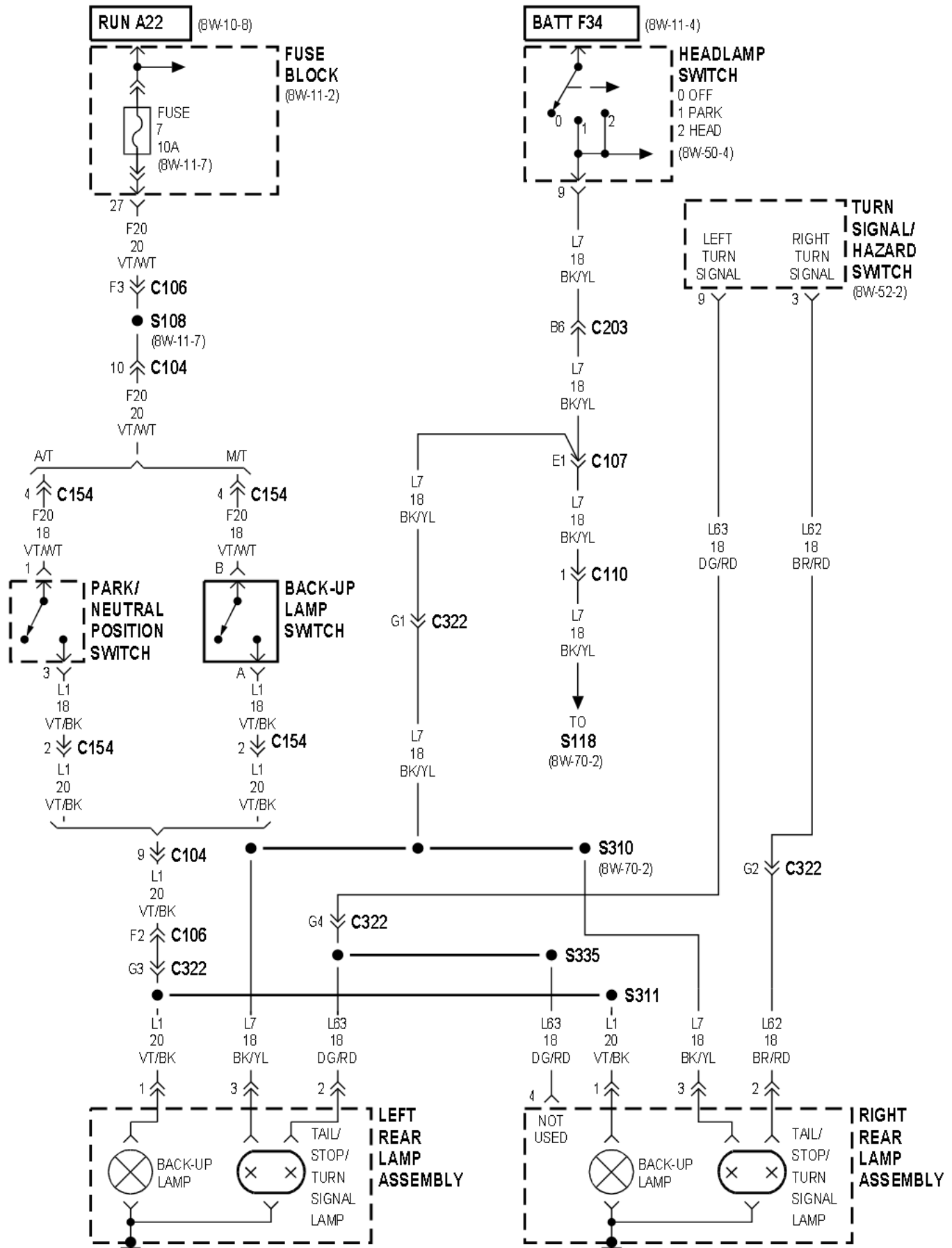


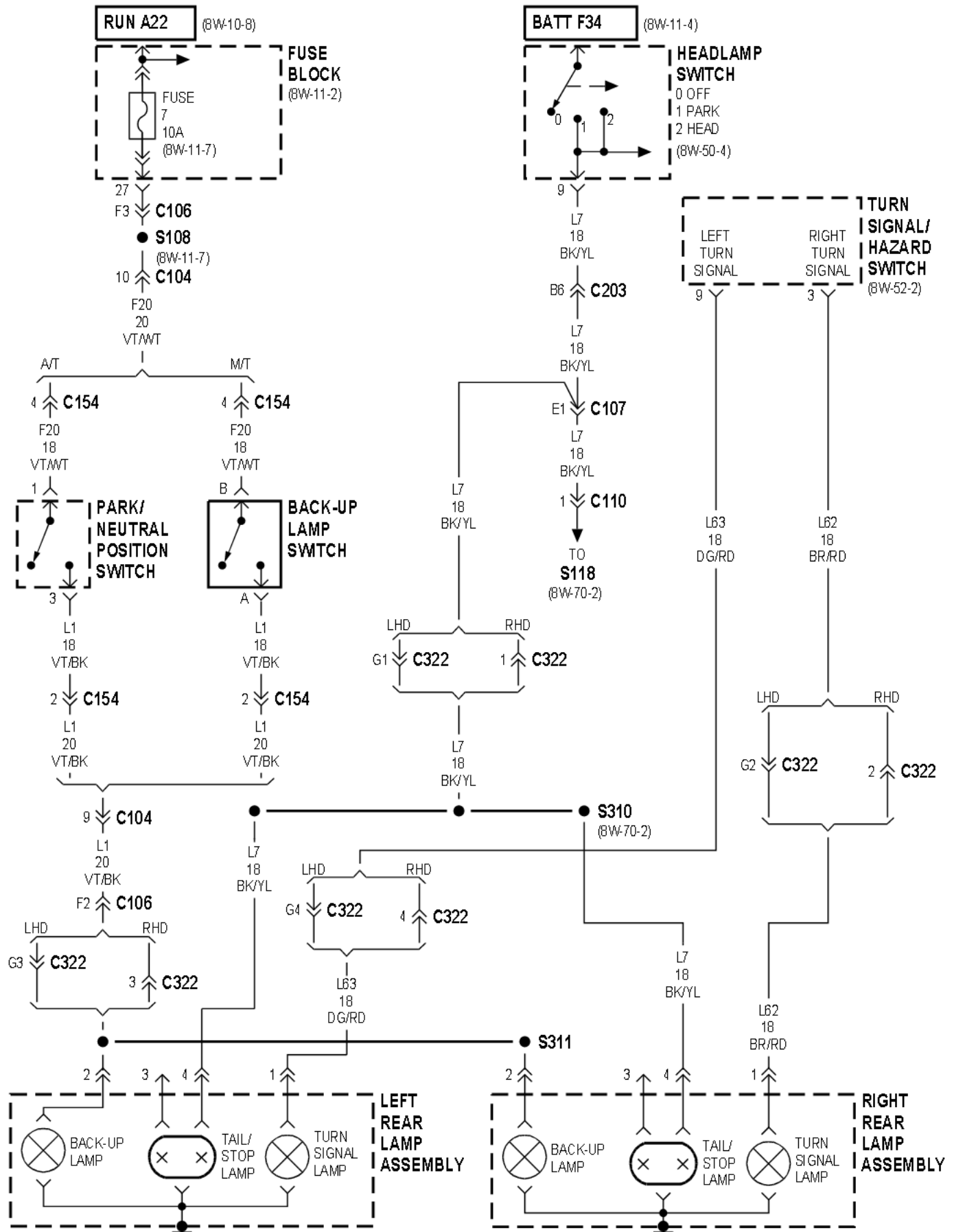


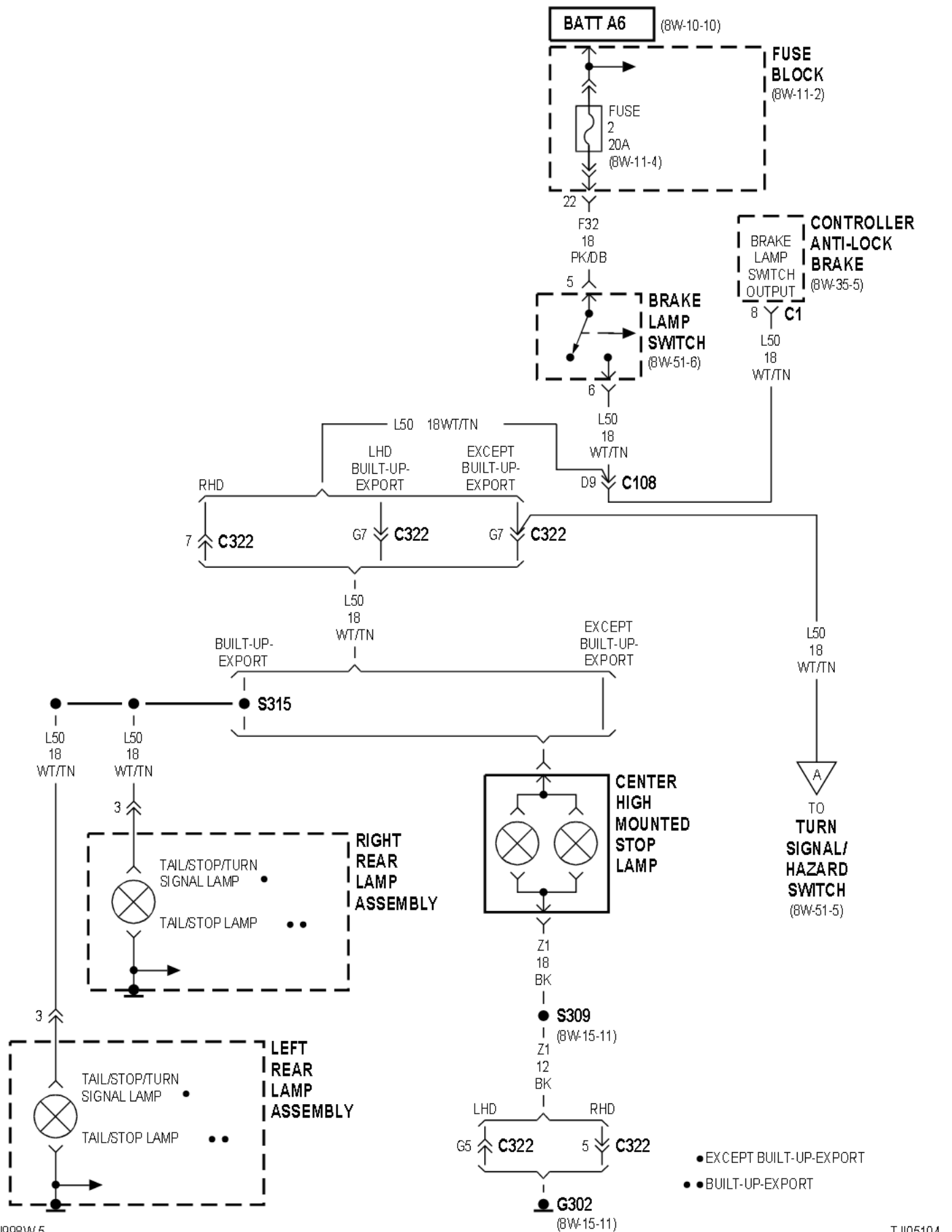


8W-51 REAR LIGHTING

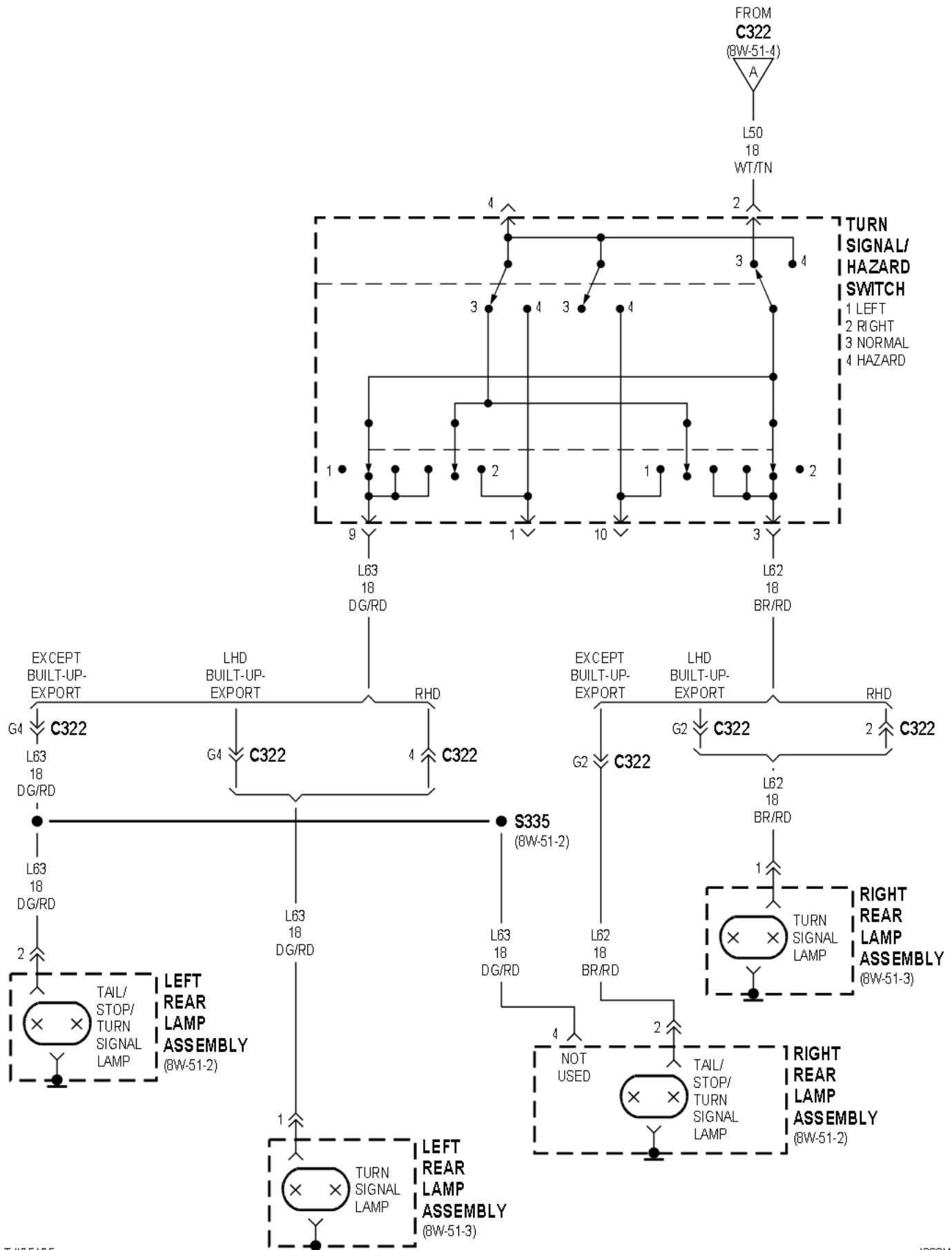
Component	Page	Component	Page
Back-Up Lamps	8W-51-2, 3	G302	8W-51-4, 7, 8
Back-Up Lamp Switch	8W-51-2, 3	Headlamp Dimmer Switch	8W-51-7, 8
Brake Lamp Switch	8W-51-4, 6	Headlamp Switch	8W-51-2, 3, 7, 8
Brake Shift Interlock Solenoid	8W-51-6	Left License Lamp	8W-51-7, 8
Center High Mounted Stop Lamp	8W-51-4, 6	Left Rear Lamp Assembly	8W-51-2, 3, 4, 5, 6
Cigar Lighter/Accessory Relay	8W-51-6	Park/Neutral Position Switch	8W-51-2, 3
Circuit Breaker	8W-51-7, 8	Powertrain Control Module	8W-51-6
Controller Anti-Lock Brake	8W-51-4, 6	PRNDL Lamp	8W-51-7, 8
Fog Lamp Illumination	8W-51-7, 8	Rear Fog Lamp	8W-51-7, 8
Fog Lamp Indicator	8W-51-7, 8	Rear Fog Lamp Relay	8W-51-7, 8
Fuse 2 (FB)	8W-51-4, 6	Rear Fog Lamp Switch	8W-51-7, 8
Fuse 3 (FB)	8W-51-7, 8	Right License Lamp	8W-51-7, 8
Fuse 4 (FB)	8W-51-7, 8	Right Rear Lamp Assembly	8W-51-2, 3, 4, 5, 6
Fuse 7 (FB)	8W-51-2, 3	Tail/Stop/Turn Signal Lamps	8W-51-2, 5
Fuse 16 (FB)	8W-51-7, 8	Tail/Turn Signal Lamps	8W-51-3
Fuse Block	8W-51-2, 3, 4, 6, 7, 8	Turn Signal/Hazard Switch	8W-51-2, 3, 5, 6
G200	8W-51-7, 8	Vehicle Speed Control Servo	8W-51-6
G300	8W-51-6, 7, 8		

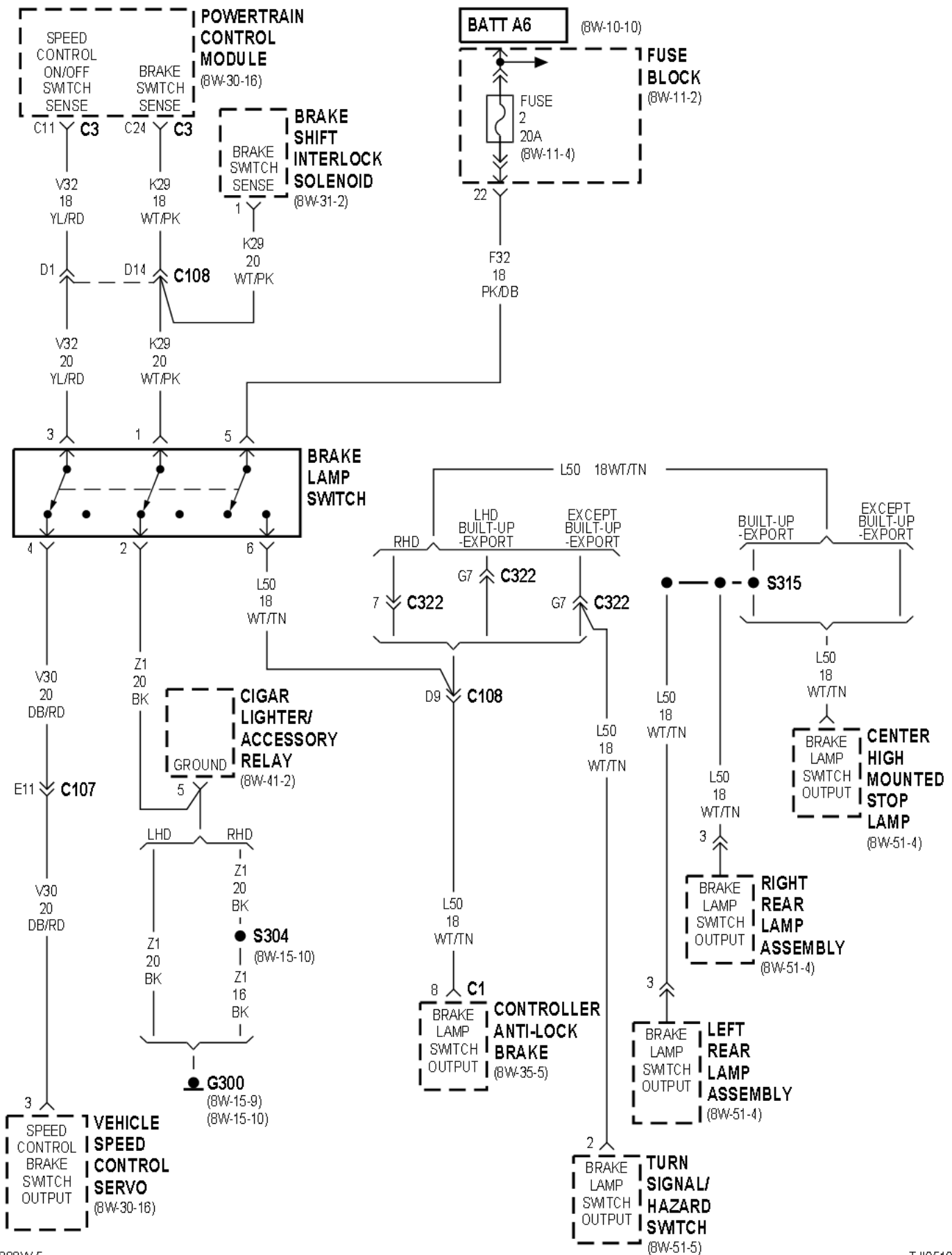






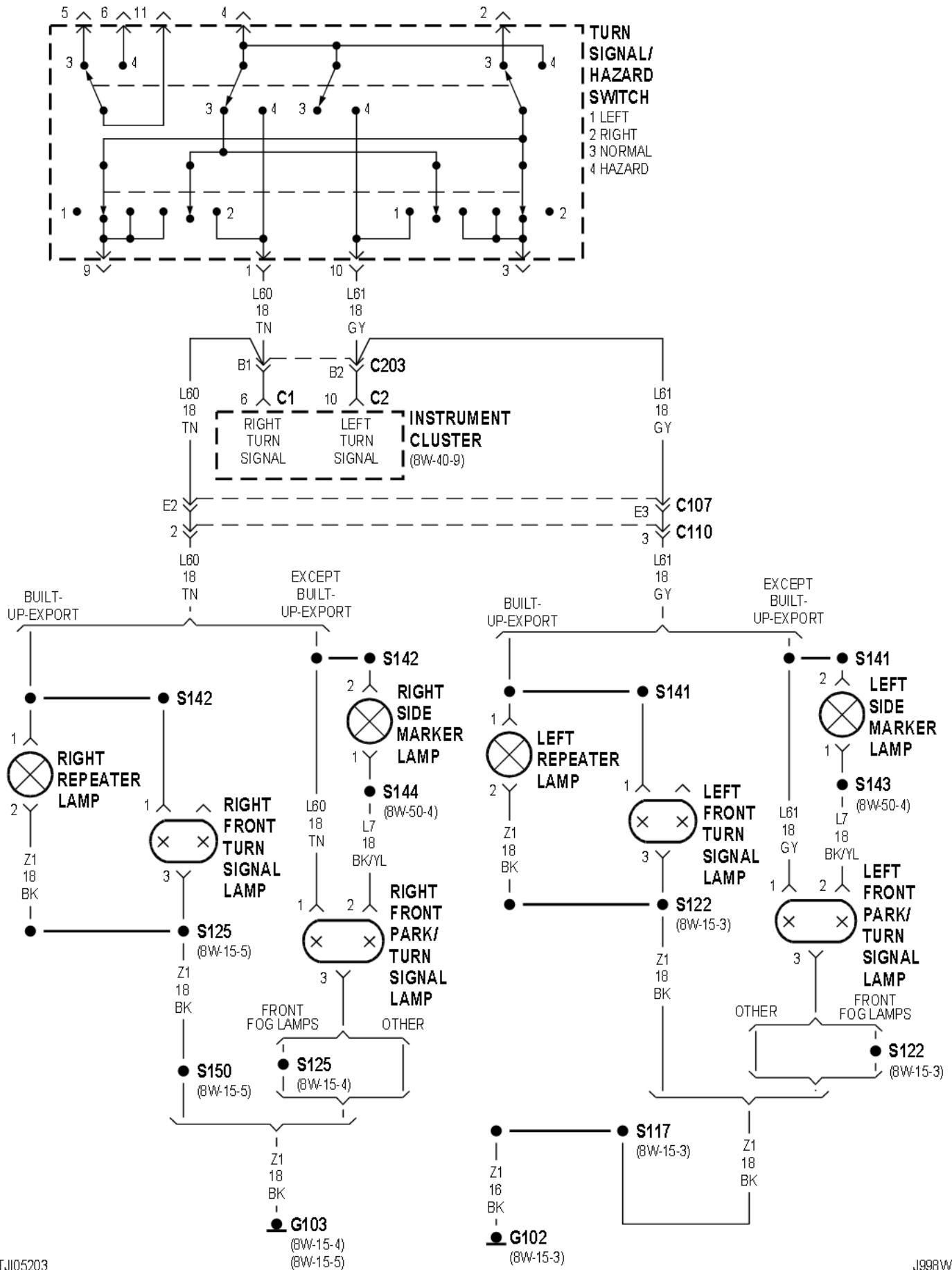
- EXCEPT BUILT-UP-EXPORT
- BUILT-UP-EXPORT





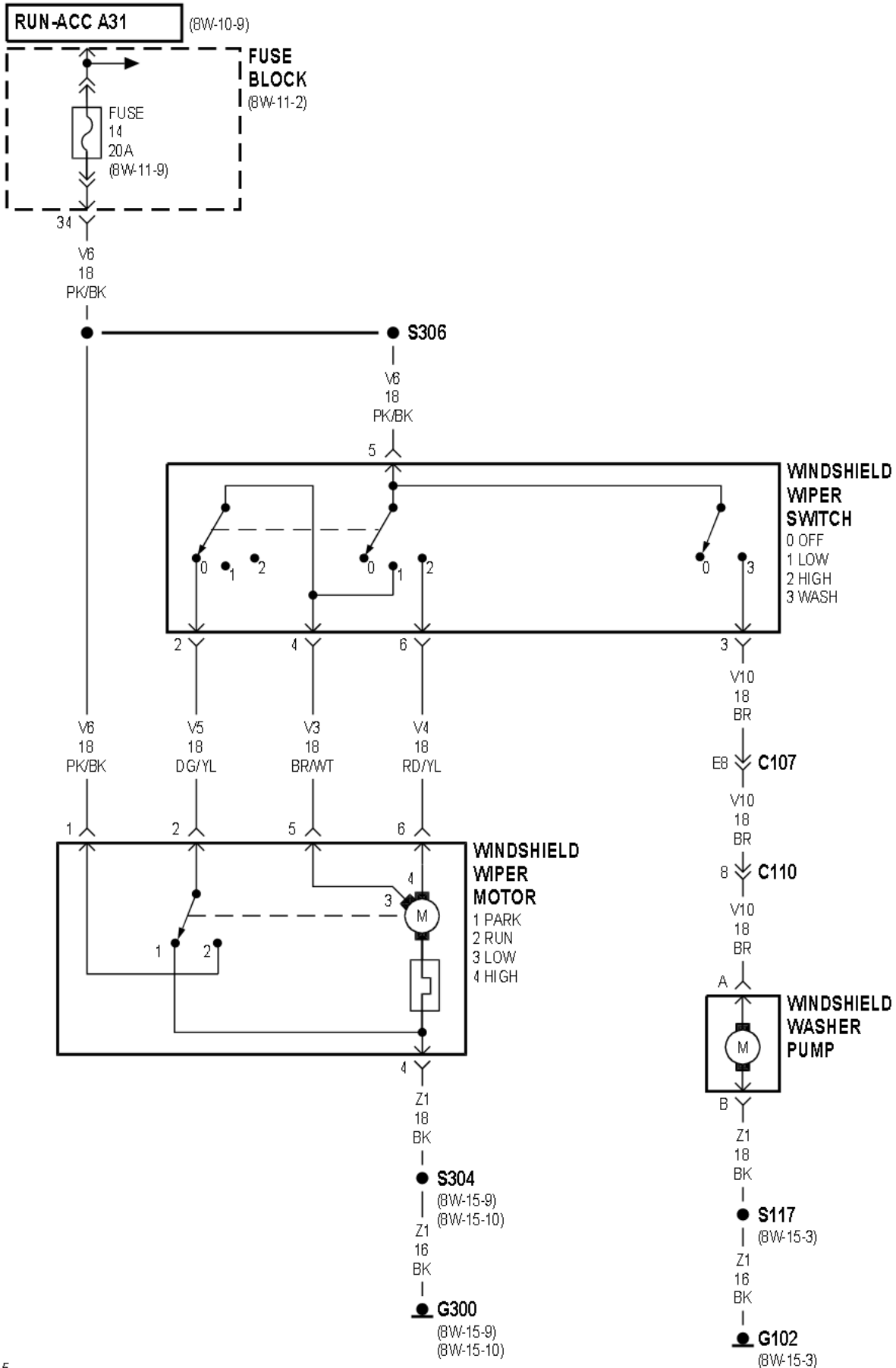
8W-52 TURN SIGNALS

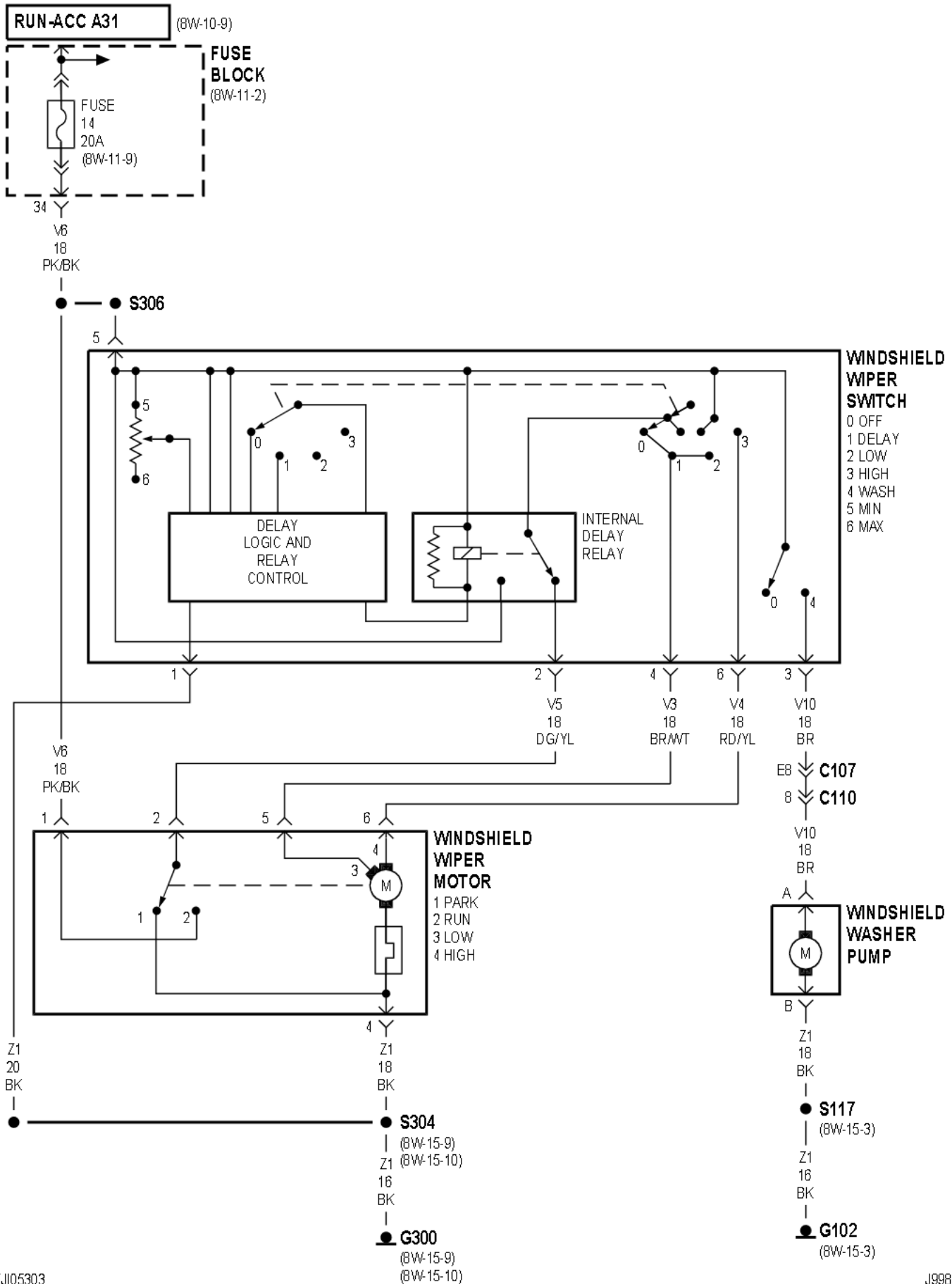
Component	Page	Component	Page
Combination Flasher	8W-52-2	Left Repeater Lamp	8W-52-3
Fuse 9 (PDC)	8W-52-2	Left Side Marker Lamp	8W-52-3
Fuse 13 (FB)	8W-52-2	Power Distribution Center	8W-52-2
Fuse Block	8W-52-2	Right Front Park/Turn Signal Lamp	8W-52-3
G102	8W-52-3	Right Front Turn Signal Lamp	8W-52-3
G103	8W-52-3	Right Rear Lamp Assembly	8W-52-2
G300	8W-52-2	Right Repeater Lamp	8W-52-3
Instrument Cluster	8W-52-3	Right Side Marker Lamp	8W-52-3
Left Front Park/Turn Signal Lamp	8W-52-3	Tail/Stop/Turn Signal Lamp	8W-52-2
Left Front Turn Signal Lamp	8W-52-3	Turn Signal/Hazard Switch	8W-52-2, 3
Left Rear Lamp Assembly	8W-52-2		



8W-53 WIPERS

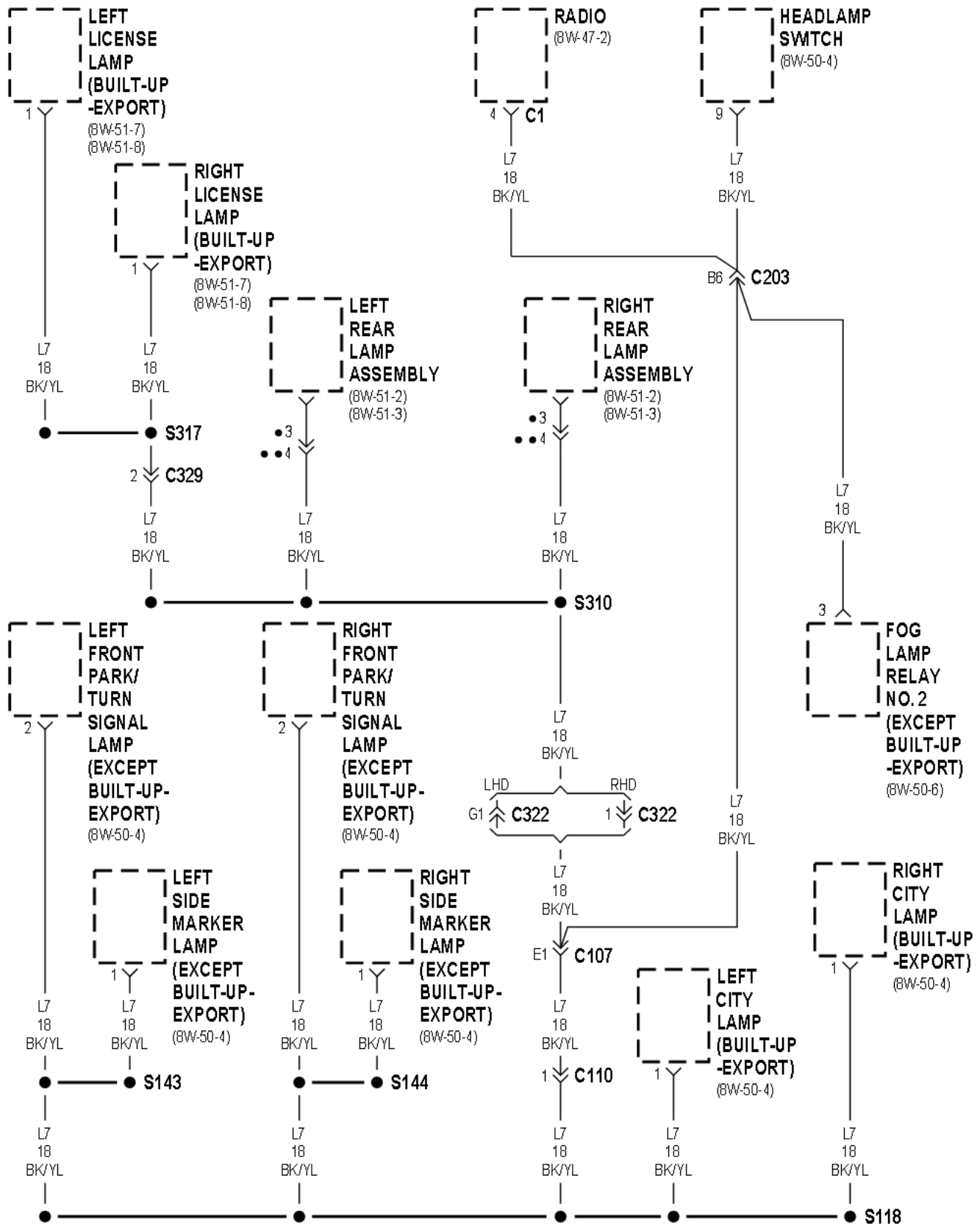
Component	Page	Component	Page
Fuse 3 (FB)	8W-53-4	Internal Delay Relay	8W-53-3
Fuse 6 (FB)	8W-53-4	PRNDL Lamp	8W-53-4
Fuse 14 (FB)	8W-53-2, 3	Rear Washer Pump	8W-53-4
Fuse Block	8W-53-2, 3, 4	Rear Wiper Motor	8W-53-4
G102	8W-53-2, 3	Rear Wiper/Washer Switch	8W-53-4
G200	8W-53-4	Windshield Washer Pump	8W-53-2, 3
G300	8W-53-2, 3	Windshield Wiper Motor	8W-53-2, 3
G302	8W-53-4	Windshield Wiper Switch	8W-53-2, 3
Headlamp Switch	8W-53-4		



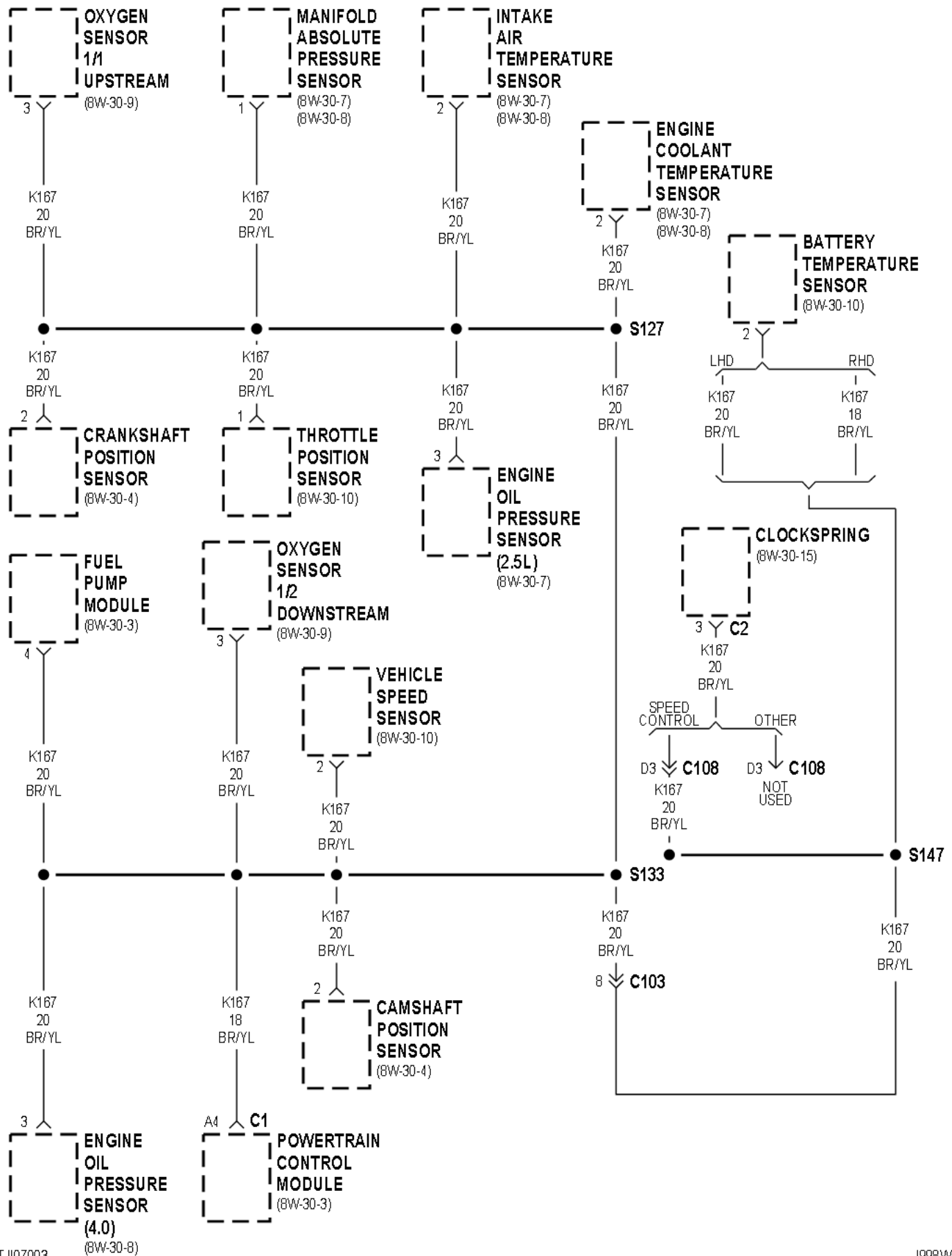


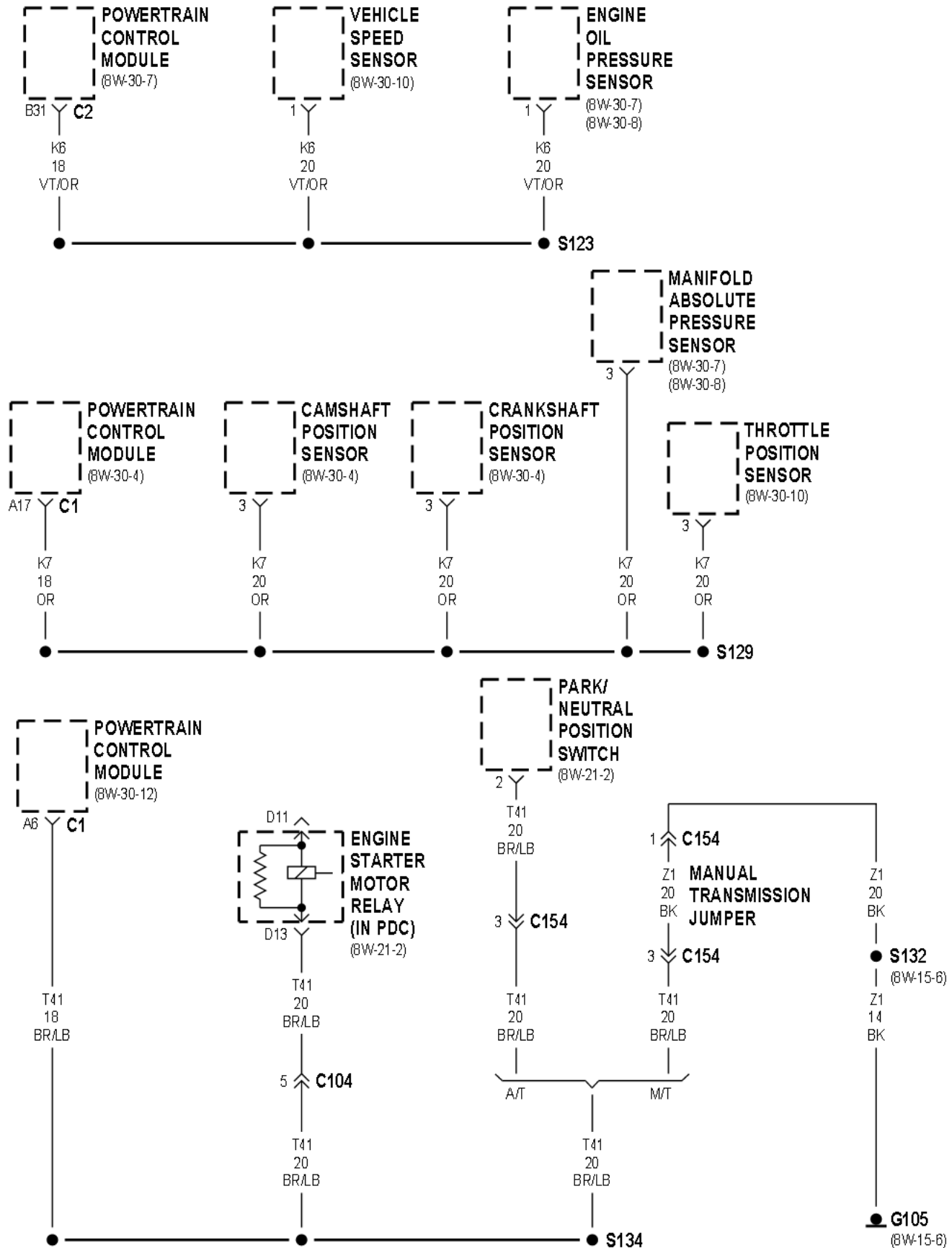
8W-70 SPLICE INFORMATION

Component	Page	Component	Page
S101	8W-10-11	S141	8W-50-4
S102	8W-11-8	S142	8W-50-4
S103	8W-42-4	S143	8W-50-4
S104	8W-50-8	S144	8W-50-4
S105	8W-50-2, 8	S146	8W-10-17
S106	8W-15-2	S147	8W-70-3
S107	8W-10-11	S150	8W-15-5
S108	8W-11-7	S151	8W-11-10
S109	8W-15-2	S202	8W-44-4
S110	8W-10-17	S204	8W-10-15
S112	8W-10-17	S206	8W-11-4
S114	8W-10-17	S207	8W-15-7, 8
S115	8W-10-16	S301	8W-44-4
S116	8W-10-16	S302	8W-30-14
S117	8W-15-3	S303	8W-30-14
S118	8W-70-2	S304	8W-15-9, 10
S119	8W-50-2, 8	S306	8W-11-9
S122	8W-15-3	S307	8W-10-9
S123	8W-70-4	S309	8W-15-11
S124	8W-10-11	S310	8W-70-2
S125	8W-15-4, 5	S311	8W-51-2, 3
S126	8W-10-12	S313	8W-10-15
S127	8W-70-3	S314	8W-44-2
S128	8W-10-12	S315	8W-51-4, 6
S129	8W-70-4	S316	8W-15-11
S130	8W-15-6	S317	8W-51-7, 8
S131	8W-11-8	S320	8W-10-14
S132	8W-15-6	S330	8W-11-10
S133	8W-70-3	S331	8W-10-8
S134	8W-15-6	S332	8W-10-10
S135	8W-30-10	S335	8W-51-2
S136	8W-10-6	S400	8W-15-11
S138	8W-50-5	S401	8W-11-6



- EXCEPT BUILT-UP-EXPORT
- BUILT-UP-EXPORT



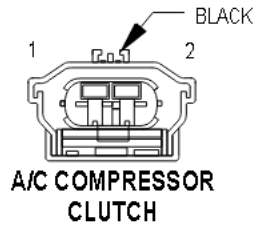


8W-80 CONNECTOR PIN-OUTS

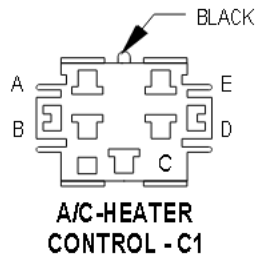
Component	Page	Component	Page
A/C Compressor Clutch	8W-80-4	C322	8W-80-12
A/C Heater Controls	8W-80-4	C323	8W-80-12, 13
A/C High Pressure Switch	8W-80-4	C325	8W-80-13
A/C Low Pressure Switch	8W-80-5	C326	8W-80-13
ABS Diode	8W-80-5	C329	8W-80-14
ABS Pump Motor	8W-80-5	C330	8W-80-14
Airbag Control Module	8W-80-5	C331	8W-80-14
Back-Up Lamp Switch	8W-80-5	Camshaft Position Sensor	8W-80-14
Battery Temperature Sensor	8W-80-6	Cigar Lighter/Accessory Relay	8W-80-15
Brake Lamp Switch	8W-80-6	Cigar Lighter/Power Outlet	8W-80-15
Brake Shift Interlock Solenoid	8W-80-6	Clocksprings	8W-80-15
Brake Warning Indicator Switch	8W-80-6	Clutch Pedal Position Switch	8W-80-15
C103	8W-80-6	Combination Flasher	8W-80-15
C104	8W-80-7	Controller Anti-Lock Brake	8W-80-16
C106	8W-80-7	Crankshaft Position Sensor	8W-80-16
C107	8W-80-8	Data Link Connector	8W-80-17
C108	8W-80-8	Daytime Running Lamp Module	8W-80-17
C110	8W-80-9	Driver Door Ajar Switch	8W-80-18
C154	8W-80-9	Duty Cycle Evap/Purge Solenoid	8W-80-18
C170	8W-80-10	Engine Coolant Temperature Sensor	8W-80-18
C180	8W-80-10	Engine Oil Pressure Sensor	8W-80-18
C202	8W-80-10	Fog Lamp Relay No. 1	8W-80-19
C203	8W-80-11	Fog Lamp Relay No. 2	8W-80-19
C204	8W-80-11	Front Fog Lamp Switch	8W-80-19

Component	Page	Component	Page
Fuel Injector No. 1	8W-80-19	Left Fog Lamp	8W-80-25
Fuel Injector No. 2	8W-80-20	Left Front Park/Turn Signal Lamp	8W-80-25
Fuel Injector No. 3	8W-80-20	Left Front Speaker	8W-80-25
Fuel Injector No. 4	8W-80-20, 21	Left Front Turn Signal Lamp	8W-80-26
Fuel Injector No. 5	8W-80-21	Left Front Wheel Speed Sensor	8W-80-26
Fuel Injector No. 6	8W-80-21	Left Headlamp	8W-80-26
Fuel Pump Module	8W-80-21	Left Headlamp Leveling Motor	8W-80-26
G-Switch	8W-80-21	Left License Lamp	8W-80-26
Generator	8W-80-21	Left Rear Lamp Assembly	8W-80-27
Headlamp Dimmer Switch	8W-80-22	Left Rear Speaker	8W-80-27
Headlamp Leveling Switch	8W-80-50	Left Rear Wheel Speed Sensor	8W-80-27
Headlamp Switch	8W-80-22	Left Repeater Lamp	8W-80-27
High Note Horn	8W-80-22	Left Side Marker Lamp	8W-80-27
HVAC Unit	8W-80-22	Low Note Horn	8W-80-27
Hydraulic Control Unit	8W-80-23	Manifold Absolute Pressure Sensor	8W-80-28
Idle Air Control Motor	8W-80-23	Oxygen Sensor 1/1 Upstream	8W-80-28
Ignition Coil	8W-80-23	Oxygen Sensor 1/2 Downstream	8W-80-28
Ignition Switch	8W-80-23	Park/Neutral Position Switch	8W-80-28
Instrument Cluster	8W-80-24	Passenger Airbag	8W-80-28
Intake Air Temperature Sensor	8W-80-24	Passanger Airbag On/Off Switches	8W-80-29
Key-In Switch	8W-80-24	Passenger Door Ajar Switch	8W-80-29
Leak Detection Pump	8W-80-25	Power Steering Pressure Switch	8W-80-29
Left City Lamp	8W-80-25	Powertrain Control Modules	8W-80-30, 31, 32
Left Courtesy Lamp	8W-80-25	PRNDL Lamp	8W-80-32

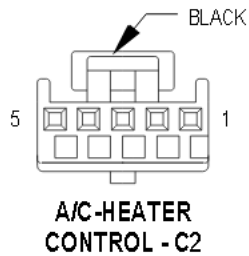
Component	Page	Component	Page
Radio	8W-80-33	Right Rear Lamp Assembly	8W-80-36
Rear Fog Lamp	8W-80-33	Right Rear Speaker	8W-80-36
Rear Fog Lamp Relay	8W-80-33	Right Rear Wheel Speed Sensor	8W-80-37
Rear Fog Lamp Switch	8W-80-33	Right Repeater Lamp	8W-80-37
Rear Washer Pump	8W-80-34	Right Side Marker Lamp	8W-80-37
Rear Window Defogger Switch	8W-80-34	Seatbelt Switch	8W-80-37
Rear Wiper Motor	8W-80-34	Sentry Key Immobilizer Module	8W-80-37
Rear Wiper/Washer Switch	8W-80-34	Sound Bar Dome Lamp	8W-80-37
Right City Lamp	8W-80-35	Throttle Position Sensor	8W-80-38
Right Courtesy Lamp	8W-80-35	Torque Converter Clutch Solenoid	8W-80-38
Right Fog Lamp	8W-80-35	Transfer Case Switch	8W-80-38
Right Front Park/Turn Signal Lamp	8W-80-35	Turn Signal/Hazard Switch	8W-80-38
Right Front Speaker	8W-80-35	Underhood Lamp	8W-80-38
Right Front Turn Signal Lamp	8W-80-35	Vehicle Speed Control Servo	8W-80-39
Right Front Wheel Speed Sensor	8W-80-36	Vehicle Speed Sensor	8W-80-39
Right Headlamp	8W-80-36	Windshield Washer Pump	8W-80-39
Right Headlamp Leveling Motor	8W-80-36	Windshield Wiper Motor	8W-80-39
Right License Lamp	8W-80-36	Windshield Wiper Switch	8W-80-39



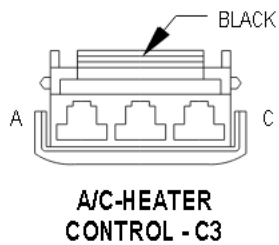
CAV	CIRCUIT	FUNCTION
1	C3 20DB/BK	A/C COMPRESSOR CLUTCH RELAY OUTPUT
2	Z1 20BK	GROUND



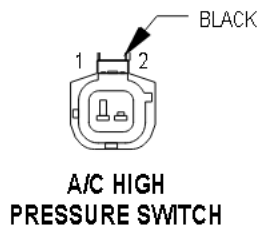
CAV	CIRCUIT	FUNCTION
A	C7 12BR/TN	HIGH SPEED BLOWER MOTOR
B	C6 14LB	M2 SPEED BLOWER MOTOR
C	C5 16LG/LB	M1 SPEED BLOWER MOTOR
D	C4 16TN	LOW SPEED BLOWER MOTOR
E	C1 12DG	BLOWER MOTOR FEED



CAV	CIRCUIT	FUNCTION
1	Z11 20BK/WT ●	GROUND
1	F24 20RD/DG ●●	FUSED IGNITION SWTCH OUTPUT (RUN)
2	C36 20DB/RD	BLEND DOOR FEEDBACK SIGNAL
3	F24 20RD/DG ●	FUSED IGNITION SWTCH OUTPUT (RUN)
3	Z11 20BK/WT ●●	GROUND
4	E2 20OR	FUSED PANEL LAMPS DIMMER SWITCH SIGNAL
5	Z1 20BK	GROUND

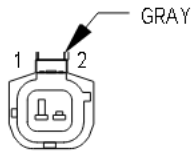


CAV	CIRCUIT	FUNCTION
A	C90 20LG	A/C SELECT INPUT
B	C1 12DG	BLOWER MOTOR FEED
C	Z1 12BK	GROUND



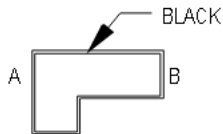
CAV	CIRCUIT	FUNCTION
1	C90 20LG	A/C SELECT INPUT
2	C21 20DB/OR	A/C SWITCH SENSE

- LHD
- RHD



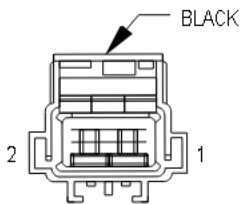
A/C LOW PRESSURE SWITCH

CAV	CIRCUIT	FUNCTION
1	C22 20DB/WT	A/C SWTCH SENSE
2	C21 20DB/OR	A/C SWTCH SENSE



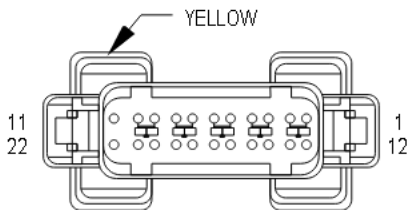
ABS DIODE

CAV	CIRCUIT	FUNCTION
A	B48 20RD/YL	ABS MAIN RELAY OUTPUT
B	G19 20LG/OR	ABS WARNING INDICATOR DRIVER



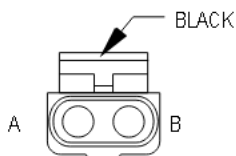
ABS PUMP MOTOR

CAV	CIRCUIT	FUNCTION
1	B120 12BR/WT	ABS PUMP MOTOR RELAY OUTPUT
2	Z1 12BK	GROUND



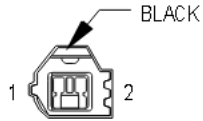
AIRBAG CONTROL MODULE

CAV	CIRCUIT	FUNCTION
1	R45 18DG/LB	DRIVER AIRBAG LINE 2
2	R43 18BK/LB	DRIVER AIRBAG LINE 1
3	-	-
4	-	-
5	R142 18BR/YL	PASSENGER AIRBAG SQUIB LINE 1
6	R144 18VT/YL	PASSENGER AIRBAG SQUIB LINE 2
7	-	-
8	-	-
9	-	-
10	Z6 18BK/PK	GROUND
11	-	-
12	-	-
13	-	-
14	-	-
15	-	-
16	-	-
17	F14 18LG/YL	FUSED IGNITION SWITCH OUTPUT (ST-RUN)
18	D2 18WT/BK	CCD BUS(-)
19	D1 18VT/BR	CCD BUS(+)
20	F23 18DB/YL	FUSED IGNITION SWITCH OUTPUT (RUN)
21	-	-
22	-	-



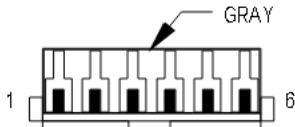
BACK-UP LAMP SWITCH (M/T)

CAV	CIRCUIT	FUNCTION
A	L1 18VT/BK	BACK-UP LAMP FEED
B	F20 18VT/WT	FUSED IGNITION SWITCH OUTPUT (RUN)



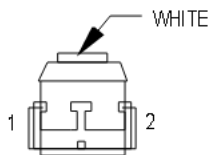
BATTERY TEMPERATURE SENSOR

CAV	CIRCUIT	FUNCTION
1	K118 18PK/YL	BATTERY TEMPERATURE SENSOR SIGNAL
2	K167 20BR/YL ●	SENSOR GROUND
2	K167 18BR/YL ●●	SENSOR GROUND



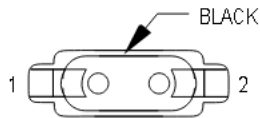
BRAKE LAMP SWITCH

CAV	CIRCUIT	FUNCTION
1	K29 20WT/PK	BRAKE SWITCH SENSE
2	Z1 20BK	GROUND
3	V32 20YL/RD	SPEED CONTROL ON/OFF SWITCH SENSE
4	V30 20DB/RD	SPEED CONTROL BRAKE SWITCH OUTPUT
5	F32 18PK/DB	FUSED B(+)
6	L50 18WT/TN	BRAKE LAMP SWITCH OUTPUT



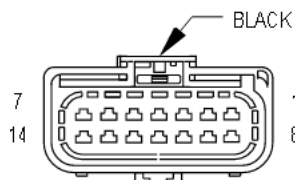
BRAKE SHIFT INTERLOCK SOLENOID

CAV	CIRCUIT	FUNCTION
1	K29 20WT/PK	BRAKE SWITCH SENSE
2	G5 20DB/WT	FUSED IGNITION SWITCH OUTPUT (ST-RUN)



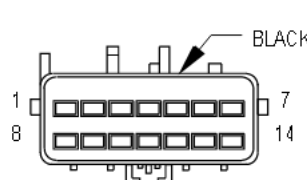
BRAKE WARNING INDICATOR SWITCH

CAV	CIRCUIT	FUNCTION
1	G9 20GY/BK	RED BRAKE WARNING INDICATOR DRIVER
2	G99 20GY/WT	RED BRAKE WARNING INDICATOR DRIVER



C103

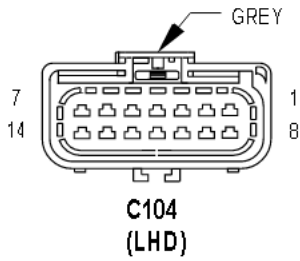
CAV	CIRCUIT
1	F142 20OR/DG
2	K72 18DG/OR
3	A14 14RD/WT
4	B6 18WT/DB ▲
5	B7 18WT ▲
6	K226 18DB/LG
7	A141 18DG/WT
8	K167 20BR/YL
9	F12 20RD/LG
10	Z12 20BK/TN
11	Z12 20BK/LB
12	G7 20WT/OR ▲▲
13	G107 20BK/RD
14	C3 20DB/BK



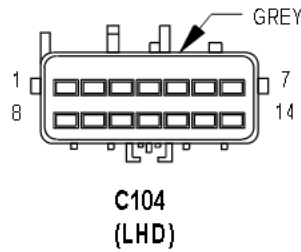
C103

CAV	CIRCUIT
1	F142 18OR/DG
2	K72 18DG/OR
3	A14 14RD/WT
4	B6 18WT/DB ▲
5	B7 18WT ▲
6	K226 20DB/LG
7	A141 18DG/WT
8	K167 20BR/YL
9	F12 20RD/LG
10	Z12 20BK/TN
11	Z12 20BK/LB
12	G7 20WT/OR
13	G107 20BK/RD
14	C3 20DB/BK

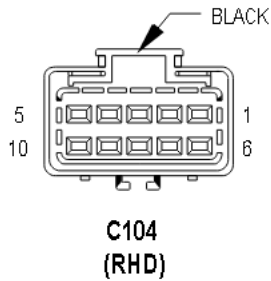
- ▲ ABS
- ▲▲ DRL
- LHD
- RHD



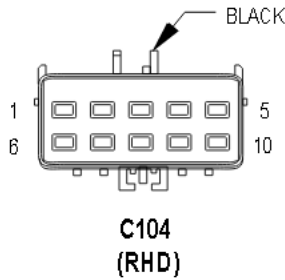
CAV	CIRCUIT
1	C90 20LG
2	C22 18DB/WMT
3	B4 18LG
4	B3 18LG/DB
5	T41 20BR/LB
6	B2 18YL
7	B1 18YL/DB
8	-
9	L1 20VT/BK
10	F20 20VT/WMT
11	F42 18DG/LG
12	T40 12BR
13	F15 20DB
14	-



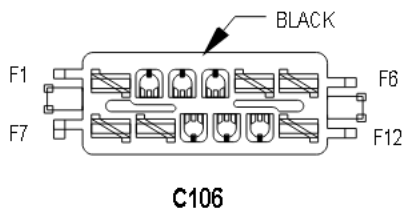
CAV	CIRCUIT
1	C90 20LG
2	C22 20DB/WMT
3	B4 18LG
4	B3 18LG/DB
5	T41 20BR/LB
6	B2 18YL
7	B1 18YL/DB
8	-
9	L1 20VT/BK
10	F20 20VT/WMT
11	F42 18DG/LG
12	T40 12BR
13	F15 18DB
14	-



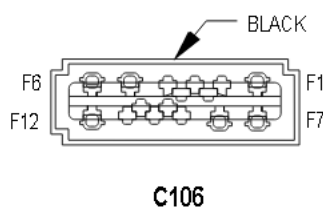
CAV	CIRCUIT
1	C90 20LG
2	C22 18DB/WMT
3	-
4	F42 18DG/LG
5	T41 20BR/LB
6	T40 12BR
7	F15 20DB
8	-
9	L1 20VT/BK
10	F20 20VT/WMT



CAV	CIRCUIT
1	C90 20LG
2	C22 20DB/WMT
3	-
4	F42 18DG/LG
5	T41 20BR/LB
6	T40 12BR
7	F15 18DB
8	-
9	L1 20VT/BK
10	F20 20VT/WMT

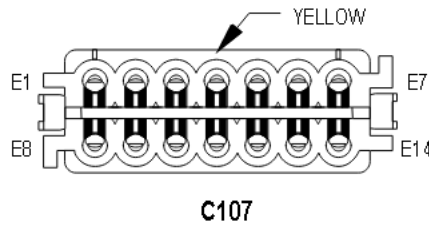


CAV	CIRCUIT
F1	F30 12RD/PK
F2	L1 20VT/BK
F3	F20 20VT/WMT
F4	F15 20DB
F5	A1 14RD
F6	A2 12PK/BK
F7	A6 12RD/BK
F8	C15 12BK/WMT
F9	T141 14YL/RD
F10	F12 20RD/LG
F11	G9 20GY/BK
F12	A111 12RD/LB

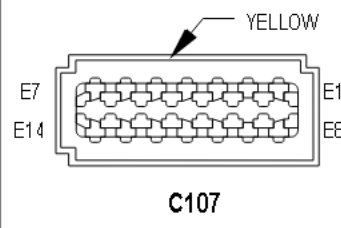


CAV	CIRCUIT
F1	F30 12RD/PK
F2	L1 20VT/BK
F3	F20 20VT/WMT
F4	F15 20DB
F5	A1 14RD
F6	A2 12PK/BK
F7	A6 12RD/BK
F8	C15 12BK/WMT
F9	T141 14YL/RD
F9	T141 14YL/RD
F10	F12 20RD/LG
F11	G9 20GY/BK
F11	G9 20GY/BK
F12	A111 12RD/LB

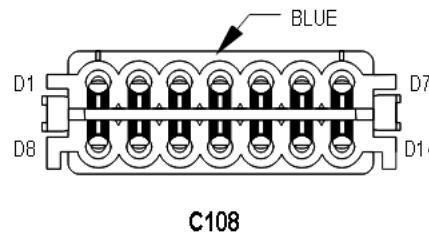
•ABS



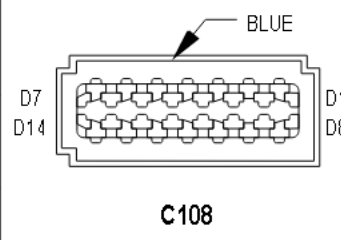
CAV	CIRCUIT
E1	L7 18BK/YL
E2	L60 18TN
E3	L61 18GY
E4	L3 16RD/OR
E5	L4 16VT/WT
E6	Z12 20BK/LB
E7	X3 20RD/YL
E8	V10 18BR
E9	Z12 20BK/TN
E10	L39 18LB ▲
E11	V30 20DB/RD ■■
E12	-
E13	D20 18LG
E14	D21 18PK
	D21 20PK ◄



CAV	CIRCUIT
E1	L7 18BK/YL
	L7 18BK/YL
E2	L60 18TN
E3	L61 18GY
E4	L3 14RD/OR
E5	L4 14VT/WT
E6	Z12 20BK/LB
E7	X3 20RD/YL
E8	V10 18BR
E9	Z12 20BK/TN
E10	L39 18LB ▲
E11	V30 20DB/RD
E12	-
E13	D20 20LG
E14	D21 20PK

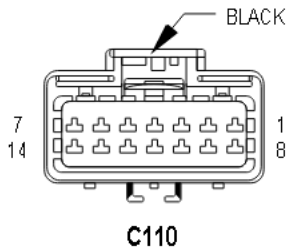


CAV	CIRCUIT
D1	V32 18YL/RD
D2	G19 20LG/OR ◄
	G19 20LG/OR ◄
D3	K167 20BR/YL ■■
D4	D1 18VT/BR
D5	D2 18WT/BK
D6	F61 18WT/OR ▲
D7	G34 18RD/GY ●
	L3 16RD/OR ●●
D8	L20 16LG/WT ●
D9	L50 18WT/TN ◄
D10	V37 18RD/LG ■■
D11	L9 16BK/WT
D12	M1 20PK/WT
	M1 20PK/WT
D13	L22 20LG/DG ▲▲
D14	K29 18WT/PK

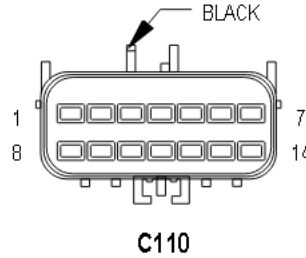


CAV	CIRCUIT
D1	V32 20YL/RD
D2	G19 20 LG/OR
D3	K167 20BR/YL
D4	D1 20VT/BR
D5	D2 20WT/BK
D6	F61 18WT/OR ▲
D7	G34 16RD/GY
D8	L20 16LG/WT ●
D9	L50 18WT/TN
	L50 18WT/TN
D10	V37 20RD/LG
D11	L9 16BK/WT
D12	M1 20PK/WT
	M1 20PK/WT
D13	L22 20LG/DG ▲▲
D14	K29 20WT/PK
	K29 20WT/PK

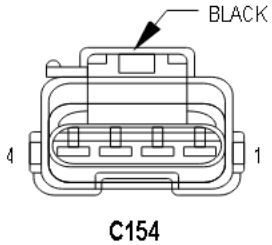
- DRL
- EXCEPT DRL
- LHD
- SPEED CONTROL
- ▲ FRONT FOG LAMPS
- ▲▲ BUILT-UP-EXPORT
- ◄ ABS



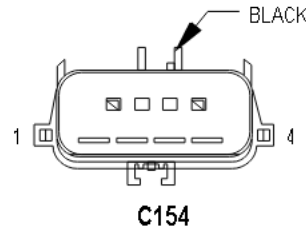
CAV	CIRCUIT
1	L7 18BK/YL
2	L60 18TN
3	L61 18GY
4	L3 16RD/OR
5	L4 16VT/WT
6	X2 18WT/RD
7	-
8	V10 18BR
9	L22 20LG/DG ■
10	K52 20PK/BK
11	F12 20RD/LG
12	-
13	L39 18LB ■■
14	L13 20BR/YL ■



CAV	CIRCUIT
1	L7 18BK/YL
2	L60 18TN
3	L61 18GY
4	L3 16RD/OR
5	L4 16VT/WT
6	X2 18WT/RD
7	-
8	V10 18BR
9	L22 20LG/DG ■
10	K52 18PK/BK
11	F12 20RD/LG
12	-
13	L39 18LB ■■
14	L13 20BR/YL ■

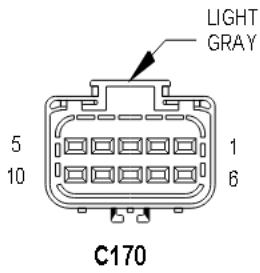


CAV	CIRCUIT
1	Z1 20BK
2	L1 18VT/BK
3	T41 20BR/LB
4	F20 20VT/WT

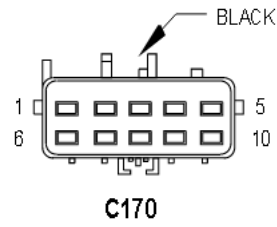


CAV	CIRCUIT
1	Z1 20BK ▲
2	L1 18VT/BK
3	T41 20BR/LB ▲▲
3	Z1 20BK ▲
4	F20 18VT/WT

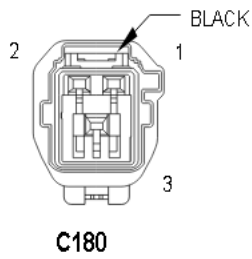
- ▲ MT
- ▲▲ AT
- BUILT-UP-EXPORT
- FRONT FOG LAMPS



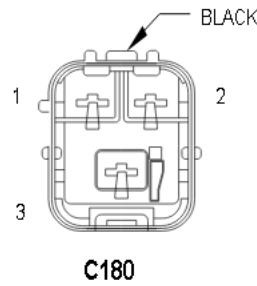
CAV	CIRCUIT
1	L13 20BR/YL ■
2	C81 20LB/WT ■■
3	G99 20GY/WT
4	A3 14RD/WT
5	G107 20BK/RD
6	C90 20LG
7	-
8	-
9	-
10	-



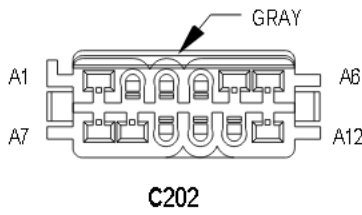
CAV	CIRCUIT
1	L13 20BR/YL ■
2	C81 20LB/WT ■■
3	G99 20GY/WT
4	A3 14RD/WT
5	G107 20BK/RD
6	C90 20LG
7	-
8	-
9	-
10	-



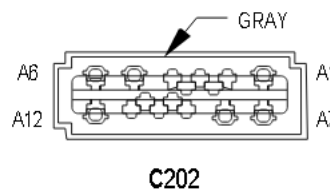
CAV	CIRCUIT
1	K105 18WT/OR
2	K106 18WT/DG
3	F142 20OR/DG



CAV	CIRCUIT
1	K105 20WT/OR
2	K106 20WT/DG
3	F142 20OR/DG

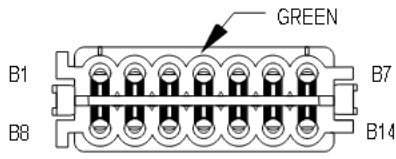


CAV	CIRCUIT
A1	F24 20RD/DG ■
A2	L20 16LG/WT
A3	E1 18TN
A4	E2 20OR
A5	F81 20DB/RD ■■
A6	Z12 20BK/LB
A7	-
A8	L2 16LG
A9	F38 16LB
A10	G5 20DB/WT
A11	F34 18TN/BK
A12	A111 12RD/LB



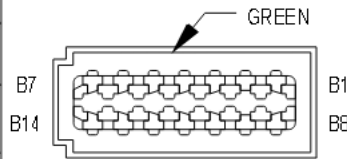
CAV	CIRCUIT
A1	F24 20RD/DG
A2	L20 16LG/WT ●●
	L20 14LG/WT
A3	E1 18TN
A4	E2 20OR
A5	F81 20DB/RD
A6	Z12 20BK/LB
	Z12 20BK/LB
A7	-
A8	L2 14LG
	L2 16LG ●
A9	F38 16LB
A10	G5 20DB/WT
A11	F34 18TN/BK
	F34 20TN/BK
A12	A111 12RD/LB

- ▲ EXCEPT DRL
- REAR FOG LAMP
- DRL
- BUILT-UP-EXPORT
- HARDTOP



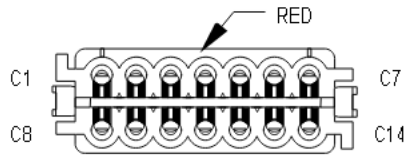
C203

CAV	CIRCUIT
B1	L60 18TN
B2	L61 18GY
B3	G26 20LB G26 20LB
B4	G16 20BK/LB
B5	G34 16RD/GY
B6	L7 18BK/YL L7 18BK/YL
B7	M1 20PK/WT
B8	D20 20LG
B9	V20 18VT/OR ▲
B10	D21 20PK
B11	D1 20VT/BR D1 20VT/BR
B12	D2 20WT/BK D2 20WT/BK
B13	L35 18BR/WT ▲▲
B14	G19 20LG/OR



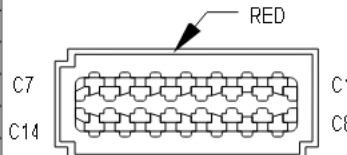
C203

CAV	CIRCUIT
B1	L60 18TN L60 18TN
B2	L61 18GY L61 18GY
B3	G26 20LB
B4	G16 20BK/LB G16 20BK/LB
B5	G34 16RD/GY G34 16RD/GY ▲▲
B6	L7 18BK/YL L7 18BK/YL ●●▲▲
B7	M1 20PK/WT
B8	D20 20LG
B9	V20 18VT/OR
B10	D21 20PK
B11	D1 20VT/BR
B12	D2 20WT/BK
B13	L35 18BR/WT ▲▲
B14	G19 20LG/OR



C204

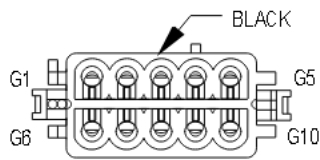
CAV	CIRCUIT
C1	L95 18DG/YL
C2	V13 18BR/LG ▲
C3	G10 20LG/RD
C4	Z12 20BK/TN
C5	M2 20YL
C6	V23 18BR/PK
C7	-
C8	L38 20BR/WT ■
C9	L22 20LG/DG ●
C10	X12 20PK
C11	X51 18BR/YL
C12	X57 18BR/LB
C13	X52 18DB/WT
C14	X58 18DB/PK



C204

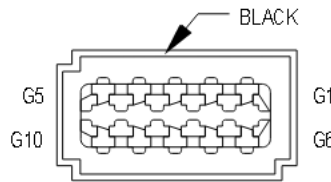
CAV	CIRCUIT
C1	L95 18DG/YL ■
C2	V13 18BR/LG
C3	G10 20LG/RD
C4	Z12 20BK/TN
C5	M2 20YL
C6	V23 18BR/PK
C7	-
C8	L38 20BR/WT ■ L38 20BR/WT ■ ▼
C9	L22 20LG/DG ● L22 20LG/DG ●
C10	X12 20PK
C11	X51 18BR/YL
C12	X57 18BR/LB
C13	X52 18DB/WT
C14	X58 18DB/PK

- REAR FOG LAMPS
- ▲ HARD TOP
- ▲▲ FRONT FOG LAMPS
- BUILT-UP-EXPORT
- EXCEPT BUILT-UP-EXPORT
- ▼ LHD BUILT-UP-EXPORT



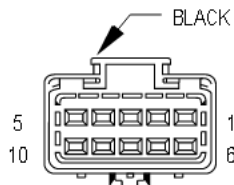
**C322
(LHD)**

CAV	CIRCUIT
G1	L7 18BK/YL
G2	L62 18BR/RD
G3	L1 20VT/BK
G4	L63 18DG/RD
G5	Z1 12BK
G6	G10 20LG/RD ▲▲
G7	L50 18WT/TN
G8	L38 20BR/WT ●
G9	G9 20G/Y/BK
G10	V23 18BR/PK ▲



**C322
(LHD)**

CAV	CIRCUIT
G1	L7 18BK/YL
G2	L62 18BR/RD
G3	L1 20VT/BK
G4	L63 18DG/RD
G5	Z1 12BK
G6	G10 20LG/RD ▲▲
G7	L50 18WT/TN
G7	L50 18WT/TN ▲▲
G8	L38 20BR/WT ●
G9	G9 20G/Y/BK
G10	V23 18BR/PK



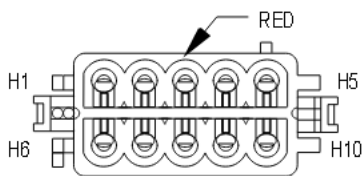
**C322
(RHD)**

CAV	CIRCUIT
1	L7 18BK/YL
2	L62 18BR/RD
3	L1 20VT/BK
4	L63 18DG/RD
5	Z1 12BK
6	G10 20LG/RD
7	L50 18WT/TN
8	L38 20BR/WT
9	G9 20G/Y/BK
10	V23 18BR/PK



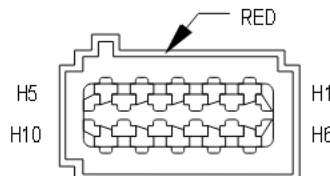
**C322
(RHD)**

CAV	CIRCUIT
1	L7 18BK/YL
2	L62 18BR/RD
3	L1 20VT/BK
4	L63 18DG/RD
5	Z1 12BK
6	G10 20LG/RD
7	L50 18WT/TN
8	L38 20BR/WT
9	G9 20G/Y/BK
10	V23 18BR/PK ▲



**C323 **
(LHD)**

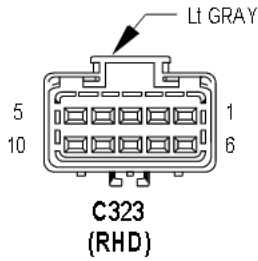
CAV	CIRCUIT
H1	C15 12BK/WT ▲
H2	M1 20PK/WT
H3	M2 20YL
H4	V23 18BR/PK ▲
H5	V13 18BR/LG ▲
H6	V20 18VT/OR ▲
H7	X51 18BR/YL ■
H8	X57 18BR/LB ■
H9	X52 18DB/WT ■
H10	X58 18DB/PK ■



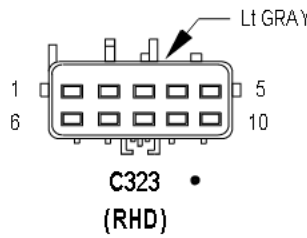
**C323
(LHD)**

CAV	CIRCUIT
H1	C15 12BK/WT
H2	M1 20PK/WT
H3	M2 20YL
H4	V23 18BR/PK
H5	V13 18BR/LG
H6	V20 18VT/OR
H7	X51 18BR/YL
H8	X57 18BR/LB
H9	X52 18DB/WT
H10	X58 18DB/PK

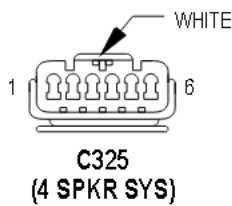
- ▲ HARD TOP
- ▲▲ EXCEPT BUILT-UP-EXPORT
- REAR FOG LAMP
- 4 SPEAKER SYSTEM
- ■ THE FEMALE SIDE OF C323 IS NOT PRESENT IN SOFT-TOP 2 - SPEAKER SYSTEM VEHICLES



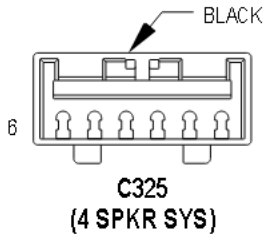
CAV	CIRCUIT
1	C15 12BK/WT ■■
2	M1 20PK/WT
3	M2 20YL
4	V23 18BR/PK ■■
5	V13 18BR/LG ■■
6	V20 18VT/OR ■■
7	X51 18BR/YL ■
8	X57 18BR/LB ■
9	X52 18DB/WT ■
10	X58 18DB/PK ■



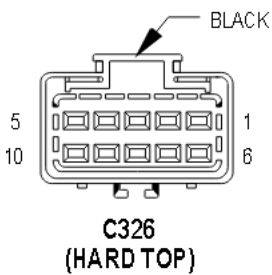
CAV	CIRCUIT
1	C15 12BK/WT
2	M1 20PK/WT
3	M2 20YL
4	V23 18BR/PK
5	V13 18BR/LG
6	V20 18VT/OR
7	X51 18BR/YL
8	X57 18BR/LB
9	X52 18DB/WT
10	X58 18DB/PK



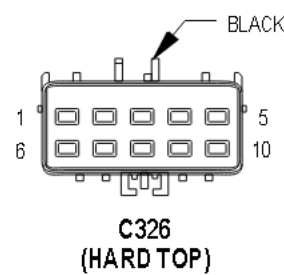
CAV	CIRCUIT
1	X57 18BR/LB
2	X51 18BR/YL
3	M1 20PK/WT
4	M2 20YL
5	X58 18DB/PK
6	X52 18DB/WT



CAV	CIRCUIT
1	X57 18BR/LB
2	X51 18BR/YL
3	M1 20PK/WT
4	M2 20YL
5	X58 18DB/PK
6	X52 18DB/WT

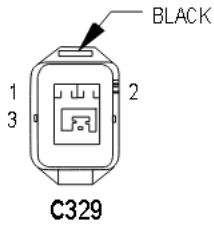


CAV	CIRCUIT
1	C15 12BK/WT
2	-
3	V13 18BR/LG
4	V23 18BR/PK
5	V23 18BR/PK
6	Z1 12BK
7	-
8	M1 20PK/WT
9	M2 20YL
10	-

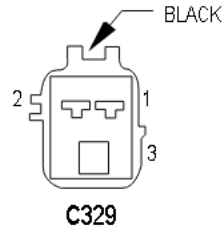


CAV	CIRCUIT
1	C15 12BK/WT
2	-
3	V13 18BR/LG
4	V23 18BR/PK
5	V23 18BR/PK
6	Z1 12BK
7	-
8	M1 20PK/WT
9	M2 18YL
10	-

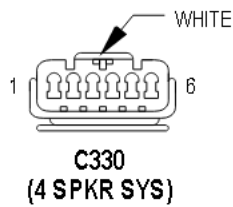
- 4 SPEAKER SYSTEM
- HARD TOP
- THE MALE SIDE OF C323 IS NOT PRESENT IN SOFT-TOP 2 - SPEAKER SYSTEM VEHICLES



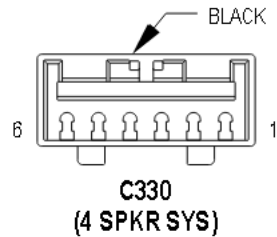
CAV	CIRCUIT
1	L38 20BR/WT
2	L7 18BK/YL
3	Z1 20BK



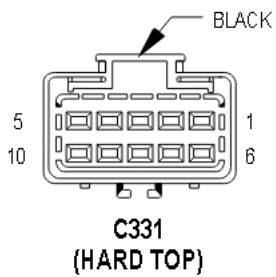
CAV	CIRCUIT
1	L38 18BR/WT
2	L7 18BK/YL
3	Z1 20BK



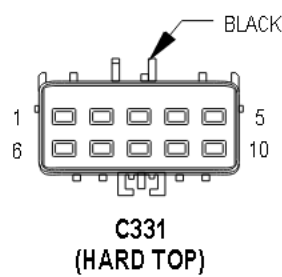
CAV	CIRCUIT
1	X57 18BR/LB
2	X51 18BR/YL
3	M1 20PK/WT
4	M2 20YL
5	X58 18DB/PK
6	X52 18DB/WT



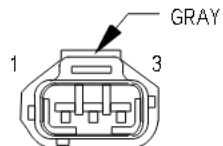
CAV	CIRCUIT
1	X57 20BR/LB
2	X51 20BR/YL
3	M1 20PK/WT
4	M2 20YL
5	X58 20DB/PK
6	X52 20DB/WT



CAV	CIRCUIT
1	C15 12BK/WT
2	-
3	V13 18BR/LG
4	V23 18BR/PK
5	V23 18BR/PK
6	Z1 12BK
7	-
8	M1 20PK/WT
9	M2 18YL
10	-

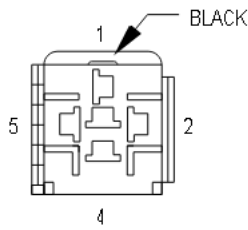


CAV	CIRCUIT
1	C15 12BK/WT
2	-
3	V13 18BK/LG
4	V23 18BR/PK
5	V23 18BR/PK
6	Z1 12BK
7	-
8	M1 20PK/WT
9	M2 20YL
10	-



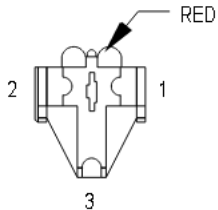
CAMSHAFT POSITION SENSOR

CAV	CIRCUIT	FUNCTION
1	K44 18TN/YL	CAMSHAFT POSITION SENSOR SIGNAL
2	K167 20BR/YL	SENSOR GROUND
3	K7 20OR	5V SUPPLY



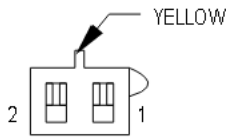
**CIGAR LIGHTER/
ACCESSORY RELAY**

CAV	CIRCUIT	FUNCTION
1	F30 12RD/PK	FUSED B(+)
2	A31 14BK/DG	IGNITION SWITCH OUTPUT (RUN-ACC)
3	-	-
4	F22 12WT/PK	CIGAR LIGHTER/ACCESSORY RELAY OUTPUT
5	Z1 20BK	GROUND
	Z1 20BK	GROUND



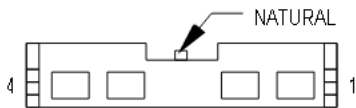
**CIGAR LIGHTER/
POWER OUTLET**

CAV	CIRCUIT	FUNCTION
1	F38 16LB	FUSED B (+)
2	-	-
3	Z1 16BK	GROUND



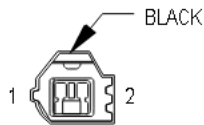
CLOCKSPRING - C1

CAV	CIRCUIT	FUNCTION
1	R45 18DG/LB	DRIVER AIRBAG LINE 2
2	R43 18BK/LB	DRIVER AIRBAG LINE 1



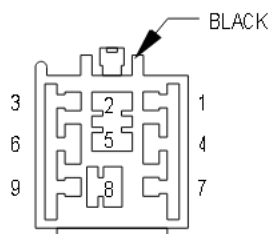
CLOCKSPRING - C2

CAV	CIRCUIT	FUNCTION
1	X3 20RD/YL	HORN RELAY CONTROL
2	V37 20RD/LG	SPEED CONTROL SWITCH SIGNAL
3	K167 20BR/YL	SENSOR GROUND
4	-	-



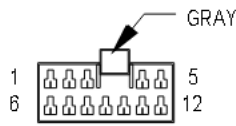
**CLUTCH PEDAL
POSITION SWITCH
(M/T)**

CAV	CIRCUIT	FUNCTION
1	T141 14 YL/RD	FUSED IGNITION SWITCH OUTPUT (ST)
2	A41 14 YL	FUSED IGNITION SWITCH OUTPUT (ST)



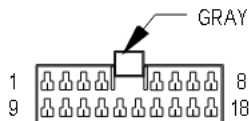
**COMBINATION
FLASHER**

CAV	CIRCUIT	FUNCTION
1	-	-
2	L32 16PK	COMBINATION FLASHER OUTPUT
3	-	-
4	Z1 20BK	GROUND
5	-	-
6	L55 16RD/WT	COMBINATION FLASHER INPUT
7	-	-
8	-	-
9	-	-



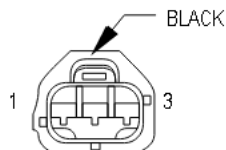
**CONTROLLER
ANTI-LOCK
BRAKE - C1**

CAV	CIRCUIT	FUNCTION
1	G19 20LG/OR	ABS WARNING INDICATOR DRIVER
2	B43 20PK/OR	G-SWITCH TEST SIGNAL
3	D21 20PK	SCI TRANSMIT/ISO 9141K
4	-	-
5	F20 20VT/WT	FUSED IGNITION SWITCH OUTPUT (RUN)
6	B41 20YL/VT	G-SWITCH NO. 1 SENSE
7	B42 20TN/WT	G-SWITCH NO. 2 SENSE
8	L50 18WT/TN	BRAKE LAMP SWITCH OUTPUT
9	B3 18LG/DB	LEFT REAR WHEEL SPEED SENSOR (-)
10	B4 18LG	LEFT REAR WHEEL SPEED SENSOR (+)
11	B1 18YL/DB	RIGHT REAR WHEEL SPEED SENSOR (-)
12	B2 18YL	RIGHT REAR WHEEL SPEED SENSOR (+)



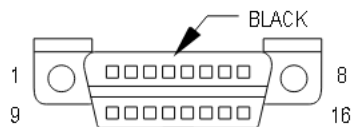
**CONTROLLER
ANTI-LOCK
BRAKE - C2**

CAV	CIRCUIT	FUNCTION
1	B7 18WT	RIGHT FRONT WHEEL SPEED SENSOR (+)
2	B6 18WT/DB	RIGHT FRONT WHEEL SPEED SENSOR (-)
3	B120 16BR/WT	ABS PUMP MOTOR RELAY OUTPUT
4	B251 20WT/BK	REAR INLET VALVE CONTROL
5	B48 20RD/YL	ABS MAIN RELAY OUTPUT
6	B248 20D G/WT	RIGHT FRONT OUTLET VALVE CONTROL
7	B116 20GY	ABS PUMP MOTOR RELAY CONTROL
8	B243 20D G/BK	LEFT FRONT OUTLET VALVE CONTROL
9	B9 18RD	LEFT FRONT WHEEL SPEED SENSOR (+)
10	B8 18RD/DB	LEFT FRONT WHEEL SPEED SENSOR (-)
11	B58 20GY/LB	ABS MAIN RELAY CONTROL
12	B254 20D G/OR	REAR OUTLET VALVE CONTROL
13	Z22 16BK/PK	GROUND
14	Z22 16BK/PK	GROUND
15	B249 20WT/DG	RIGHT FRONT INLET VALVE CONTROL
16	-	-
17	-	-
18	B245 20WT/LG	LEFT FRONT INLET VALVE CONTROL



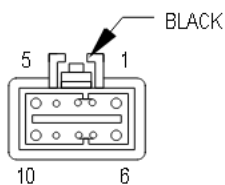
**CRANKSHAFT
POSITION
SENSOR**

CAV	CIRCUIT	FUNCTION
1	K24 18GY/BK	CRANKSHAFT POSITION SENSOR SIGNAL
2	K167 20BR/YL	SENSOR GROUND
3	K7 20OR	5V SUPPLY



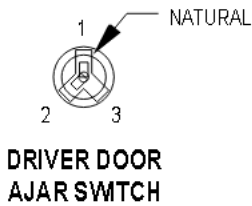
DATA LINK CONNECTOR

CAV	CIRCUIT	FUNCTION
1	-	-
2	-	-
3	D1 20VT/BR	CCD BUS(+)
4	Z12 20BK/LB	GROUND
5	Z12 20BK/TN	GROUND
6	D20 20LG	SCI RECEIVE
7	D21 20PK	SCI TRANSMIT/ISO 9141K
8	-	-
9	-	-
10	-	-
11	D2 20WT/BK	CCD BUS(-)
12	-	-
13	-	-
14	-	-
15	-	-
16	M1 20PK/WT	FUSED B(+)



DAYTIME RUNNING LAMP MODULE (EXCEPT BUILT-UP-EXPORT)

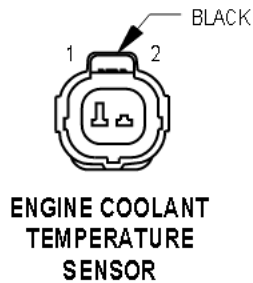
CAV	CIRCUIT	FUNCTION
1	L3 16RD/OR	DIMMER SWITCH HIGH BEAM OUTPUT
2	-	-
3	-	-
4	G34 16RD/GY	HIGH BEAM INDICATOR DRIVER
5	F12 20RD/LG	FUSED IGNITION SWITCH OUTPUT (ST-RUN)
6	L20 16LG/WT	FUSED B(+) OPTICAL HORN FEED
7	G7 20WT/OR	VEHICLE SPEED SENSOR SIGNAL
8	Z1 16BK	GROUND
9	-	-
10	L4 16VT/WT	DIMMER SWITCH LOW BEAM OUTPUT



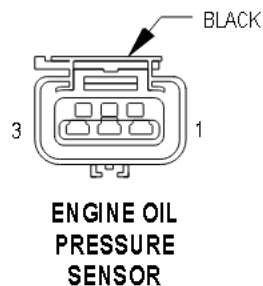
CAV	CIRCUIT	FUNCTION
1	M23 20YL/BK	DOOR AJAR SWITCH OUTPUT
2	M2 20YL	COURTESY LAMPS DRIVER
3	G16 20BK/LB	DRIVER DOOR AJAR SWITCH SENSE



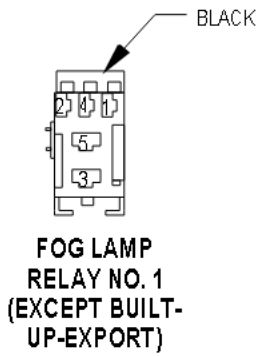
CAV	CIRCUIT	FUNCTION
1	K52 20PK/BK	DUTY CYCLE EVAP/PURGE SOLENOID CONTROL
2	F12 20RD/LG	FUSED IGNITION SWITCH OUTPUT (ST-RUN)



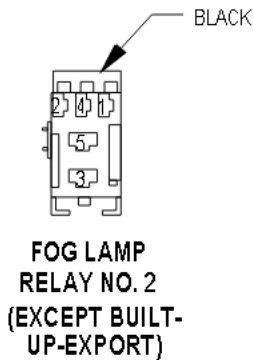
CAV	CIRCUIT	FUNCTION
1	K2 18TN/BK	ENGINE COOLANT TEMPERATURE SENSOR SIGNAL
2	K187 20BR/YL	SENSOR GROUND



CAV	CIRCUIT	FUNCTION
1	K8 20VT/OR	5V SUPPLY
2	G60 18GY/YL	ENGINE OIL PRESSURE SENSOR SIGNAL
3	K187 20BR/YL	SENSOR GROUND



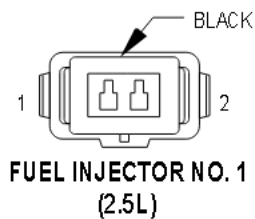
CAV	CIRCUIT	FUNCTION
1	L35 18BR/WT	FOG LAMP SWITCH OUTPUT
2	Z1 20BK	GROUND
3	F61 18WT/OR	FUSED B(+)
4	-	-
5	L39 18LB	FOG LAMP RELAY NO. 1 OUTPUT



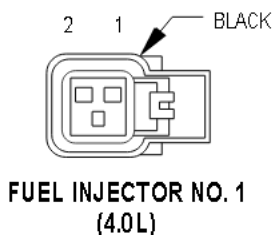
CAV	CIRCUIT	FUNCTION
1	G34 16RD/GY	HIGH BEAM INDICATOR DRIVER
2	Z1 20BK	GROUND
	Z1 20BK	GROUND
3	L7 18BK/YL	HEADLAMP SWITCH OUTPUT
4	L95 18DG/YL	FOG LAMP RELAY OUTPUT
5	-	-



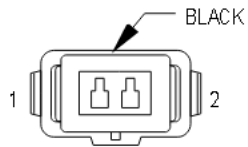
CAV	CIRCUIT	FUNCTION
1	E2 20OR	FUSED PANEL LAMPS DIMMER SWITCH SIGNAL
2	L35 18BR/WT	FOG LAMP SWITCH OUTPUT
3	L95 18DG/YL	FOG LAMP RELAY OUTPUT
4	Z1 20BK	GROUND



CAV	CIRCUIT	FUNCTION
1	F42 18DG/LG	AUTOMATIC SHUT DOWN RELAY OUTPUT
2	K11 18WT/DB	FUEL INJECTOR NO. 1 DRIVER

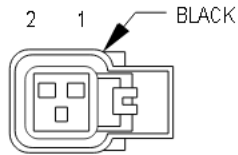


CAV	CIRCUIT	FUNCTION
1	F42 18DG/LG	AUTOMATIC SHUT DOWN RELAY OUTPUT
2	K11 18WT/DB	FUEL INJECTOR NO. 1 DRIVER



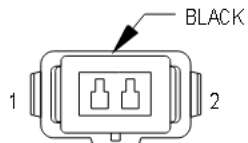
**FUEL INJECTOR NO. 2
(2.5L)**

CAV	CIRCUIT	FUNCTION
1	F42 18DG/LG	AUTOMATIC SHUT DOWN RELAY OUTPUT
2	K12 18TN	FUEL INJECTOR NO. 2 DRIVER



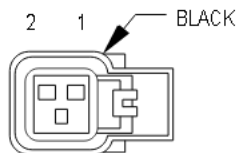
**FUEL INJECTOR NO. 2
(4.0L)**

CAV	CIRCUIT	FUNCTION
1	F42 18DG/LG	AUTOMATIC SHUT DOWN RELAY OUTPUT
2	K12 18TN	FUEL INJECTOR NO. 2 DRIVER



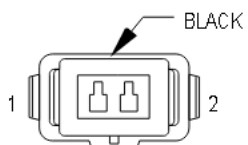
**FUEL INJECTOR NO. 3
(2.5L)**

CAV	CIRCUIT	FUNCTION
1	F42 18DG/LG	AUTOMATIC SHUT DOWN RELAY OUTPUT
2	K13 18YL/WT	FUEL INJECTOR NO. 3 DRIVER



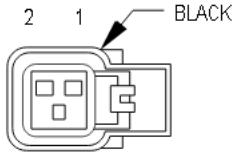
**FUEL INJECTOR NO. 3
(4.0L)**

CAV	CIRCUIT	FUNCTION
1	F42 18DG/LG	AUTOMATIC SHUT DOWN RELAY OUTPUT
2	K13 18YL/WT	FUEL INJECTOR NO. 3 DRIVER



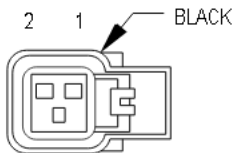
**FUEL INJECTOR NO. 4
(2.5L)**

CAV	CIRCUIT	FUNCTION
1	F42 18DG/LG	AUTOMATIC SHUT DOWN RELAY OUTPUT
2	K14 18LB/BR	FUEL INJECTOR NO. 4 DRIVER



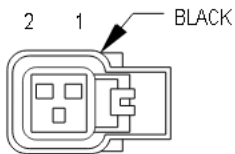
**FUEL INJECTOR NO. 4
(4.0L)**

CAV	CIRCUIT	FUNCTION
1	F42 18DG/LG	AUTOMATIC SHUT DOWN RELAY OUTPUT
2	K14 18LB/BR	FUEL INJECTOR NO. 4 DRIVER



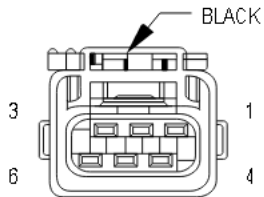
**FUEL INJECTOR NO. 5
(4.0L)**

CAV	CIRCUIT	FUNCTION
1	F42 18DG/LG	AUTOMATIC SHUT DOWN RELAY OUTPUT
2	K15 18PK/BK	FUEL INJECTOR NO. 5 DRIVER



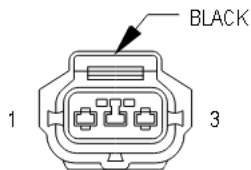
**FUEL INJECTOR NO. 6
(4.0L)**

CAV	CIRCUIT	FUNCTION
1	F42 18DG/LG	AUTOMATIC SHUT DOWN RELAY OUTPUT
2	K16 18LG/BK	FUEL INJECTOR NO. 6 DRIVER



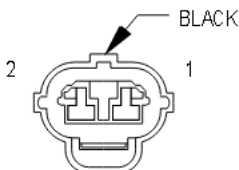
**FUEL PUMP
MODULE**

CAV	CIRCUIT	FUNCTION
1	A141 18DG/WT	FUEL PUMP RELAY OUTPUT
2	-	-
3	K226 20DB/LG	FUEL LEVEL SENSOR SIGNAL
4	K167 20BR/YL	SENSOR GROUND
5	-	-
6	Z1 18BK	GROUND



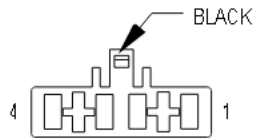
G SWITCH

CAV	CIRCUIT	FUNCTION
1	B42 20TN/WT	G-SWITCH NO.2 SENSE
2	B41 20YL/VT	G-SWITCH NO.1 SENSE
3	B43 20PK/OR	G-SWITCH TEST SIGNAL



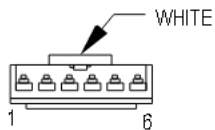
GENERATOR

CAV	CIRCUIT	FUNCTION
1	K72 18DG/OR	VOLTAGE REGULATOR SIGNAL
2	K20 18DG	GENERATOR FIELD DRIVER (+)



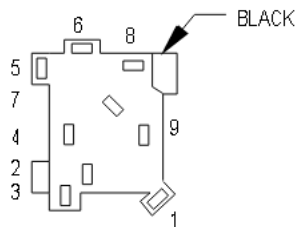
HEADLAMP DIMMER SWITCH

CAV	CIRCUIT	FUNCTION
1	L4 14VT/WT	DIMMER SWITCH LOW BEAM OUTPUT
2	L2 14LG	HEADLAMP SWITCH OUTPUT
3	L3 14RD/OR	DIMMER SWITCH HIGH BEAM OUTPUT
4	L20 14LG/WT	FUSED B(+) OPTICAL HORN FEED



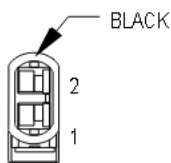
HEADLAMP LEVELING SWITCH (BUILT-UP-EXPORT)

CAV	CIRCUIT	FUNCTION
1	-	-
2	L22 20LG/DG	HEADLAMP SWITCH FUSED OUTPUT
3	-	-
4	Z1 20BK	GROUND
5	L13 20BR/YL	HEADLAMP ADJUST SIGNAL
6	-	-



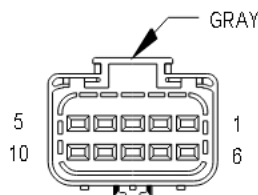
HEADLAMP SWITCH

CAV	CIRCUIT	FUNCTION
1	E1 18TN	PANEL LAMPS DIMMER SWITCH SIGNAL
2	L2 16LG	HEADLAMP SWITCH OUTPUT
3	M2 20YL	COURTESY LAMPS DRIVER
4	F34 18TN/BK	FUSED B(+)
5	G26 20LB	KEY-IN IGNITION SWITCH SENSE
6	G16 20BK/LB	DRIVER AJAR SWITCH SENSE
7	L20 16LG/WT	FUSED B(+) OPTICAL HORN FEED
8	A3 14RD/WT	FUSED B(+)
9	L7 18BK/YL	HEADLAMP SWITCH OUTPUT



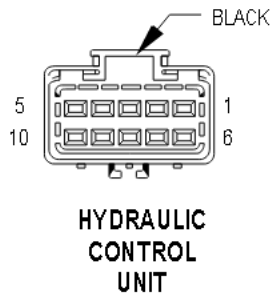
HIGH NOTE HORN

CAV	CIRCUIT	FUNCTION
1	X2 18WT/RD	HORN RELAY OUTPUT
2	Z1 18BK	GROUND



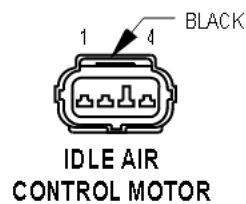
HVAC UNIT

CAV	CIRCUIT	FUNCTION
1	Z11 20BK/WT	GROUND
2	C4 16TN	LOW SPEED BLOWER MOTOR
3	C5 16LG/LB	M1 SPEED BLOWER MOTOR
4	C6 14LB	M2 SPEED BLOWER MOTOR
5	F24 20RD/DG	FUSED IGNITION SWITCH OUTPUT (RUN)
	F24 20RD/DG	FUSED IGNITION SWITCH OUTPUT (RUN)
6	C36 20DB/RD	BLEND DOOR FEEDBACK SIGNAL
7	C7 12BR/TN	HIGH SPEED BLOWER MOTOR
8	A111 12RD/LB	FUSED B(+)
9	F24 20RD/DG	FUSED IGNITION SWITCH OUTPUT (RUN)
10	Z1 20BK	GROUND



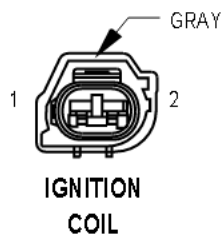
**HYDRAULIC
CONTROL
UNIT**

CAV	CIRCUIT	FUNCTION
1	B47 14RD/LB	ABS SYSTEM RELAY OUTPUT
2	B251 20WT/BK	REAR INLET VALVE CONTROL
3	B249 20WT/DG	RIGHT FRONT INLET VALVE CONTROL
4	B245 20WT/LG	LEFT FRONT INLET VALVE CONTROL
5	-	-
6	-	-
7	B254 20DG/OR	REAR OUTLET VALVE CONTROL
8	B248 20DG/WT	RIGHT FRONT OUTLET VALVE CONTROL
9	B243 20DG/BK	LEFT FRONT OUTLET VALVE CONTROL
10	B47 14RD/LB	ABS SYSTEM RELAY OUTPUT



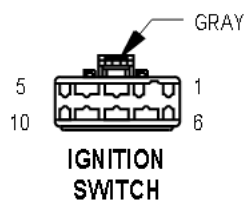
**IDLE AIR
CONTROL MOTOR**

CAV	CIRCUIT	FUNCTION
1	K59 18VT/BK	IDLE AIR CONTROL NO. 4 DRIVER
2	K40 18BR/WT	IDLE AIR CONTROL NO. 3 DRIVER
3	K60 18YL/BK	IDLE AIR CONTROL NO. 2 DRIVER
4	K39 18GY/RD	IDLE AIR CONTROL NO. 1 DRIVER



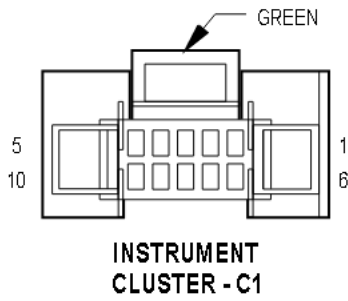
**IGNITION
COIL**

CAV	CIRCUIT	FUNCTION
1	F42 18DG/LG	AUTOMATIC SHUT DOWN RELAY OUTPUT
2	K19 18GY	IGNITION COIL NO. 1 DRIVER

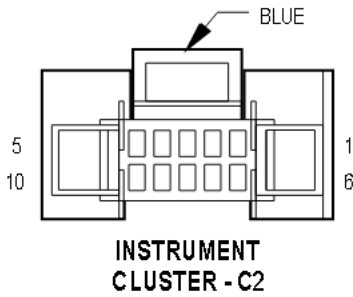


**IGNITION
SWITCH**

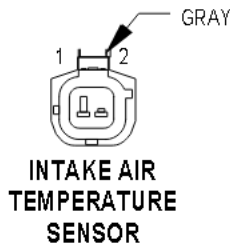
CAV	CIRCUIT	FUNCTION
1	Z1 16BK	GROUND
2	G9 20GY/BK	RED BRAKE WARNING INDICATOR DRIVER
3	A2 12PK/BK	FUSED B(+)
4	A22 12BK/OR	IGNITION SWITCH OUTPUT (RUN)
5	-	-
6	-	-
7	A1 14RD	FUSED B(+)
8	A31 14BK/DG	IGNITION SWITCH OUTPUT (RUN-ACC)
9	A21 14DB	IGNITION SWITCH OUTPUT (ST-RUN)
10	A41 14YL	IGNITION SWITCH OUTPUT (ST)



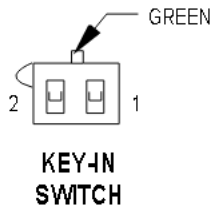
CAV	CIRCUIT	FUNCTION
1	D2 20WT/BK	CCD BUS(-)
2	D1 20VT/BR	CCD BUS(+)
3	C81 20LB/WT	● REAR WINDOW DEFOGGER RELAY CONTROL
4	C80 20DB/LG	● REAR WINDOW DEFOGGER SWITCH SENSE
5	G107 20BK/RD	4WD SENSE
6	L60 18TN	RIGHT TURN SIGNAL
7	-	-
8	G26 20LB	KEY-IN IGNITION SWITCH SENSE
9	Z2 18BK/LG	GROUND
10	G10 20LG/RD	SEAT BELT SWITCH SENSE



CAV	CIRCUIT	FUNCTION
1	-	-
2	G99 20GY/WT	RED BRAKE WARNING INDICATOR DRIVER
3	E2 20OR	FUSED PANEL LAMPS DIMMER SWITCH SIGNAL
4	G19 20LG/OR	ABS WARNING INDICATOR DRIVER
5	G34 18RD/GY	HIGH BEAM INDICATOR DRIVER
6	Z2 18BK/LG	GROUND
7	-	-
8	G5 20DB/WT	FUSED IGNITION SWITCH OUTPUT (ST-RUN)
9	M1 20PK/WT	FUSED B(+)
10	L61 18GY	LEFT TURN SIGNAL

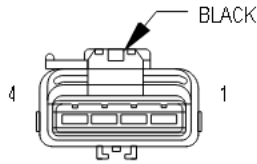


CAV	CIRCUIT	FUNCTION
1	K21 18BK/RD	INTAKE AIR TEMPERATURE SENSOR SIGNAL
2	K167 20BR/YL	SENSOR GROUND



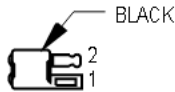
CAV	CIRCUIT	FUNCTION
1	G16 20BK/LB	DRIVER AJAR SWITCH SENSE
2	G26 20LB	KEY-IN IGNITION SWITCH SENSE

●HARD TOP



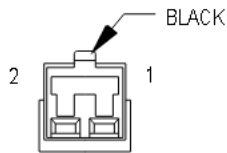
**LEAK
DETECTION PUMP
(EXCEPT BUILT-
UP-EXPORT)**

CAV	CIRCUIT	FUNCTION
1	-	-
2	F142 20OR/DG	FUSED AUTOMATIC SHUTDOWN RELAY OUTPUT
3	K106 20WT/DG	LEAK DETECTION PUMP SOLENOID CONTROL
4	K105 20WT/OR	LEAK DETECTION PUMP SWITCH SENSE



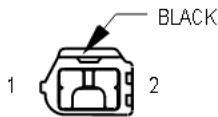
**LEFT CITY
LAMP
(BUILT-UP-EXPORT)**

CAV	CIRCUIT	FUNCTION
1	L7 18BK/YL	HEADLAMP SWTCH OUTPUT
2	Z1 18BK	GROUND



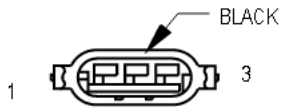
**LEFT
COURTESY LAMP**

CAV	CIRCUIT	FUNCTION
1	M1 20PK/WT	FUSED B(+)
2	M2 20YL	COURTESY LAMPS DRIVER



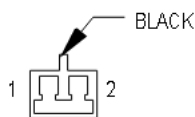
**LEFT FOG
LAMP
(EXCEPT BUILT-UP
-EXPORT)**

CAV	CIRCUIT	FUNCTION
1	Z1 18BK	GROUND
2	L39 18LB	FOG LAMP RELAY NO. 1 OUTPUT



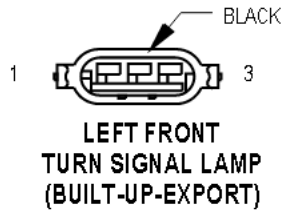
**LEFT FRONT PARK/
TURN SIGNAL LAMP
(EXCEPT BUILT-UP
-EXPORT)**

CAV	CIRCUIT	FUNCTION
1	L61 18GY	LEFT TURN SIGNAL
2	L7 18BK/YL	HEADLAMP SWTCH OUTPUT
3	Z1 18BK	GROUND



**LEFT
FRONT SPEAKER**

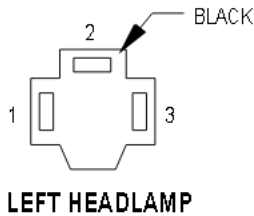
CAV	CIRCUIT	FUNCTION
1	X53 18DG	LEFT FRONT SPEAKER (+)
2	X55 18BR/RD	LEFT FRONT SPEAKER (-)



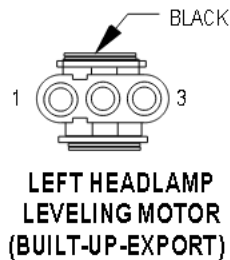
CAV	CIRCUIT	FUNCTION
1	L61 18GY	LEFT TURN SIGNAL
2	-	-
3	Z1 18BK	GROUND



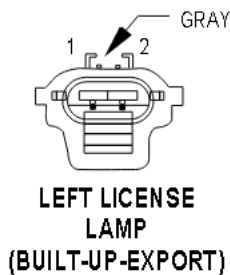
CAV	CIRCUIT	FUNCTION
1	B8 18RD/DB	LEFT FRONT WHEEL SPEED SENSOR (-)
2	B9 18RD	LEFT FRONT WHEEL SPEED SENSOR (+)



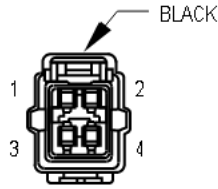
CAV	CIRCUIT	FUNCTION
1	L3 18RD/OR	DIMMER SWTCH HIGH BEAM OUTPUT
	L3 18RD/OR	DIMMER SWTCH HIGH BEAM OUTPUT
2	L4 16VT/WT	DIMMER SWTCH LOW BEAM OUTPUT
3	Z1 20BK	GROUND



CAV	CIRCUIT	FUNCTION
1	L22 20LG/DG	HEADLAMP SWITCH FUSED OUTPUT
2	L13 20BR/YL	HEADLAMP ADJUST SIGNAL
3	Z1 20BK	GROUND

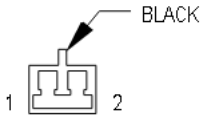


CAV	CIRCUIT	FUNCTION
1	L7 18BK/YL	HEADLAMP SWITCH OUTPUT
2	Z1 20BK	GROUND



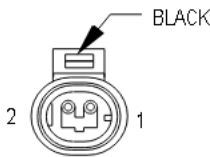
LEFT REAR LAMP ASSEMBLY

CAV	CIRCUIT	FUNCTION
1	L1 20VT/BK ●	BACK-UP LAMP FEED
	L63 18DG/RD ●●	LEFT TURN SIGNAL
2	L63 18DG/RD ●	LEFT TURN SIGNAL
	L1 20VT/BK ●●	BACK-UP LAMP FEED
3	L7 18BK/YL ●	HEADLAMP SWITCH OUTPUT
	L50 18WT/TN ●●	BRAKE LAMP SWITCH OUTPUT
4	L7 18BK/YL ●●	HEADLAMP SWITCH OUTPUT



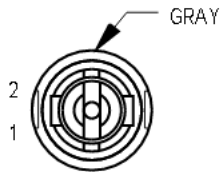
LEFT REAR SPEAKER (SOUND BAR)

CAV	CIRCUIT	FUNCTION
1	X51 20BR/YL	LEFT REAR SPEAKER (+)
2	X57 20BR/LB	LEFT REAR SPEAKER (-)



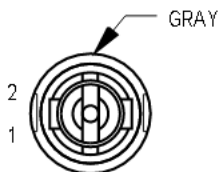
LEFT REAR WHEEL SPEED SENSOR

CAV	CIRCUIT	FUNCTION
1	B3 18LG/DB	LEFT REAR WHEEL SPEED SENSOR (-)
2	B4 18LG	LEFT REAR WHEEL SPEED SENSOR (+)



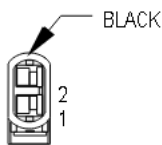
LEFT REPEATER LAMP (BUILT-UP-EXPORT)

CAV	CIRCUIT	FUNCTION
1	L61 18GY	LEFT TURN SIGNAL
2	Z1 18BK	GROUND



LEFT SIDE MARKER LAMP (EXCEPT BUILT-UP-EXPORT)

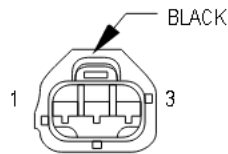
CAV	CIRCUIT	FUNCTION
1	L7 18BK/YL	HEADLAMP SWITCH OUTPUT
2	L61 18GY	LEFT TURN SIGNAL



LOW NOTE HORN (EXCEPT BUILT-UP-EXPORT)

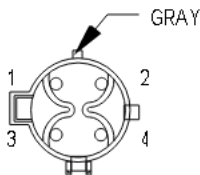
CAV	CIRCUIT	FUNCTION
1	X2 18WT/RD	HORN RELAY OUTPUT
2	Z1 18BK	GROUND

- EXCEPT BUILT-UP-EXPORT
- BUILT-UP-EXPORT



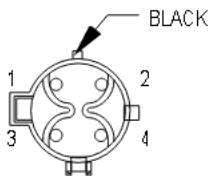
MANIFOLD ABSOLUTE PRESSURE SENSOR

CAV	CIRCUIT	FUNCTION
1	K167 20BR/YL	SENSOR GROUND
2	K1 18DG/RD	MANIFOLD ABSOLUTE PRESSURE SENSOR SIGNAL
3	K7 20OR	5V SUPPLY



OXYGEN SENSOR 1/1 UPSTREAM

CAV	CIRCUIT	FUNCTION
1	F142 18OR/DG	FUSED AUTOMATIC SHUT DOWN RELAY OUTPUT
2	Z1 18BK	GROUND
3	K167 20BR/YL	SENSOR GROUND
4	K41 18BK/DG	OXYGEN SENSOR 1/1 SIGNAL



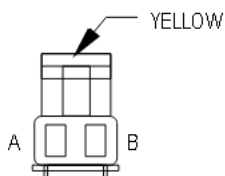
OXYGEN SENSOR 1/2 DOWNSTREAM

CAV	CIRCUIT	FUNCTION
1	F142 18OR/DG	FUSED AUTOMATIC SHUT DOWN RELAY OUTPUT
2	Z1 18BK	GROUND
3	K167 20BR/YL	SENSOR GROUND
4	K41 18TN/WT	OXYGEN SENSOR 1/2 SIGNAL



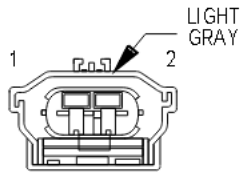
PARK/NEUTRAL POSITION SWITCH (A/T)

CAV	CIRCUIT	FUNCTION
1	F20 18VT/WT	FUSED IGNITION SWITCH OUTPUT (RUN)
2	T41 20BR/LB	PARK/NEUTRAL POSITION SWITCH SENSE
3	L1 18VT/BK	BACK-UP LAMP FEED



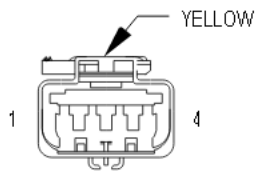
PASSENGER AIRBAG

CAV	CIRCUIT	FUNCTION
A	R44 18DG/YL	PASSENGER AIRBAG LINE 2
B	R42 18BK/YL	PASSENGER AIRBAG LINE 1



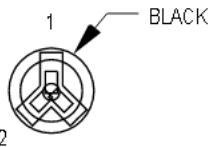
**PASSENGER AIRBAG
ON/OFF SWITCH - C1**

CAV	CIRCUIT	FUNCTION
1	F14 1BLG/YL	FUSED IGNITION SWITCH OUTPUT (ST-RUN)
2	Z6 20BK/PK	GROUND



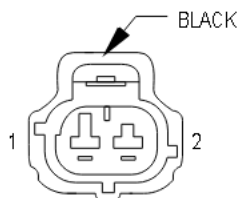
**PASSENGER AIRBAG
ON/OFF SWITCH - C2**

CAV	CIRCUIT	FUNCTION
1	R142 18BR/YL	PASSENGER AIRBAG SQUIB LINE 1
2	R144 18VT/YL	PASSENGER AIRBAG SQUIB LINE 2
3	R42 18BK/YL	PASSENGER AIRBAG LINE 1
4	R44 18DG/YL	PASSENGER AIRBAG LINE 2



**PASSENGER
DOOR AJAR
SWITCH**

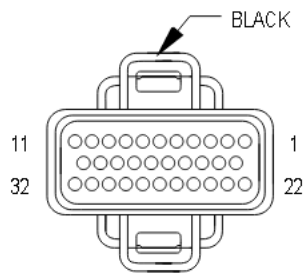
CAV	CIRCUIT	FUNCTION
1	M23 20YL/BK	DOOR AJAR SWITCH OUTPUT
2	M2 20 YL	COURTESY LAMPS DRIVER



**POWER STEERING
PRESSURE SWITCH
(2.5L)**

CAV	CIRCUIT	FUNCTION
1	Z1 20BK ●	GROUND
1	Z1 18BK ●●	GROUND
2	K10 18DB/BR	POWER STEERING PRESSURE SWITCH SENSE

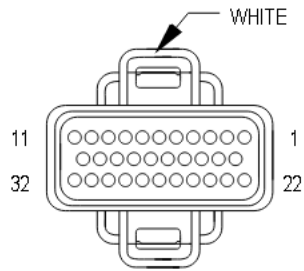
- LHD
- RHD



**POWERTRAIN
CONTROL
MODULE - C1**

CAV	CIRCUIT	FUNCTION
A1	-	-
A2	F15 18DB	FUSED IGNITION SWITCH OUTPUT (ST-RUN)
A3	-	-
A4	K187 18BR/YL	SENSOR GROUND
A5	-	-
A6	T41 18BR/LB	PARK/NEUTRAL POSITION SWITCH SENSE
A7	K19 18GY	IGNITION COIL NO. 1 DRIVER
A8	K24 18GY/BK	CRANKSHAFT POSITION SENSOR SIGNAL
A9	-	-
A10	K60 18YL/BK	IDLE AIR CONTROL NO. 2 DRIVER
A11	K40 18BR/WT	IDLE AIR CONTROL NO. 3 DRIVER
A12	K10 18DB/BR	• POWER STEERING PRESSURE SWTCH SENSE
A13	-	-
A14	-	-
A15	K21 18BK/RD	INTAKE AIR TEMPERATURE SENSOR SIGNAL
A16	K2 18TN/BK	ENGINE COOLANT TEMPERATURE SENSOR SIGNAL
A17	K7 18OR	5V SUPPLY
A18	K44 18TN/YL	CAMSHAFT POSITION SENSOR SIGNAL
A19	K39 18GY/RD	IDLE AIR CONTROL NO. 1 DRIVER
A20	K59 18VT/BK	IDLE AIR CONTROL NO. 4 DRIVER
A21	-	-
A22	A14 14RD/WT	FUSED B(+)
A23	K22 18OR/DB	THROTTLE POSITION SENSOR SIGNAL
A24	K41 18BK/DG	OX YGEN SENSOR 1/1 SIGNAL
A25	K141 18TN/WT	OX YGEN SENSOR 1/2 SIGNAL
A26	-	-
A27	K1 18DG/RD	MANIFOLD ABSOLUTE PRESSURE SENSOR SIGNAL
A28	-	-
A29	-	-
A30	-	-
A31	Z12 14BK/TN	GROUND
A32	Z12 14BK/TN	GROUND

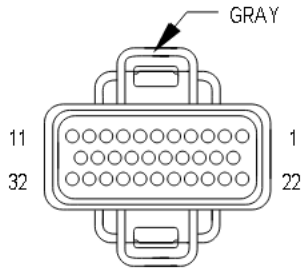
• 2.5L



**POWERTRAIN
CONTROL
MODULE - C2**

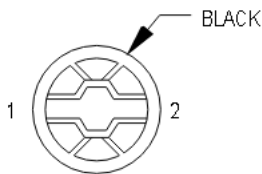
CAV	CIRCUIT	FUNCTION
B1	-	-
B2	-	-
B3	-	-
B4	K11 18WT/DB	FUEL INJECTOR NO. 1 DRIVER
B5	K13 18YL/WT	FUEL INJECTOR NO. 3 DRIVER
B6	K15 18PK/BK	• FUEL INJECTOR NO. 5 DRIVER
B7	-	-
B8	-	-
B9	-	-
B10	K20 18DG	GENERATOR FIELD DRIVER (+)
B11	T23 18OR/LG	TRANSMISSION LOW/OVERDRIVE SOLENOID
B12	K16 18LG/BK	• FUEL INJECTOR NO. 6 DRIVER
B13	-	-
B14	-	-
B15	K12 18TN	FUEL INJECTOR NO. 2 DRIVER
B16	K14 18LB/BR	FUEL INJECTOR NO. 4 DRIVER
B17	-	-
B18	-	-
B19	-	-
B20	-	-
B21	-	-
B22	-	-
B23	G60 18G/Y/YL	ENGINE OIL PRESSURE SENSOR SIGNAL
B24	-	-
B25	-	-
B26	-	-
B27	G7 18WT/OR	VEHICLE SPEED SENSOR SIGNAL
B28	-	-
B29	-	-
B30	-	-
B31	K6 18VT/OR	5V SUPPLY
B32	-	-

• 4.0L



POWERTRAIN CONTROL MODULE - C3

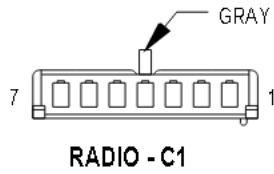
CAV	CIRCUIT	FUNCTION
C1	C13 18DB/OR	A/C COMPRESSOR CLUTCH RELAY CONTROL
C2	-	-
C3	K51 18DB/YL	AUTOMATIC SHUT DOWN RELAY CONTROL
C4	V36 18TN/RD	● SPEED CONTROL VACUUM SOLENOID CONTROL
C5	V35 18LG/RD	● SPEED CONTROL VENT SOLENOID CONTROL
C6	-	-
C7	-	-
C8	-	-
C9	-	-
C10	K106 18WT/DG	▼ LEAK DETECTION PUMP SOLENOID CONTROL
C11	V32 18YL/RD	● SPEED CONTROL ON/OFF SWITCH SENSE
C12	A142 14DG/PK	AUTOMATIC SHUT DOWN RELAY OUTPUT SENSE
C13	-	-
C14	K105 18WT/OR	▼ LEAK DETECTION PUMP SWITCH SENSE
C15	K118 18PK/YL	BATTERY TEMPERATURE SENSOR SIGNAL
C16	-	-
C17	-	-
C18	-	-
C19	K31 18BR	FUEL PUMP RELAY CONTROL
C20	K52 18PK/BK	DUTY CYCLE EVAP/PURGE SOLENOID CONTROL
C21	-	-
C22	C22 18DB/WT	A/C SWITCH SENSE
C23	C90 18LG	A/C SELECT INPUT
C24	K29 18WT/PK	BRAKE SWITCH SENSE
C25	K72 18DG/OR	VOLTAGE REGULATOR SIGNAL
C26	K226 18DB/LG	FUEL LEVEL SENSOR SIGNAL
C27	D21 18PK	SCI TRANSMIT/ISO 9141K
C28	D2 18WT/BK	CCD BUS(-)
C29	D20 18LG	SCI RECEIVE
C30	D1 18VT/BR	CCD BUS(+)
C31	-	-
C32	V37 18RD/LG	● SPEED CONTROL SWITCH SIGNAL



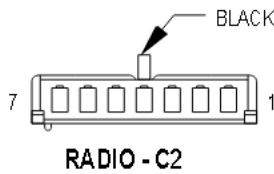
PRNDL LAMP

CAV	CIRCUIT	FUNCTION
1	E2 200R	FUSED PANEL LAMPS DIMMER SWITCH SIGNAL
2	Z1 20BK	GROUND

- SPEED CONTROL
- ▼ LEAK DETECTION



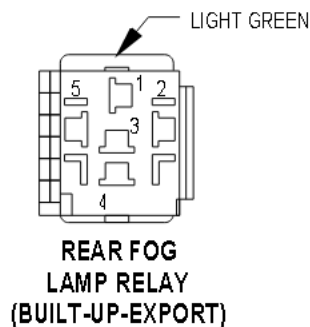
CAV	CIRCUIT	FUNCTION
1	-	-
2	X55 18BR/RD	LEFT FRONT SPEAKER(-)
3	X56 18DB	RIGHT FRONT SPEAKER(-)
4	L7 18BK/YL	HEADLAMP SWITCH OUTPUT
5	E2 20OR	FUSED PANEL LAMPS DIMMER SWITCH SIGNAL
6	X12 20PK	FUSED IGNITION SWITCH OUTPUT (RUN-ACC)
7	M1 20PK/WT	FUSED B(+)



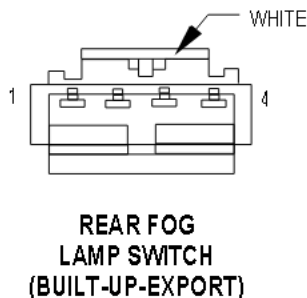
CAV	CIRCUIT	FUNCTION
1	-	-
2	X51 18BR/YL	LEFT REAR SPEAKER(+)
3	X52 18DB/WT	RIGHT REAR SPEAKER(+)
4	X53 18DG	LEFT FRONT SPEAKER(+)
5	X54 18VT	RIGHT FRONT SPEAKER(+)
6	X57 18BR/LB	LEFT REAR SPEAKER(-)
7	X58 18DB/PK	RIGHT REAR SPEAKER(-)



CAV	CIRCUIT	FUNCTION
1	L38 18BR/WT	REAR FOG LAMP FEED -
2	Z1 20BK	GROUND

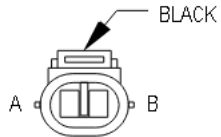


CAV	CIRCUIT	FUNCTION
1	L22 20LG/DG	HEADLAMP SWITCH FUSED OUTPUT
2	L95 18DG/YL	REAR FOG LAMP RELAY CONTROL
3	Z1 20BK	GROUND
4	L38 20BR/WT	REAR FOG LAMP FEED
	L38 20BR/WT •	REAR FOG LAMP FEED
5	L22 20LG/DG	HEADLAMP SWITCH FUSED OUTPUT



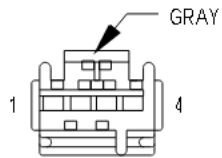
CAV	CIRCUIT	FUNCTION
1	Z1 20BK	GROUND
2	L95 18DG/YL	REAR FOG LAMP RELAY CONTROL
3	L38 20BR/WT	REAR FOG LAMP FEED
4	E2 20OR	FUSED PANEL LAMPS DIMMER SWITCH SIGNAL

• RHD



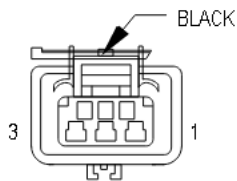
REAR WASHER PUMP (HARD TOP)

CAV	CIRCUIT	FUNCTION
A	V20 18VT/OR	REAR WASHER MOTOR CONTROL
B	Z1 18BK	GROUND



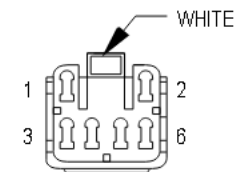
REAR WINDOW DEFOGGER SWITCH (HARD TOP)

CAV	CIRCUIT	FUNCTION
1	Z1 20BK	GROUND
2	C80 20DB/LG	REAR WINDOW DEFOGGER SWITCH SENSE
3	F81 20DB/RD	FUSED REAR WINDOW DEFOGGER RELAY OUTPUT
4	E2 20OR	FUSED PANEL LAMPS DIMMER SWITCH SIGNAL



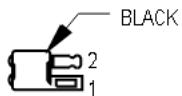
REAR WIPER MOTOR (HARD TOP)

CAV	CIRCUIT	FUNCTION
1	V23 18BR/PK	FUSED IGNITION SWITCH OUTPUT (RUN)
2	Z1 18BK	GROUND
3	V13 18BK/LG	REAR WIPER MOTOR CONTROL



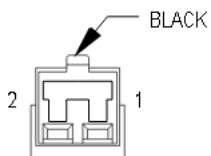
REAR WIPER/WASHER SWITCH (HARD TOP)

CAV	CIRCUIT	FUNCTION
1	Z1 18BK/WT	GROUND
2	V20 18VT/OR	REAR WASHER MOTOR CONTROL
3	E2 20OR	FUSED PANEL LAMPS DIMMER SWITCH SIGNAL
4	V13 18BR/LG	REAR WIPER MOTOR CONTROL
5	V23 18BR/PK	FUSED IGNITION SWITCH OUTPUT (RUN)
6	-	-



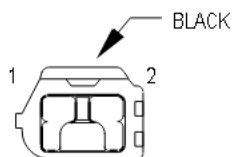
**RIGHT CITY LAMP
(BUILT-UP-EXPORT)**

CAV	CIRCUIT	FUNCTION
1	L7 18BK/YL	HEADLAMP SWMTC OUTPUT
2	Z1 20BK	GROUND



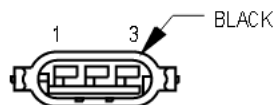
RIGHT COURTESY LAMP

CAV	CIRCUIT	FUNCTION
1	M1 20PK/WT	FUSED B(+)
2	M2 20YL	COURTESY LAMPS DRIVER



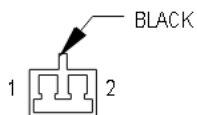
**RIGHT FOG LAMP
(EXCEPT BUILT-UP-EXPORT)**

CAV	CIRCUIT	FUNCTION
1	Z1 18BK	GROUND
2	L39 18LB	FOG LAMP RELAY NO. 1 OUTPUT



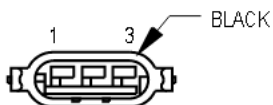
**RIGHT FRONT PARK/
TURN SIGNAL LAMP
(EXCEPT BUILT-UP-EXPORT)**

CAV	CIRCUIT	FUNCTION
1	L60 18TN	RIGHT TURN SIGNAL
2	L7 18BK/YL	HEADLAMP SWMTC OUTPUT
3	Z1 18BK	GROUND



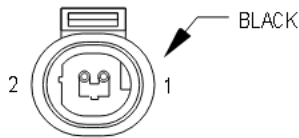
RIGHT FRONT SPEAKER

CAV	CIRCUIT	FUNCTION
1	X54 18VT	RIGHT FRONT SPEAKER (+)
2	X56 18DB	RIGHT FRONT SPEAKER (-)



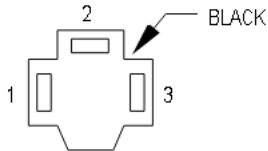
**RIGHT FRONT TURN SIGNAL LAMP
(BUILT-UP-EXPORT)**

CAV	CIRCUIT	FUNCTION
1	L60 18TN	RIGHT TURN SIGNAL
2	-	-
3	Z1 18BK	GROUND



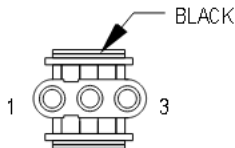
RIGHT FRONT WHEEL SPEED SENSOR

CAV	CIRCUIT	FUNCTION
1	B6 18WT/DB	RIGHT FRONT WHEEL SPEED SENSOR (-)
2	B7 18WT	RIGHT FRONT WHEEL SPEED SENSOR (+)



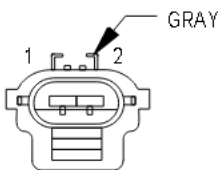
RIGHT HEADLAMP

CAV	CIRCUIT	FUNCTION
1	L3 16RD/OR	DIMMER SWITCH HIGH BEAM OUTPUT
2	L4 16VT/WT	DIMMER SWITCH LOW BEAM OUTPUT
3	Z1 18BK	GROUND



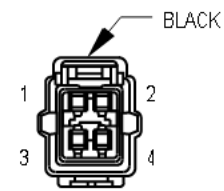
RIGHT HEADLAMP LEVELING MOTOR (BUILT-UP-EXPORT)

CAV	CIRCUIT	FUNCTION
1	L22 20LG/DG	HEADLAMP SWITCH FUSED OUTPUT
2	L13 20BR/YL	HEADLAMP ADJUST SIGNAL
3	Z1 18BK	GROUND



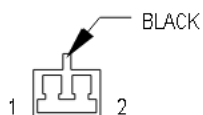
RIGHT LICENSE LAMP (BUILT-UP-EXPORT)

CAV	CIRCUIT	FUNCTION
1	L7 18BK/YL	HEADLAMP SWITCH OUTPUT
2	Z1 20BK	GROUND



RIGHT REAR LAMP ASSEMBLY

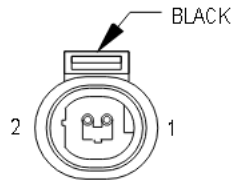
CAV	CIRCUIT	FUNCTION
1	L1 20VT/BK ●	BACK-UP LAMP FEED
	L62 18BR/RD ●●	RIGHT TURN SIGNAL
2	L62 18BR/RD ●	RIGHT TURN SIGNAL
	L1 20VT/BK ●●	BACK-UP LAMP FEED
3	L7 18BK/YL ●	HEADLAMP SWITCH OUTPUT
	L50 18WT/TN ●●	BRAKE LAMP SWITCH OUTPUT
4	L63 18DG/RD ●	LEFT TURN SIGNAL
	L7 18BK/YL ●●	HEADLAMP SWITCH OUTPUT



RIGHT REAR SPEAKER (SOUND BAR)

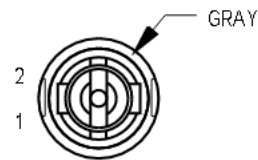
CAV	CIRCUIT	FUNCTION
1	X52 20DB/WT	RIGHT REAR SPEAKER (+)
2	X58 20DB/PK	RIGHT REAR SPEAKER (-)

- EXCEPT BUILT-UP-EXPORT
- BUILT-UP-EXPORT



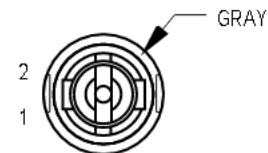
**RIGHT REAR
WHEEL SPEED
SENSOR**

CAV	CIRCUIT	FUNCTION
1	B1 18YL/DB	RIGHT REAR WHEEL SPEED SENSOR (-)
2	B2 18YL	RIGHT REAR WHEEL SPEED SENSOR (+)



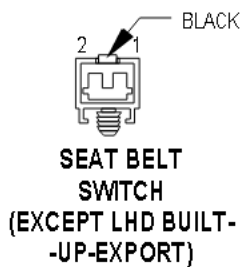
**RIGHT REPEATER
LAMP
(BUILT-UP-EXPORT)**

CAV	CIRCUIT	FUNCTION
1	L60 18TN	RIGHT TURN SIGNAL
2	Z1 18BK	GROUND



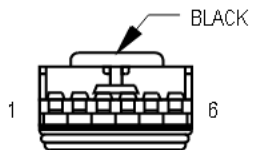
**RIGHT SIDE
MARKER LAMP
(EXCEPT BUILT-
UP-EXPORT)**

CAV	CIRCUIT	FUNCTION
1	L7 18BK/YL	HEADLAMP SWITCH OUTPUT
2	L60 18TN	RIGHT TURN SIGNAL



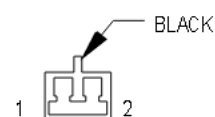
**SEAT BELT
SWITCH
(EXCEPT LHD BUILT-
UP-EXPORT)**

CAV	CIRCUIT	FUNCTION
1	G10 20LG/RD	SEAT BELT SWITCH SENSE
2	Z1 20BK	GROUND



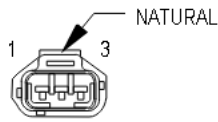
**SENTRY KEY
IMMOBILIZER
MODULE**

CAV	CIRCUIT	FUNCTION
1	F34 20TN/BK	FUSED B(+)
2	Z1 20BK	GROUND
3	F15 20DB	FUSED IGNITION OUTPUT (ST-RUN)
4	Z12 20BK/LB	GROUND
5	D2 20WT/BK	CCD BUS(-)
6	D1 20VT/BR	CCD BUS(+)



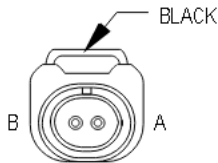
**SOUND BAR
DOME LAMP**

CAV	CIRCUIT	FUNCTION
1	M1 20PK/WT	FUSED B(+)
2	M2 20YL	COURTESY LAMPS DRIVER



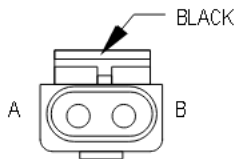
THROTTLE POSITION SENSOR

CAV	CIRCUIT	FUNCTION
1	K167 20BR/YL	SENSOR GROUND
2	K22 18OR/DB	THROTTLE POSITION SENSOR SIGNAL
3	K7 20OR	5V SUPPLY



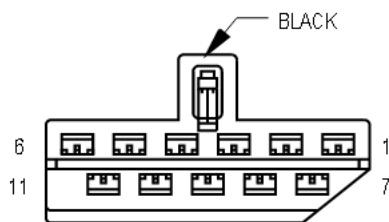
TORQUE CONVERTOR CLUTCH SOLENOID

CAV	CIRCUIT	FUNCTION
A	F12 20RD/LG	FUSED IGNITION SWITCH OUTPUT (ST-RUN)
B	T23 18OR/LG	TRANSMISSION LOW/OVERDRIVE SOLENOID



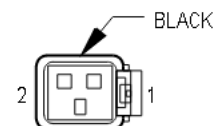
TRANSFER CASE SWITCH

CAV	CIRCUIT	FUNCTION
A	G107 20BK/RD	4WD SENSE
B	Z1 20BK	GROUND



TURN SIGNAL/ HAZARD SWITCH

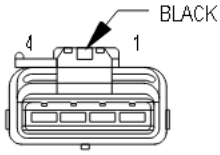
CAV	CIRCUIT	FUNCTION
1	L60 18TN	RIGHT TURN SIGNAL
2	L50 18WT/TN	▼ BRAKE LAMP SWITCH OUTPUT
3	L62 18BR/RD	RIGHT TURN SIGNAL
4	L32 16PK	COMBINATION FLASHER OUTPUT
5	L5 20BK/GY	FUSED IGNITION SWITCH OUTPUT (RUN-ACC)
6	L9 16BKAWT	FUSED FLASHER FEED
7	-	-
8	-	-
9	L63 18DG/RD	LEFT TURN SIGNAL
10	L61 18GY	LEFT TURN SIGNAL
11	L55 16RD/WT	COMBINATION FLASHER INPUT



UNDERHOOD LAMP

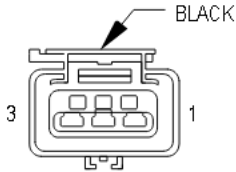
CAV	CIRCUIT	FUNCTION
1	Z1 18BK	GROUND
2	M1 20PK/WT	FUSED B(+)

▼ EXCEPT BUILT-UP-EXPORT



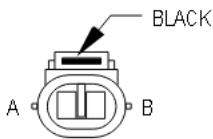
VEHICLE SPEED CONTROL SERVO

CAV	CIRCUIT	FUNCTION
1	V36 18TN/RD	SPEED CONTROL VACUUM SOLENOID CONTROL
2	V35 18LG/RD	SPEED CONTROL VENT SOLENOID CONTROL
3	V30 20DB/RD	SPEED CONTROL BRAKE SWITCH OUTPUT
4	Z1 18BK	GROUND



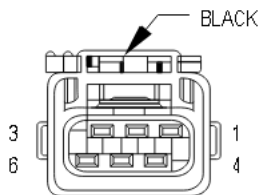
VEHICLE SPEED SENSOR

CAV	CIRCUIT	FUNCTION
1	K6 20VT/OR	5V SUPPLY
2	K167 20BR/YL	SENSOR GROUND
3	G7 20WT/OR	VEHICLE SPEED SENSOR SIGNAL



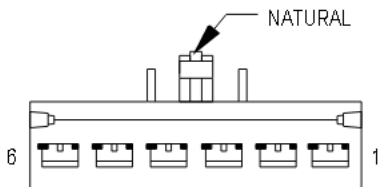
WINDSHIELD WASHER PUMP

CAV	CIRCUIT	FUNCTION
A	V10 18BR	WASHER PUMP CONTROL SWITCH OUTPUT
B	Z1 18BK	GROUND



WINDSHIELD WIPER MOTOR

CAV	CIRCUIT	FUNCTION
1	V6 18PK/BK	FUSED IGNITION SWITCH OUTPUT (RUN-ACC)
2	V5 18DG/YL	WIPER PARK SWITCH SENSE
3	-	-
4	Z1 18BK	GROUND
5	V3 18BR/WT	LOW SPEED WIPER SWITCH OUTPUT
6	V4 18RD/YL	WIPER SWITCH HIGH SPEED OUTPUT



WINDSHIELD WIPER SWITCH

CAV	CIRCUIT	FUNCTION
1	Z1 20BK	GROUND
2	V5 18DG/YL	WIPER PARK SWITCH SENSE
3	V10 18BR	WASHER PUMP CONTROL SWITCH OUTPUT
4	V3 18BR/WT	LOW SPEED WIPER SWITCH OUTPUT
5	V6 18PK/BK	FUSED IGNITION SWITCH OUTPUT (RUN-ACC)
6	V4 18RD/YL	WIPER SWITCH HIGH SPEED OUTPUT

8W-90 CONNECTOR/GROUND LOCATIONS

DESCRIPTION AND OPERATION

INTRODUCTION

This section provides illustrations identifying component and connector locations in the vehicle. A connector index is provided. Use the wiring diagrams in

each section for connector number identification. Refer to the index for the proper figure number.

CONNECTOR/GROUND LOCATIONS

For items that are not shown in this section a N/S is placed in the Fig. column.

Connector Name/Number	Color	Location	Fig.
A/C Compressor Clutch	BK	At A/C Compressor Clutch	12
A/C Heater Control - C1	BK	Rear of Blower Motor Switch	17, 18
A/C Heater Control - C2	BK	Rear of Lamp	17, 18
A/C Heater Control - C3	BK	Rear of A/C Heater Control Switch	17, 18
A/C High Pressure Switch	BK	On A/C Compressor	12
A/C Low Pressure Switch	GY	Near T/O for Powertrain Control Module	N/S
ABS Diode	BK	Near T/O for Controller Anti-Lock Brake	2
ABS Pump Motor	BK	Left Side of Engine Compartment Near Grommet	6
Airbag Control Module	YL	Front of Floor Pan Tunnel	15, 16, 19
Back-up Lamp Switch (M/T)	BK	Right Side of Transmission	14
Battery Temperature Sensor	BK	Under Battery Tray	3, 4
Brake Lamp Switch	GY	Top of Brake Pedal Bracket	15, 16
Brake Shift Interlock Solenoid	WT	Near Steering Column	20
Brake Warning Indicator Switch	BK	On Brake Master Cylinder	2, 3

Connector Name/Number	Color	Location	Fig.
C103	BK	Near T/O for Fuel Injector NO. 6	2, 3
C104 (LHD)	GY	Rear of Engine	2
C104 (RHD)	BK	Rear of Engine	3
C106 (LHD)	BK	Left Kick Panel	2, 15
C106 (RHD)	BK	Right Kick Panel	16
C107 (LHD)	YL	Left Kick Panel	2, 15
C107 (RHD)	YL	Right Kick Panel	16
C108 (LHD)	BL	Left Kick Panel	2, 15
C108 (RHD)	BL	Right Kick Panel	16
C110	BK	Left Fender Side Shield	3, 5
C154	BK	Top Right Side of Transmission	11, 14
C170	LT GY/ BK	Right Kick Panel	2, 17, 18
C180	BK	Engine Compartment Left Side	N/S
C202 (LHD)	GY	Left Kick Panel	15, 17
C202 (RHD)	GY	Right Kick Panel	16, 18
C203 (LHD)	GN	Left Kick Panel	15, 17
C203 (RHD)	GN	Right Kick Panel	16, 18
C204 (LHD)	RD	Left Kick Panel	15, 17
C204 (RHD)	RD	Right Kick Panel	16, 18
C322	BK	Left Kick Panel	15, 16, 22
C323 (LHD)	RD	Left Kick Panel	15, 22

DESCRIPTION AND OPERATION (Continued)

Connector Name/Number	Color	Location	Fig.
C323 (RHD)	LT GY	Left Kick Panel	16
C325 (4 Spkr Sys)	WT/ BK	Left Side of Sound Bar	22, 23
C326 (Hard Top)	BK	Left Rear Quarter Panel	22, 23
C329 (LHD)	BK	Left Side of Rear Bumper	24
C329 (RHD)	BK	Right Side of Rear Bumper	25
C330 (4 Spkr Sys)	WT/ BK	Left Side of Sound Bar	22, 23
C331 (Hard Top)	BK	Left Rear Quarter Panel	22, 23
Camshaft Position Sensor	GY	Below Distributor	11
Cigar Lighter/ Accessory Relay (LHD)	BK	Bottom of Instrument Panel Near Steering Column	15, 22
Cigar Lighter/ Accessory Relay (RHD)	BK	Bottom of Instrument Panel Near Steering Column	N/S
Cigar Lighter/ Power Outlet	RD	Rear of Cigar Lighter	17, 18
Clockspring - C1	YL	Rear of Clockspring	20
Clockspring - C2	NAT	Rear of Clockspring	20
Clutch Pedal Position Switch (M/T)	BK	Top of Clutch Pedal Bracket	15, 16
Combination Flasher	BK	Bottom of Instrument Panel Near Steering Column	20
Controller Anti-Lock Brake - C1	GY	Near Grommet Rear Left Side of Dash Panel	2, 19
Controller Anti-Lock Brake - C2	GY	Near Grommet Rear Left Side of Dash Panel	2, 19
Crankshaft Position Sensor	BK	At Rear of Intake Manifold	9, 10, 13

Connector Name/Number	Color	Location	Fig.
Data Link Connector (LHD)	BK	Bottom Left of Instrument Panel	17
Data Link Connector (RHD)	BK	Bottom Right of Instrument Panel	18
Daytime Running Lamp Module (Except Built-Up-Export)	BK	Left Side of Engine Compartment	4
Driver Door Ajar Switch	NAT	At "A" Pillar	15, 16
Duty Cycle Evap/Purge solenoid	BK	Left Fender Side Shield	5
Engine Coolant Temperature Sensor	BK	On Thermostat Housing	9, 10
Engine Oil Pressure Sensor	BK	Right Side of Engine Block	11
Fog Lamp Relay NO.1 (Except Built-Up-Export)	BK	Near Fuse Block T/O	15
Fog Lamp Relay NO.2 (Except Built-Up-Export)	BK	Near Fuse Block T/O	15
Front Fog Lamp Switch (Except Built-Up-Export)	BK	At Switch	17
Fuel Injector NO.1	BK	At Injector	9, 10
Fuel Injector NO.2	BK	At Injector	9, 10
Fuel Injector NO.3	BK	At Injector	9, 10
Fuel Injector NO.4	BK	At Injector	9, 10
Fuel Injector NO.5	BK	At Injector	10
Fuel Injector NO.6	BK	At Injector	10
Fuel Pump Module	BK	Above Fuel Tank	1

DESCRIPTION AND OPERATION (Continued)

Connector Name/Number	Color	Location	Fig.
G100		Rear Center of Engine Compartment	2, 3
G101		Rear Center of Engine Compartment	2
G102		Left Radiator Closure Panel	5
G103		Right Radiator Closure Panel	1
G104		Rear of Generator	12
G105		Right Rear of Engine Block	12
G106		Right Rear of Engine Block	12
G107		Right Rear of Engine Block	12
G200		Right Rear of Instrument Panel	17, 18
G201		Right Rear of Instrument Panel	17, 18
G202 (LHD)		Right Rear of Instrument Panel	21
G202 (RHD)		Left Rear of Instrument Panel	18
G203 (LHD)		Right Rear of Instrument Panel	21
G203 (RHD)		Left Rear of Instrument Panel	18
G300 (LHD)		Left Kick Panel	15
G300 (RHD)		Right Kick Panel	16
G301 (LHD)		Right Kick Panel	15
G301 (RHD)		Left Kick Panel	16
G302 (LHD)		Left Kick Panel	15
G302 (RHD)		Right Kick Panel	16

Connector Name/Number	Color	Location	Fig.
G Switch	BK	Near T/O for Controller Anti-Lock Brake	19
Generator	BK	Rear of Generator	12
Headlamp Dimmer Switch	BK	At Steering Column Part of Multifunction Switch	20
Headlamp Leveling Switch (Built-Up-Export)	BK	Right Side of Instrument Panel	17, 18
Headlamp Switch	BK	Rear of Switch	17, 18
High Note Horn	BK	Left Front Fender Side Shield	5
HVAC Unit (LHD)	GY	Bottom Right of Instrument Panel	21
HVAC Unit (RHD)	GY	Bottom Left of Instrument Panel	18
Hydraulic Control Unit	BK	Left Side of Engine Compartment	6
Idle Air Control Motor	BK	Side of Throttle Body	9, 10
Ignition Coil	GY	Near Generator	12
Ignition Switch	GY	Rear of Ignition Switch	20
Instrument Cluster - C1	GN	Rear of Cluster	17, 18
Instrument Cluster - C2	BL	Rear of Cluster	17, 18
Intake Air Temperature Sensor	GY	Rear of Intake Manifold	9, 10
Key-In Switch	GN	At Key-In Switch	20
Leak Detection Pump (Except Built-Up-Export)	BK	Engine Compartment Left Side	N/S
Left City Lamp (Built-Up-Export)	BK	At Lamp	5

DESCRIPTION AND OPERATION (Continued)

Connector Name/Number	Color	Location	Fig.
Left Courtesy Lamp	BK	Left Side of Instrument Panel	17, 18
Left Fog Lamp (Except Built-Up-Export)	BK	At Lamp	N/S
Left Front Park/Turn Signal Lamp (Except Built-Up-Export)	BK	At Lamp	N/S
Left Front Speaker	BK	At Speaker	17, 18
Left Front Turn Signal Lamp (Built-Up-Export)	BK	At Lamp	N/S
Left Front Wheel Speed Sensor	BK	Left Side of Engine Compartment Near Hydraulic Control Unit	6
Left Headlamp	BK	Rear of Lamp	5
Left Headlamp Leveling Motor (Built-Up-Export)	BK	At Lamp	5
Left License Lamp (Built-Up-Export)	GY	At Lamp	24, 25
Left Rear Lamp Assembly	BK	At Lamp	24, 25
Left Rear Speaker (Sound Bar)	BK	At Sound Bar	N/S
Left Rear Wheel Speed Sensor	BK	Near Vehicle Speed Sensor T/O	1
Left Repeater Lamp (Built-Up-Export)	GY	At Lamp	N/S
Left Side Marker Lamp (Except Built-Up-Export)	GY	At Lamp	N/S

Connector Name/Number	Color	Location	Fig.
Low Note Horn (Except Built-Up-Export)	BK	Left Front Fender Side Shield	5
Manifold Absolute Pressure Sensor	BK	Side of Throttle Body	9, 10
Oxygen Sensor 1/1 Upstream	GY	On Front Exhaust Pipe	9, 10
Oxygen Sensor 1/2 Downstream	BK	Rear of Catalytic Converter	14
Park/Neutral Position Switch (A/T)	BK	Left of Transmission	11
Passenger Airbag	YL	Rear of Airbag	15, 16, 18, 21
Passenger Airbag On/Off Switch - C1	LT GY	Near Fuse Block T/O	15, 16
Passenger Airbag On/Off Switch - C2	YL	Near Fuse Block T/O	15, 16
Passenger Door Ajar Switch	BK	Near T/O for G301	15, 16
Power Steering Pressure Switch (2.5L)	BK	Near Power Steering Pump	9
Powertrain Control Module - C1	BK	Left Rear of Engine Compartment	3, 4
Powertrain Control Module - C2	WT	Left Rear of Engine Compartment	3, 4
Powertrain Control Module - C3	GY	Left Rear of Engine Compartment	3, 4
PRNDL Lamp	BK	Rear of Lamp	15, 16
Radio - C1	GY	Rear of Radio	17, 18
Radio - C2	BK	Rear of Radio	17, 18
Rear Fog Lamp (Built-Up-Export)	BK	At Lamp	24, 25
Rear Fog Lamp Relay (Built-Up-Export) (LHD)	LT GN	Near Fuse Block T/O	N/S

DESCRIPTION AND OPERATION (Continued)

Connector Name/Number	Color	Location	Fig.
Rear Fog Lamp Relay (Built-Up-Export) (RHD)	LT GN	Near Fuse Block T/O	16
Rear Fog Lamp Switch (Built-Up-Export)	WT	At Switch	17, 18
Rear Washer Pump (Hard Top)	BK	Under Washer Fluid Reservoir	5
Rear Window Defogger Switch (Hard Top)	GY	Behind Rear Window Defogger Switch	17, 18
Rear Wiper Motor (Hard Top)	BK	At Rear Wiper Motor	N/S
Rear Wiper/Washer Switch (Hard Top)	WT	Behind Rear Wiper/Washer Switch	17, 18
Right City Lamp (Built-Up-Export)	BK	At Lamp	1
Right Courtesy Lamp	BK	Right Side of Instrument Panel	18, 21
Right Fog Lamp (Except Built-Up-Export)	BK	At Lamp	1
Right Front Park/Turn Signal Lamp (Except Built-Up-Export)	BK	At Lamp	1
Right Front Speaker	BK	At Speaker	18, 21
Right Front Turn Signal Lamp (Built-Up-Export)	BK	At Lamp	1
Right Front Wheel Speed Sensor	BK	Rear of Engine	13
Right Headlamp	BK	Rear of Lamp	1
Right Headlamp Leveling Motor (Built-Up-Export)	BK	Near Lamp at Motor	1

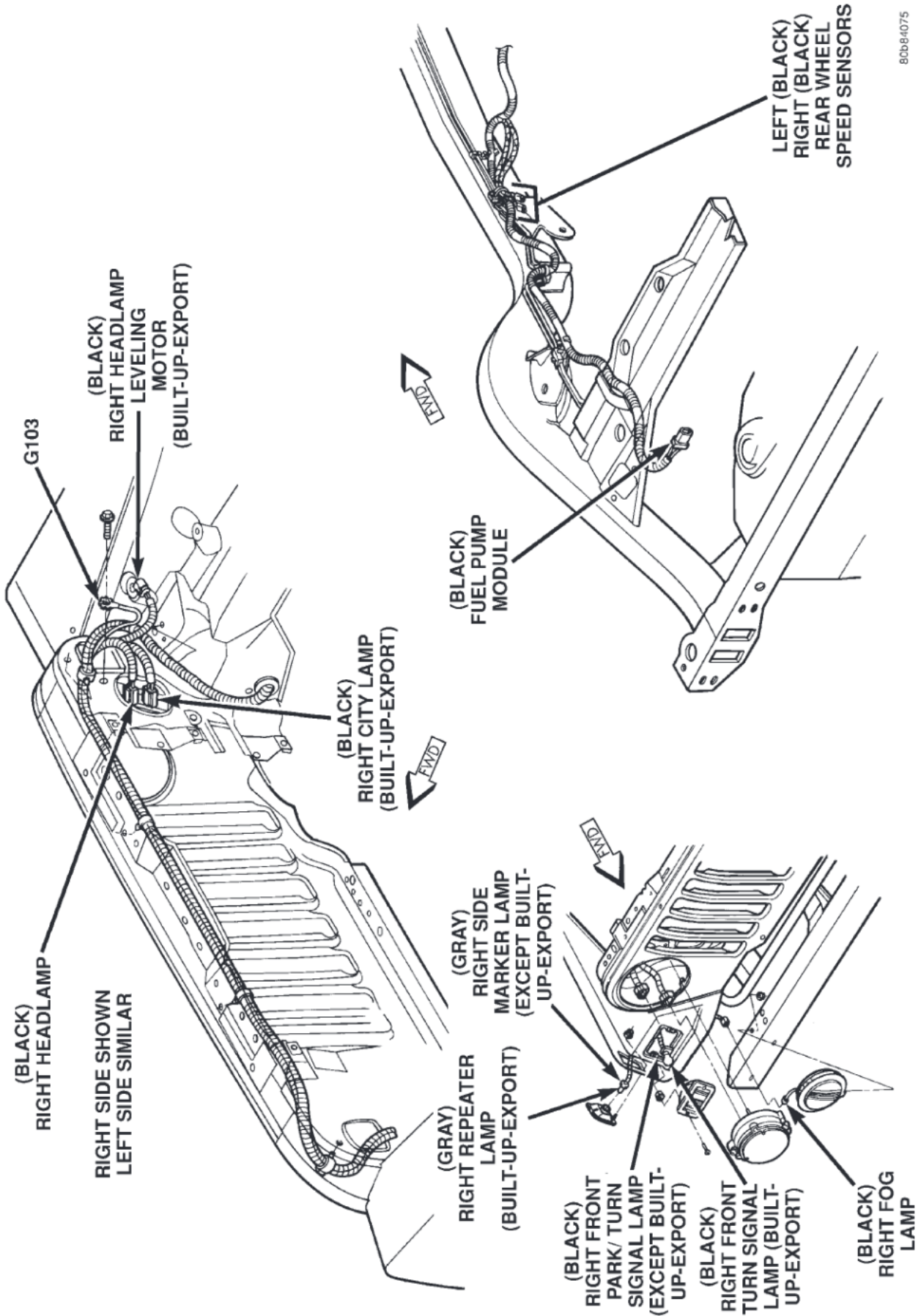
Connector Name/Number	Color	Location	Fig.
Right License Lamp (Built-Up-Export)	GY	At Lamp	24, 25
Right Rear Lamp Assembly	BK	At Lamp	24, 25
Right Rear Speaker (Sound Bar)	BK	At Sound Bar	N/S
Right Rear Wheel Speed Sensor	BK	Near Vehicle Speed Sensor T/O	1
Right Repeater Lamp (Built-Up-Export)	GY	At Lamp	1
Right Side Marker Lamp (Except Built-Up-Export)	GY	At Lamp	1
Seat Belt Switch (Except LHD Built-Up-Export)	BK	Near Park Brake Switch T/O	22, 23
Sentry Key Immobilizer Module	BK	At Immobilizer	15, 16
Sound Bar Dome Lamp	BK	At Sound Bar	N/S
Throttle Position Sensor	NAT	Side of Throttle Body	9, 10
Torque Converter Clutch Solenoid	BK	Left Side of Transmission	N/S
Transfer Case Switch	BK	Left Side of Transfer Case	14
Turn Signal/Hazard Switch	BK	At Steering Column Part of Multifunction Switch	20
Underhood Lamp	BK	Under Hood	2, 3
Vehicle Speed Control Servo (LHD)	BK	Left Side of Engine Compartment	N/S
Vehicle Speed Control Servo (RHD)	BK	Right Side of Engine Compartment	N/S
Vehicle Speed Sensor	BK	Left Rear of Transfer Case	14

DESCRIPTION AND OPERATION (Continued)

Connector Name/Number	Color	Location	Fig.
Windshield Washer Pump	BK	Under Washer Fluid Reservoir	5
Windshield Wiper Motor	BK	Center of Cowl Panel	7, 8

Connector Name/Number	Color	Location	Fig.
Windshield Wiper Switch	NAT	At Steering Column	20

DESCRIPTION AND OPERATION (Continued)



8Cb84075

Fig. 1 Front End Wiring Connectors

DESCRIPTION AND OPERATION (Continued)

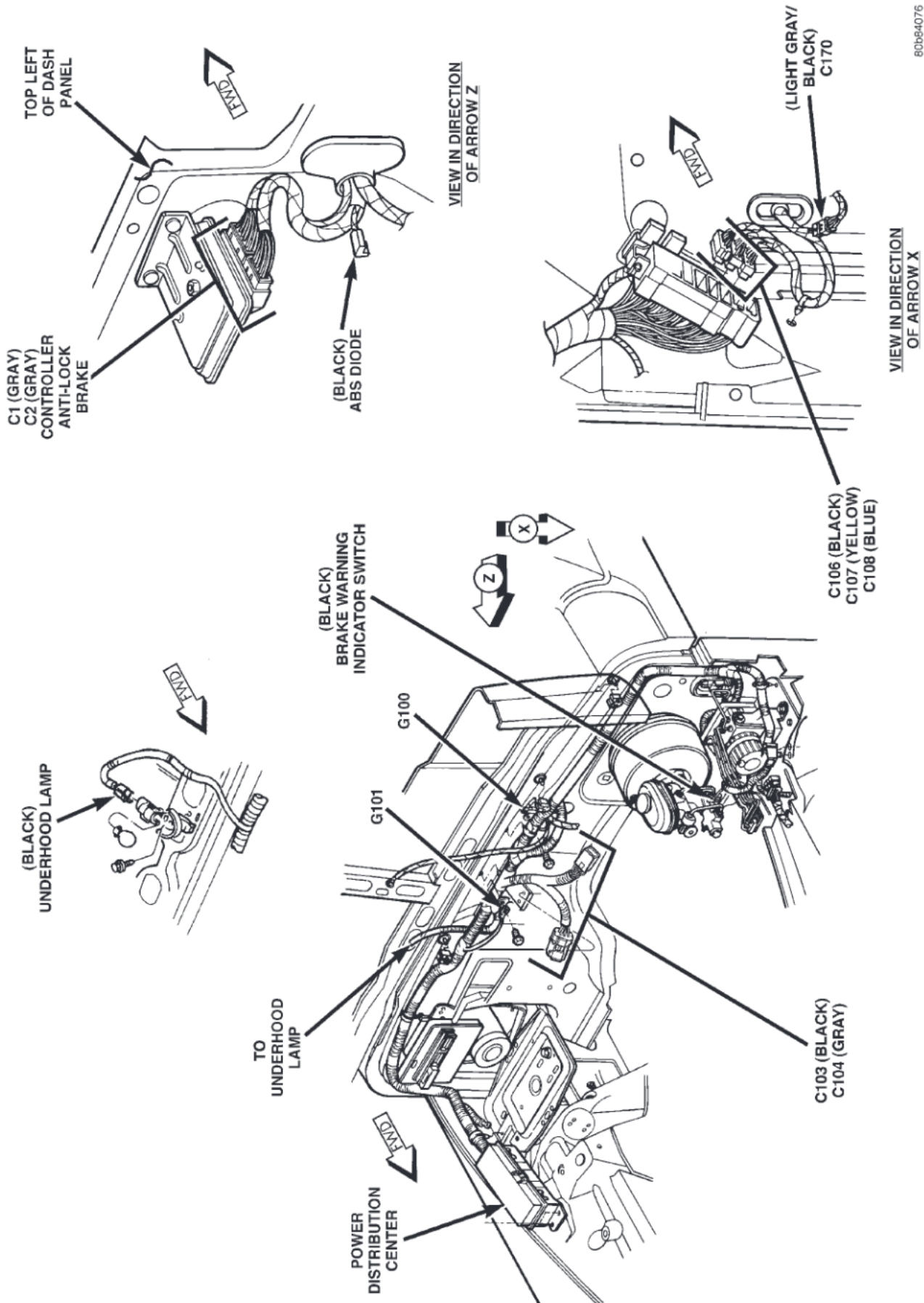
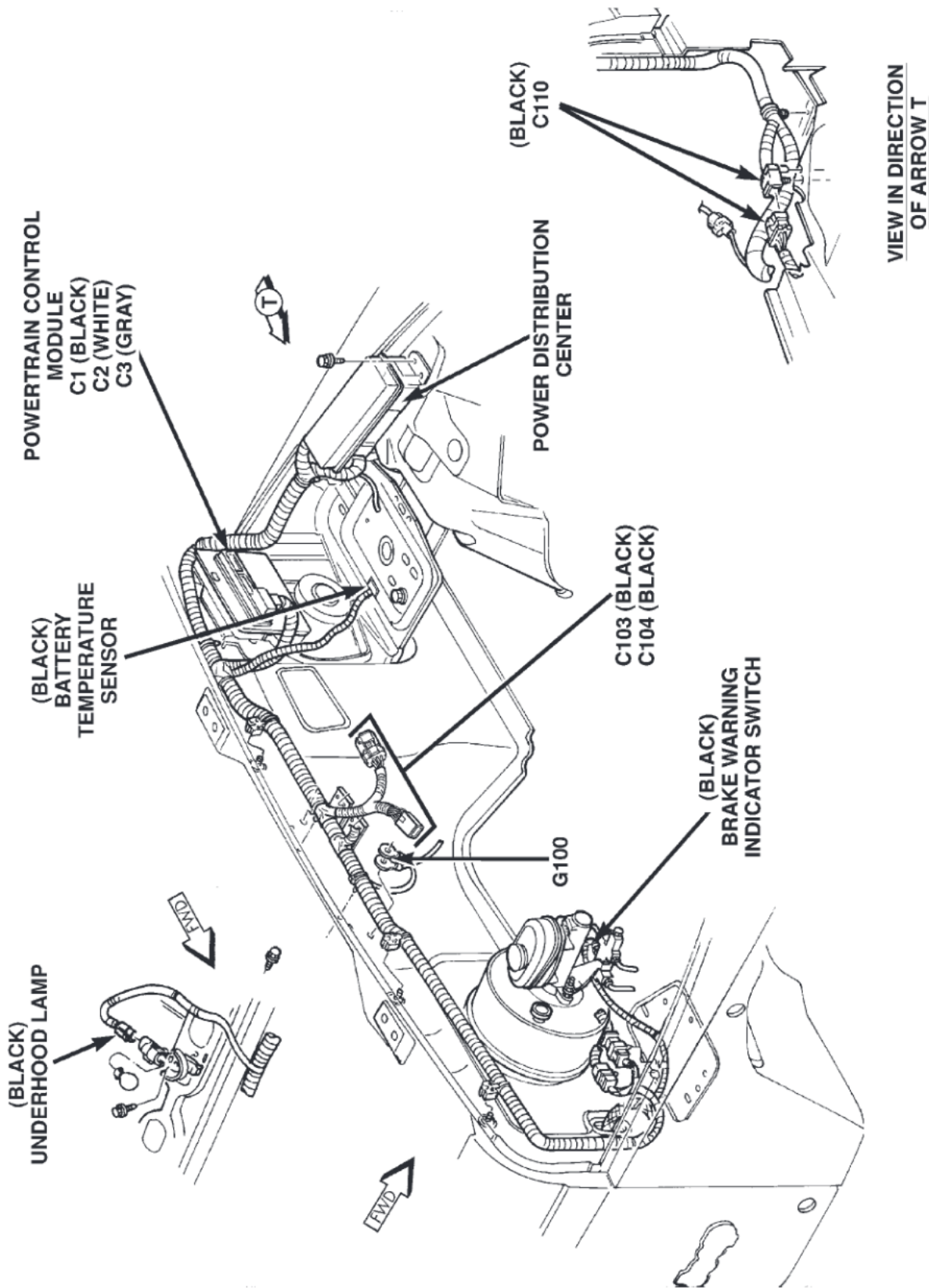


Fig. 2 Engine Compartment Connectors — Rear, LHD

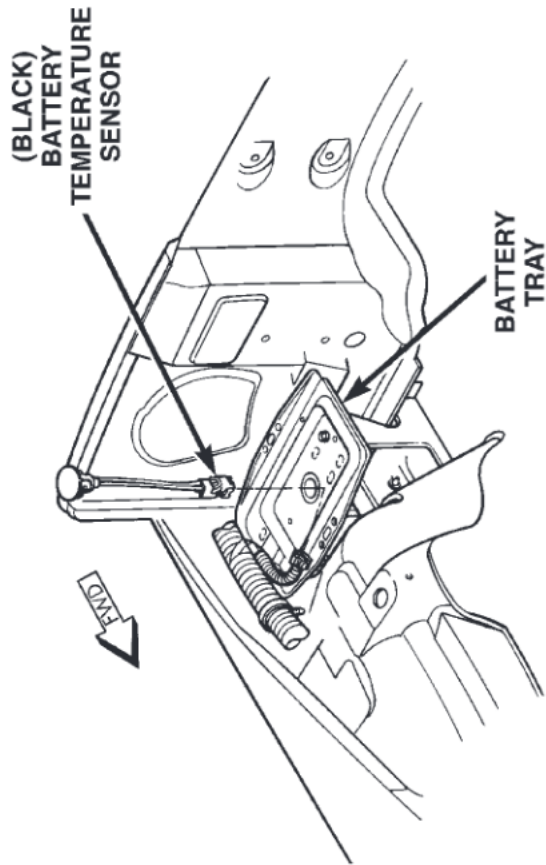
DESCRIPTION AND OPERATION (Continued)



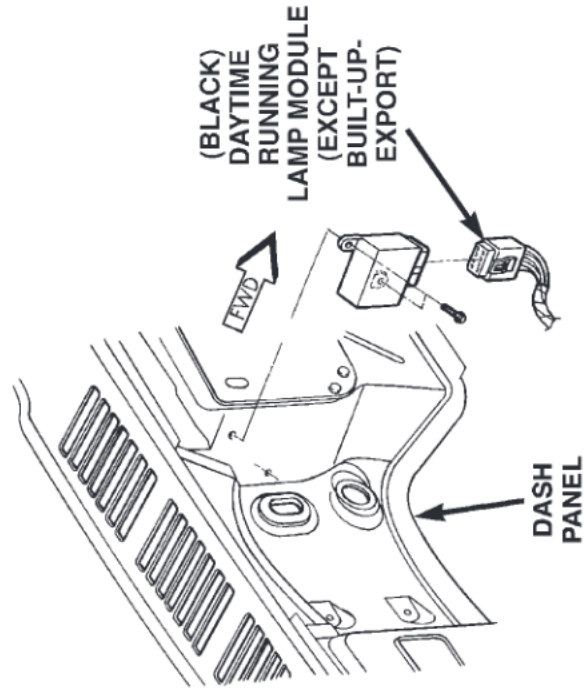
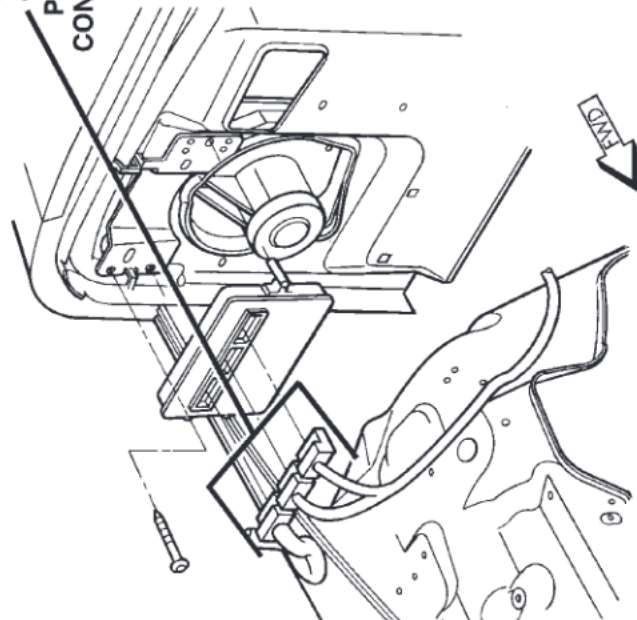
80b64077

Fig. 3 Engine Compartment Connectors — Rear, RHD

DESCRIPTION AND OPERATION (Continued)



C1 (BLACK)
C2 (WHITE)
C3 (GRAY)
POWERTRAIN CONTROL MODULE



80b84078

Fig. 4 Engine Compartment Connectors—LHD

DESCRIPTION AND OPERATION (Continued)

80c84079

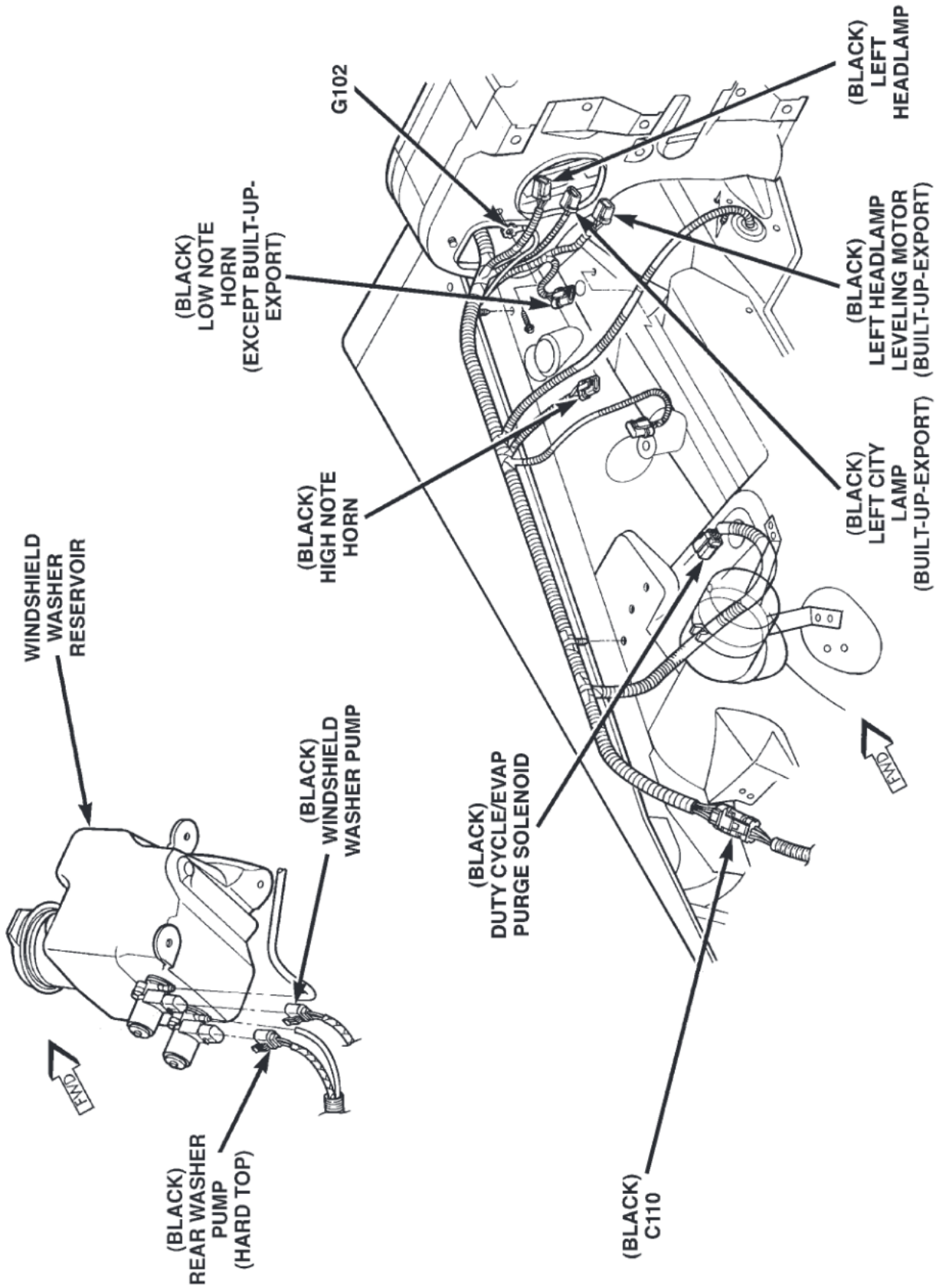
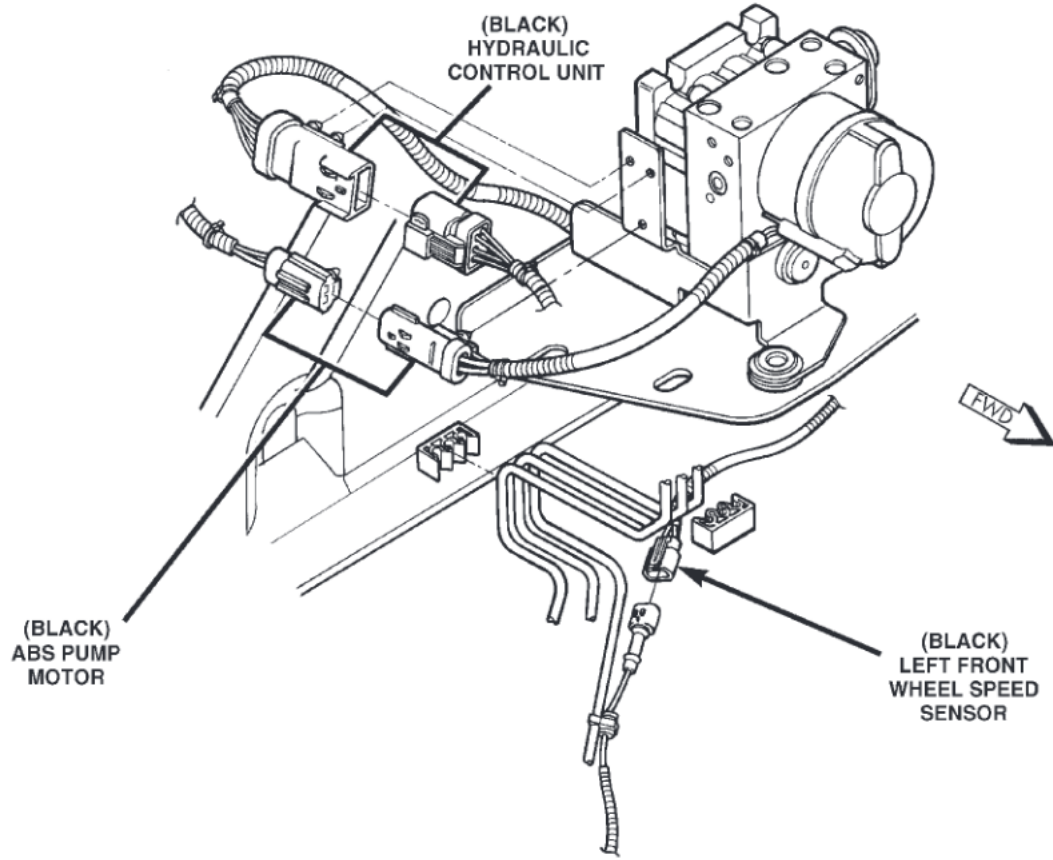


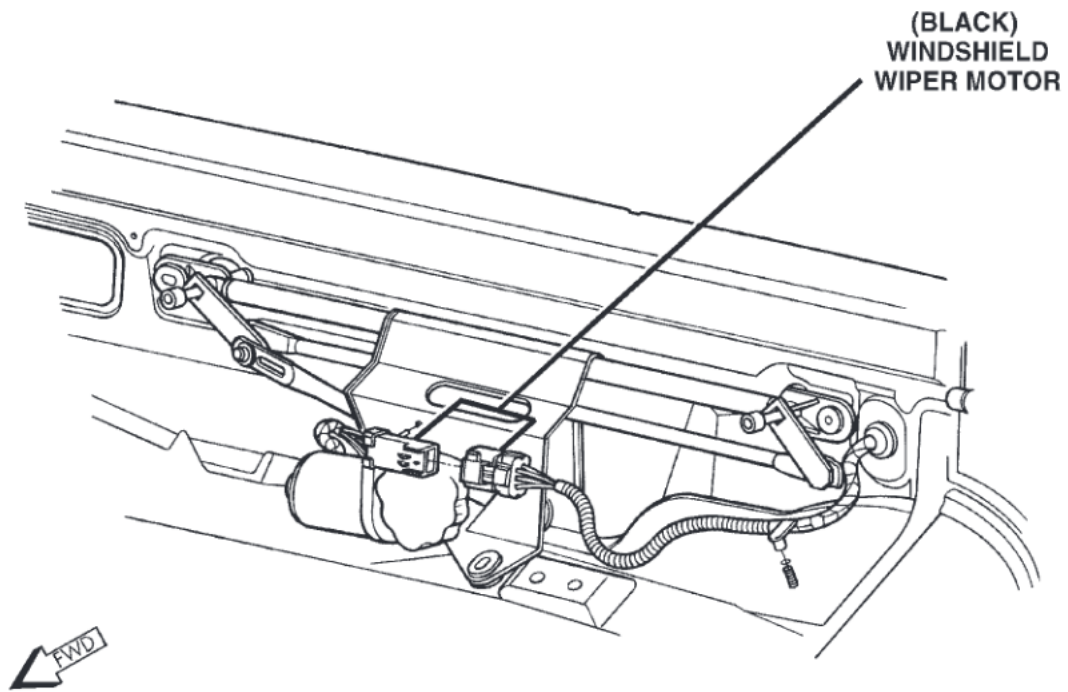
Fig. 5 Engine Compartment Connectors—Front Side

DESCRIPTION AND OPERATION (Continued)



80b46c54

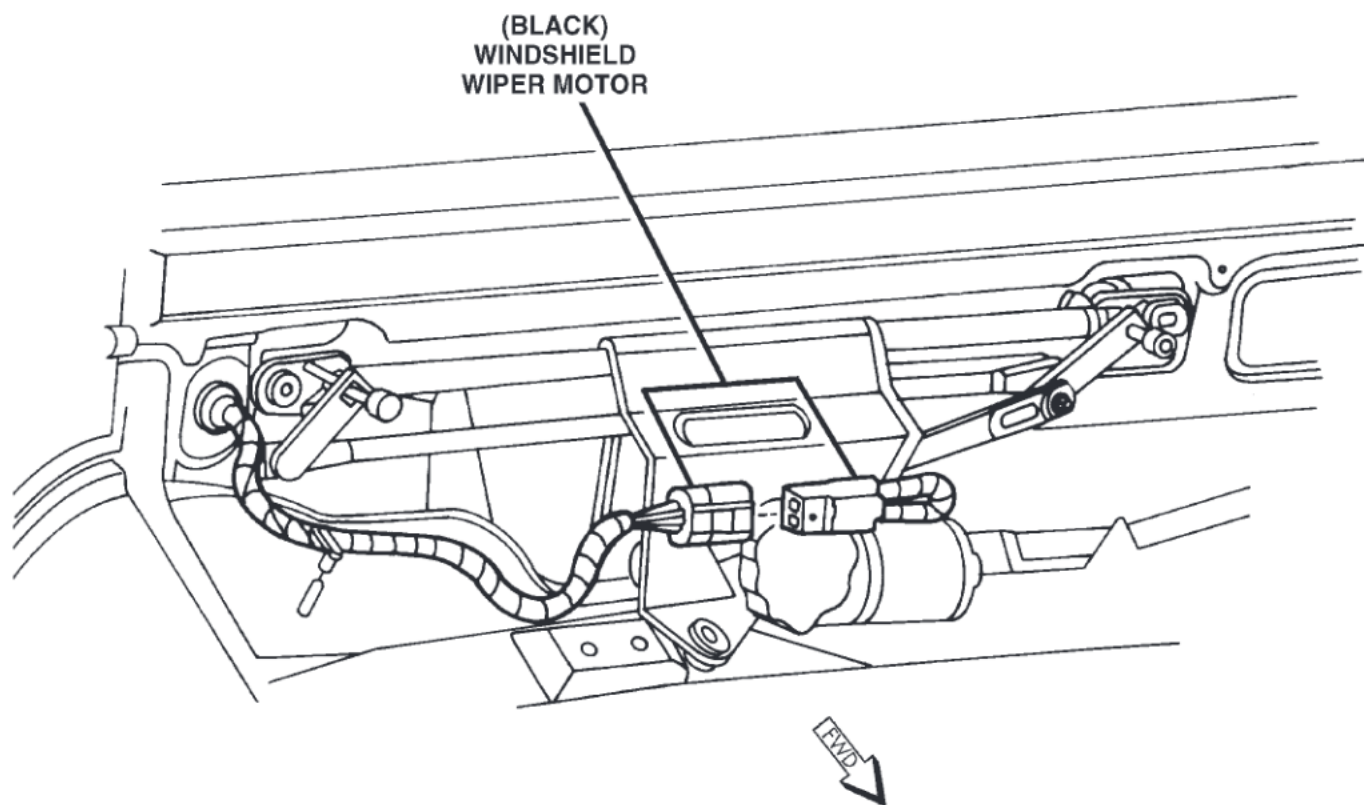
Fig. 6 ABS Hydraulic Control Unit



80b46c55

Fig. 7 Windshield Wiper Motor—LHD

DESCRIPTION AND OPERATION (Continued)



80b46c56

Fig. 8 Windshield Wiper Motor—RHD

DESCRIPTION AND OPERATION (Continued)

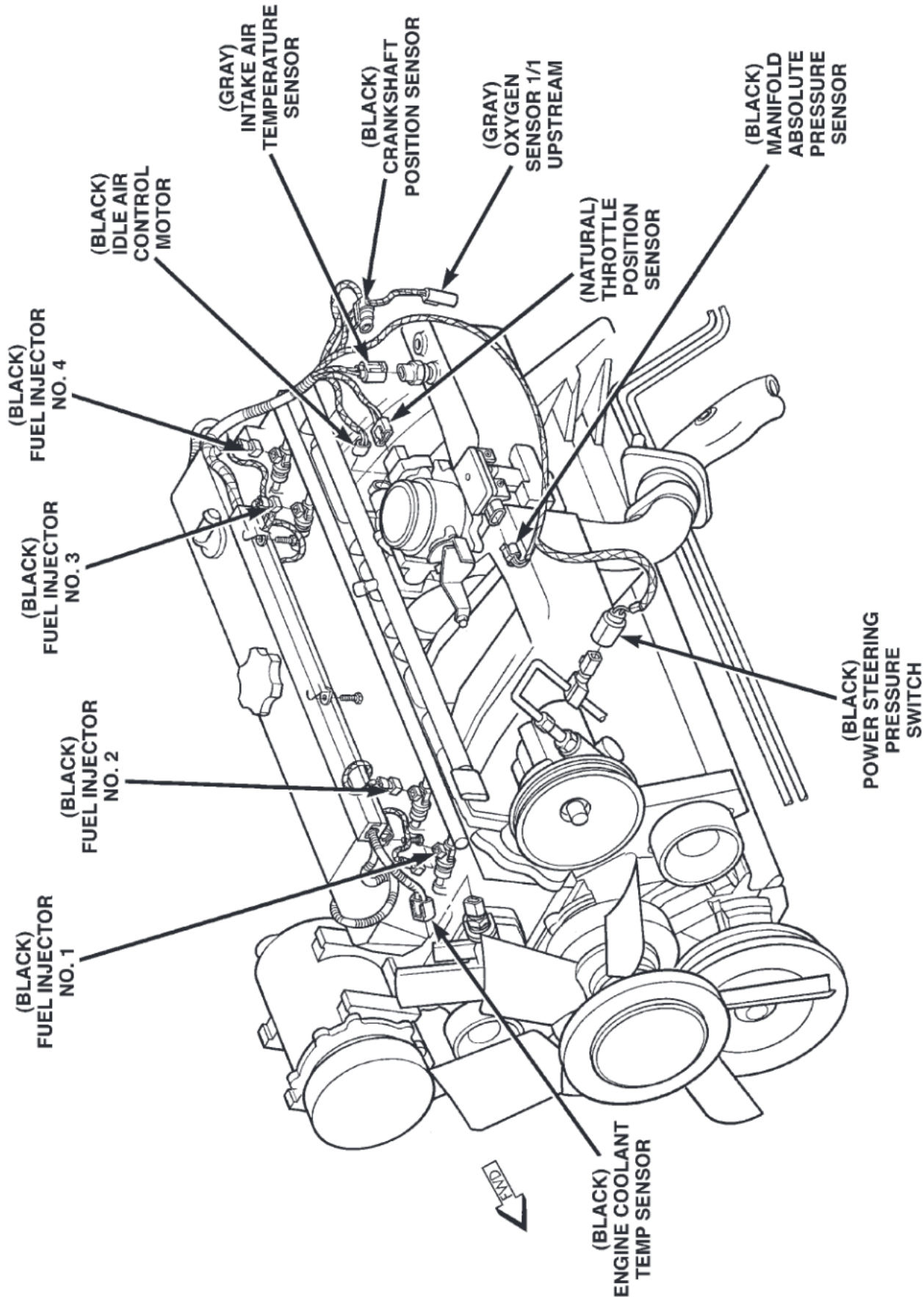


Fig. 9 Engine Harness Connectors—2.5L Engine

DESCRIPTION AND OPERATION (Continued)

60684087

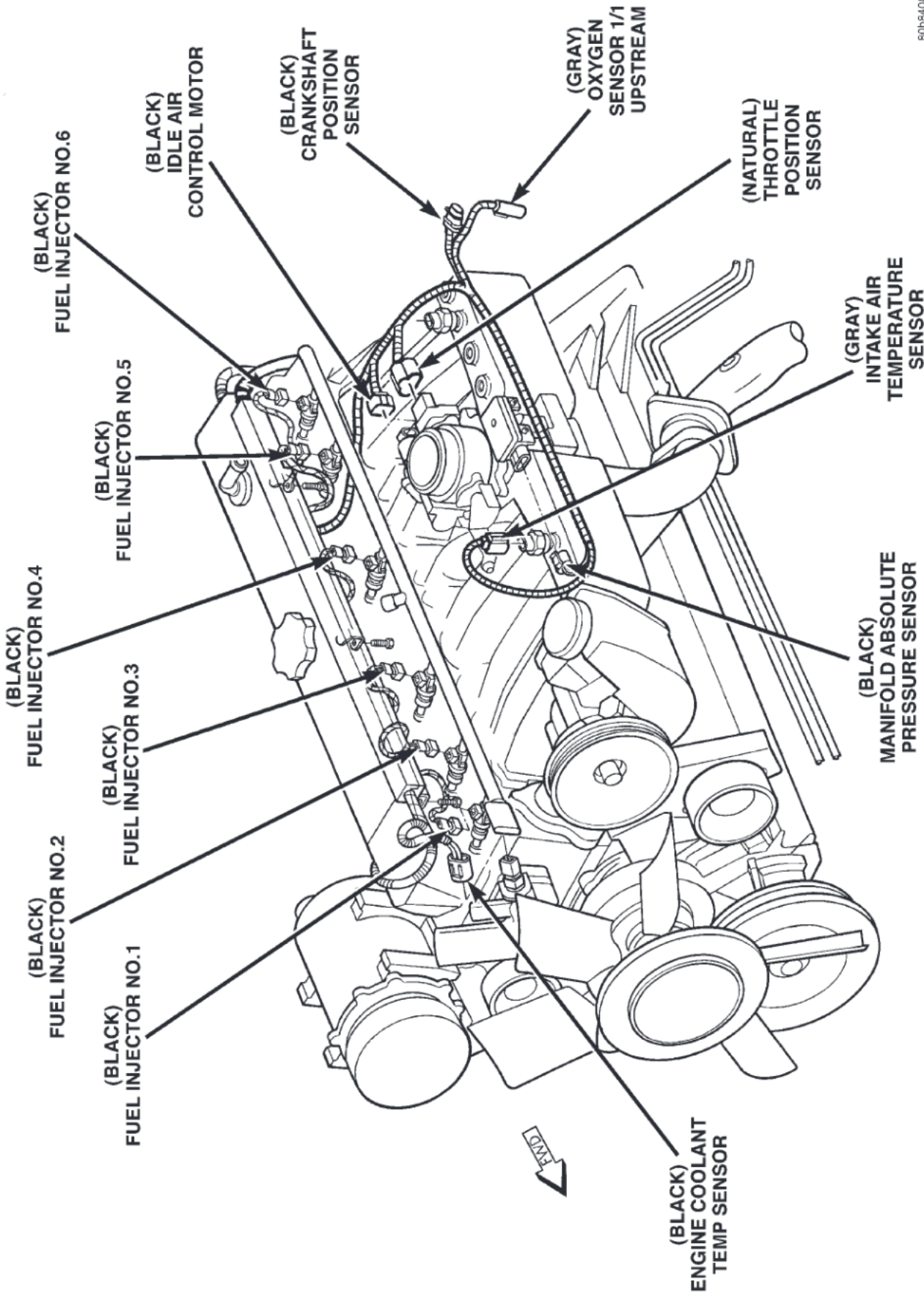


Fig. 10 Engine Harness Connectors—4.0L Engine

DESCRIPTION AND OPERATION (Continued)

80b54088

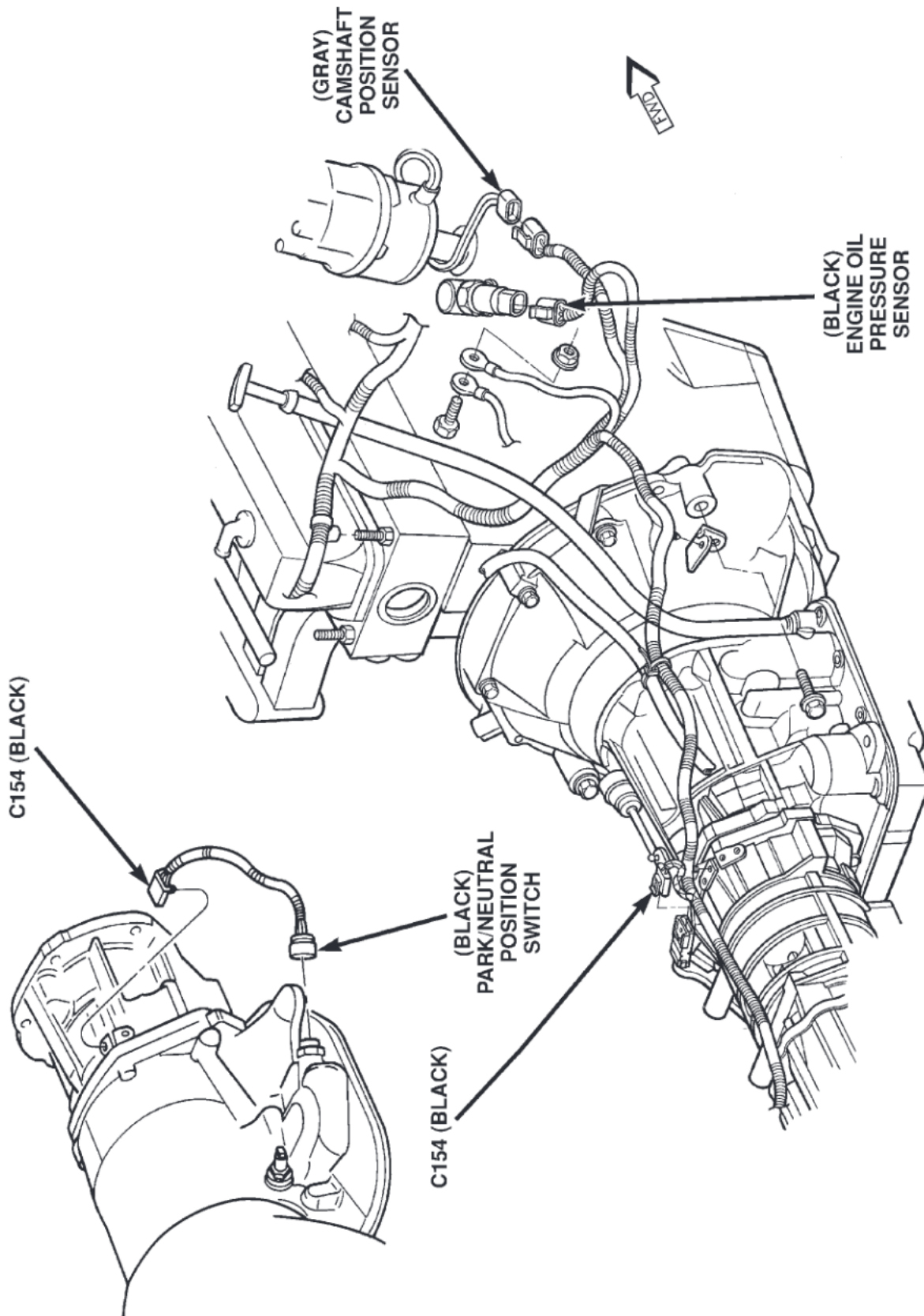


Fig. 11 Engine and Automatic Transmission Connectors

DESCRIPTION AND OPERATION (Continued)

80b84089

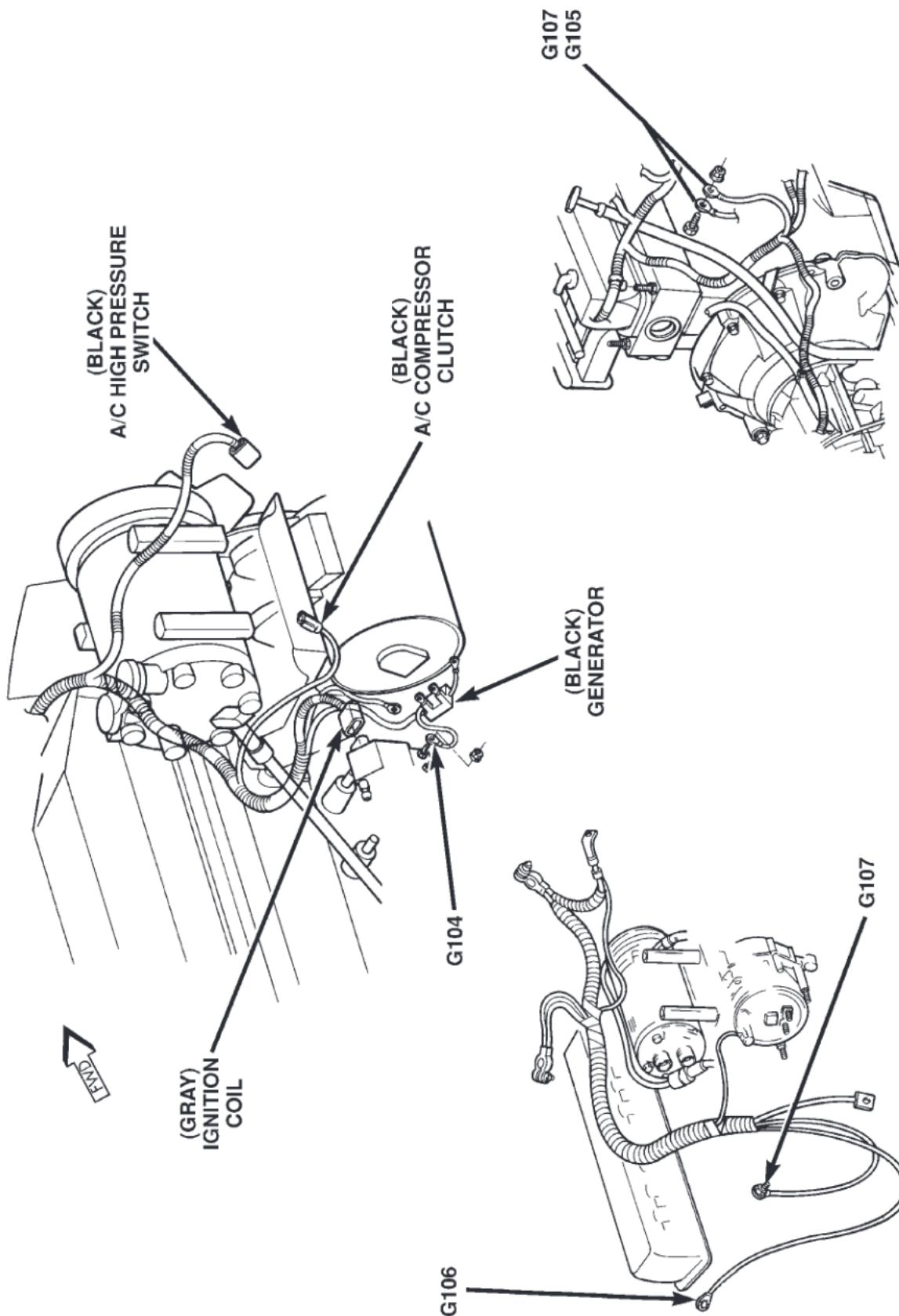
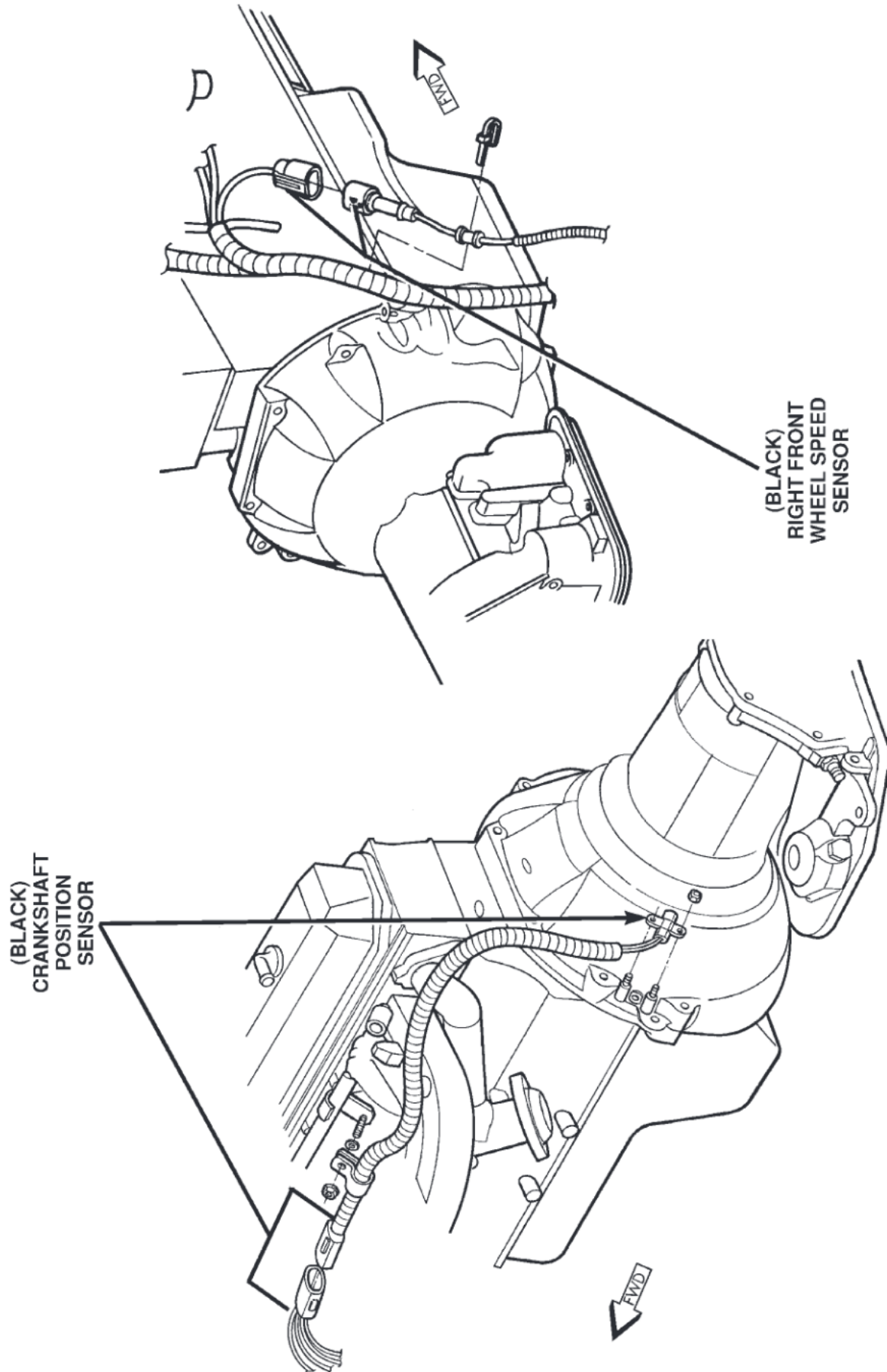


Fig. 12 Engine Grounds

DESCRIPTION AND OPERATION (Continued)



80b8408a

Fig. 13 Crankshaft Position Sensor and Right Front Wheel Speed Sensor

DESCRIPTION AND OPERATION (Continued)

80b8408b

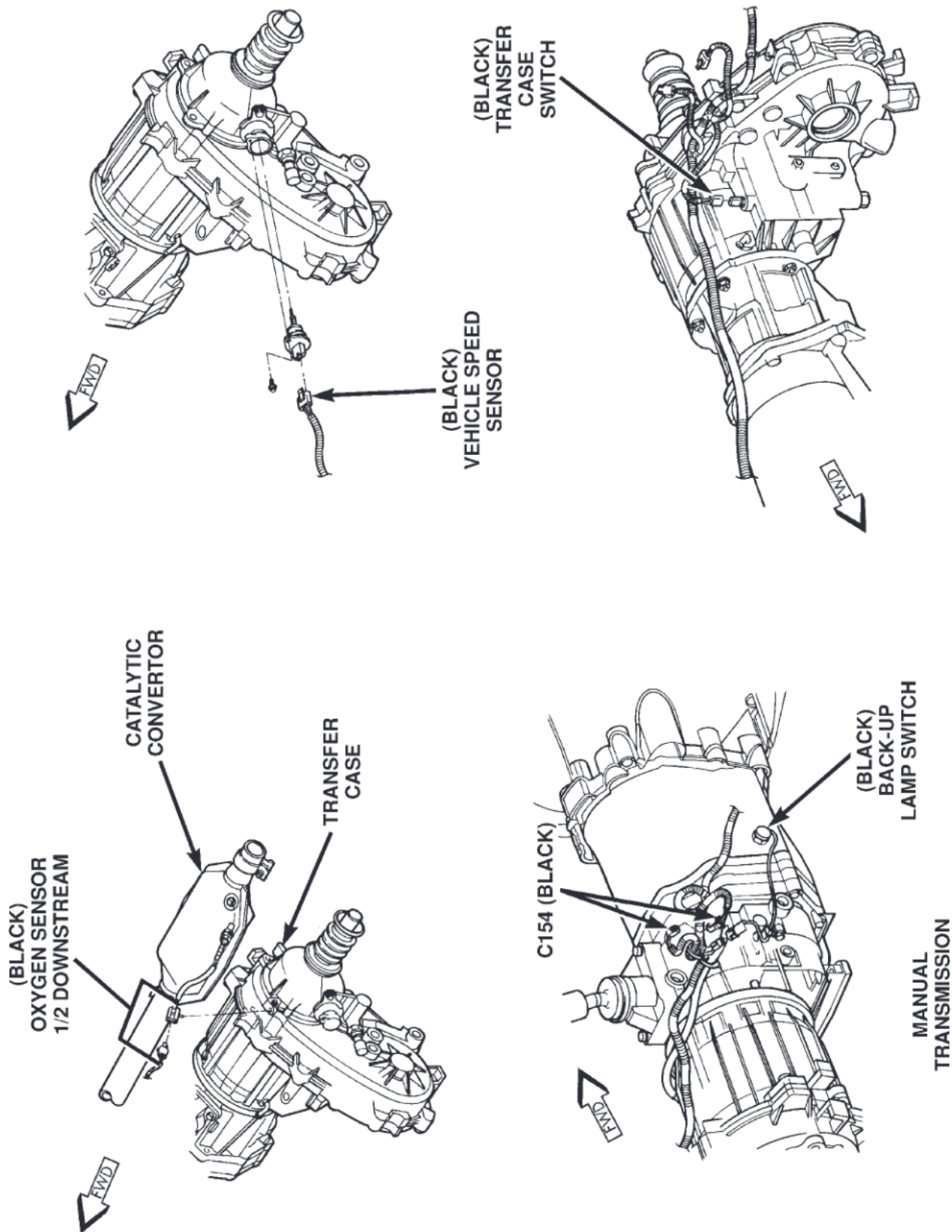


Fig. 14 Transmission and Transfer Case Connectors

DESCRIPTION AND OPERATION (Continued)

80b5408c

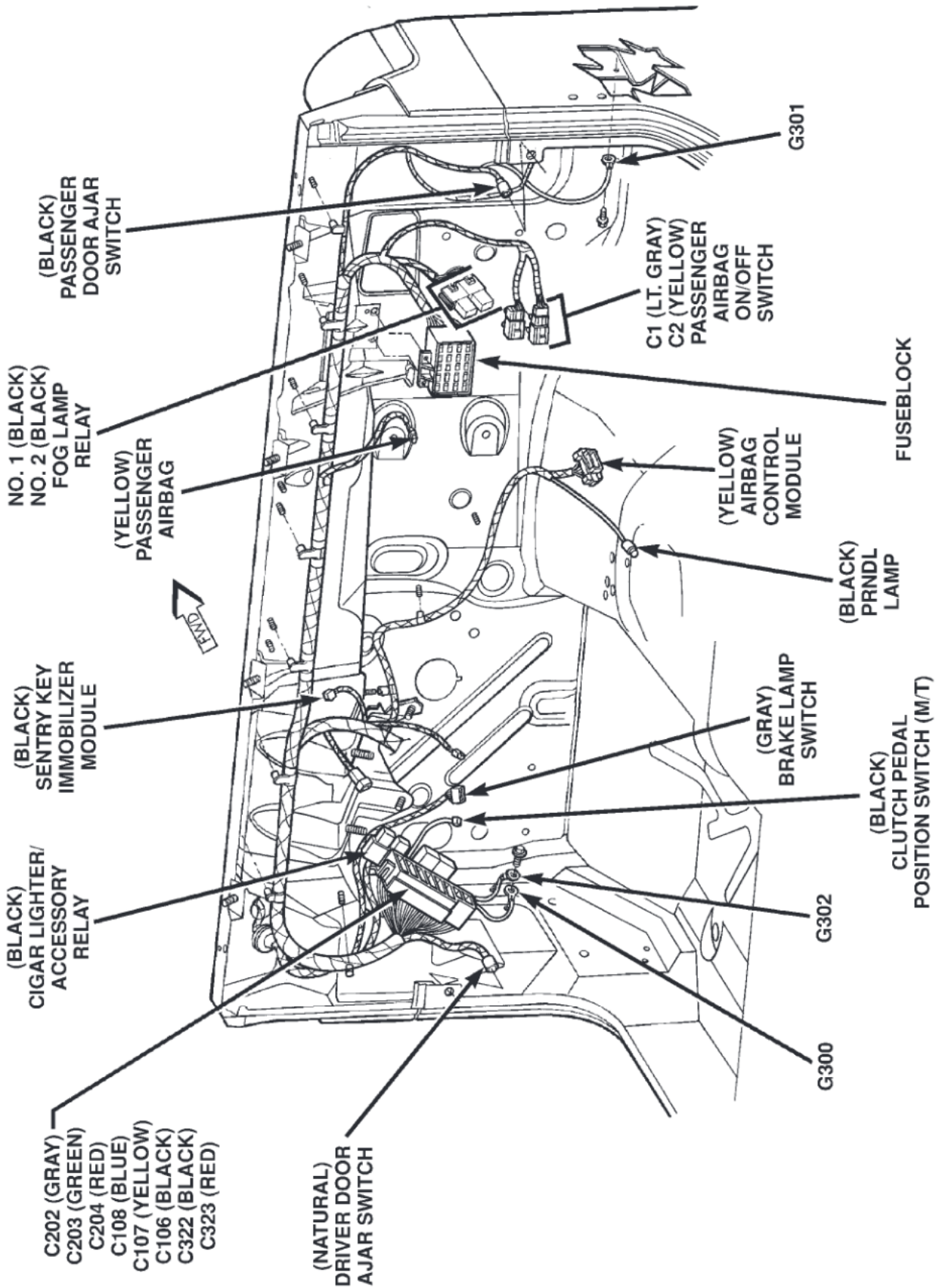
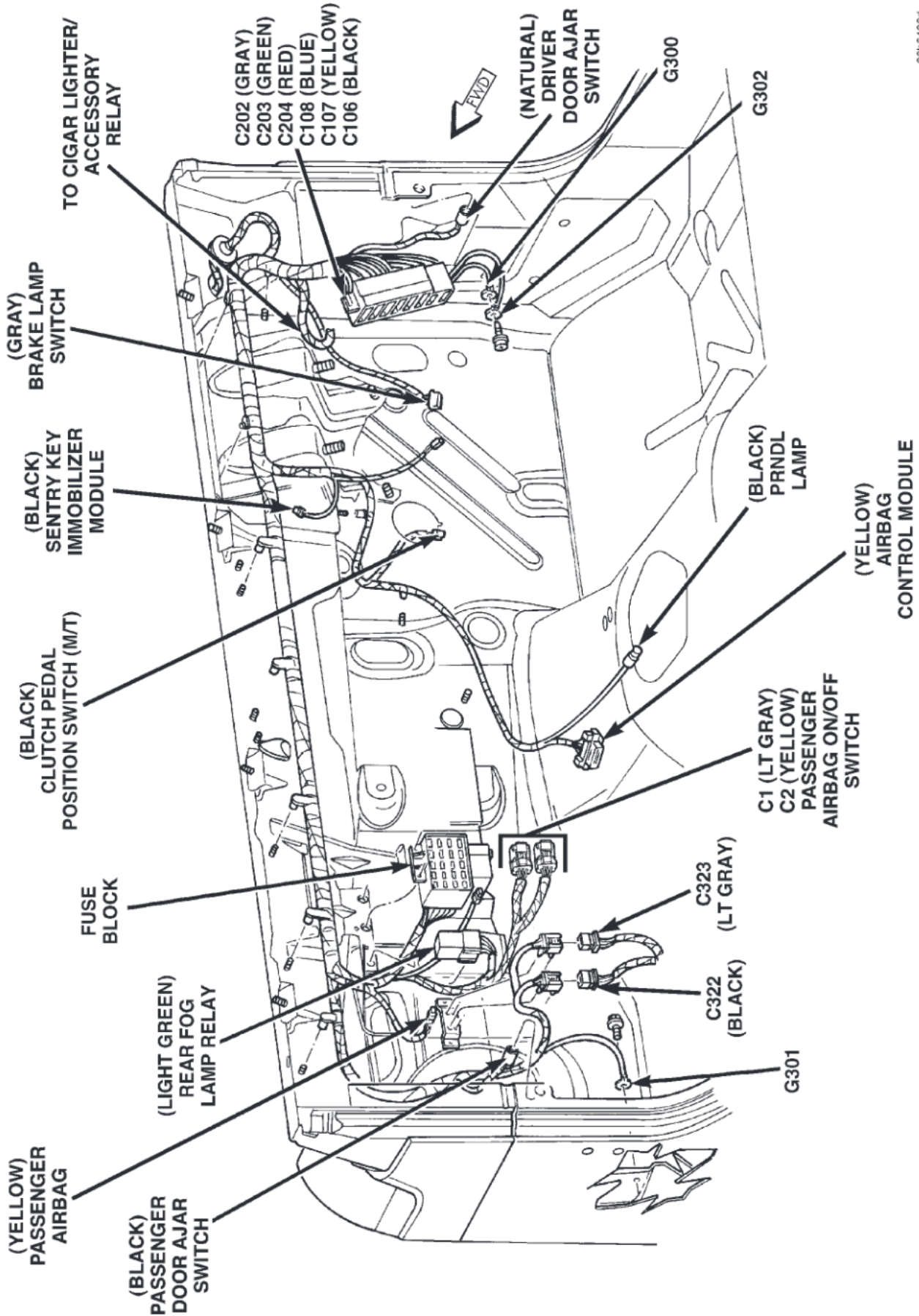


Fig. 15 Dash Panel Connectors—LHD

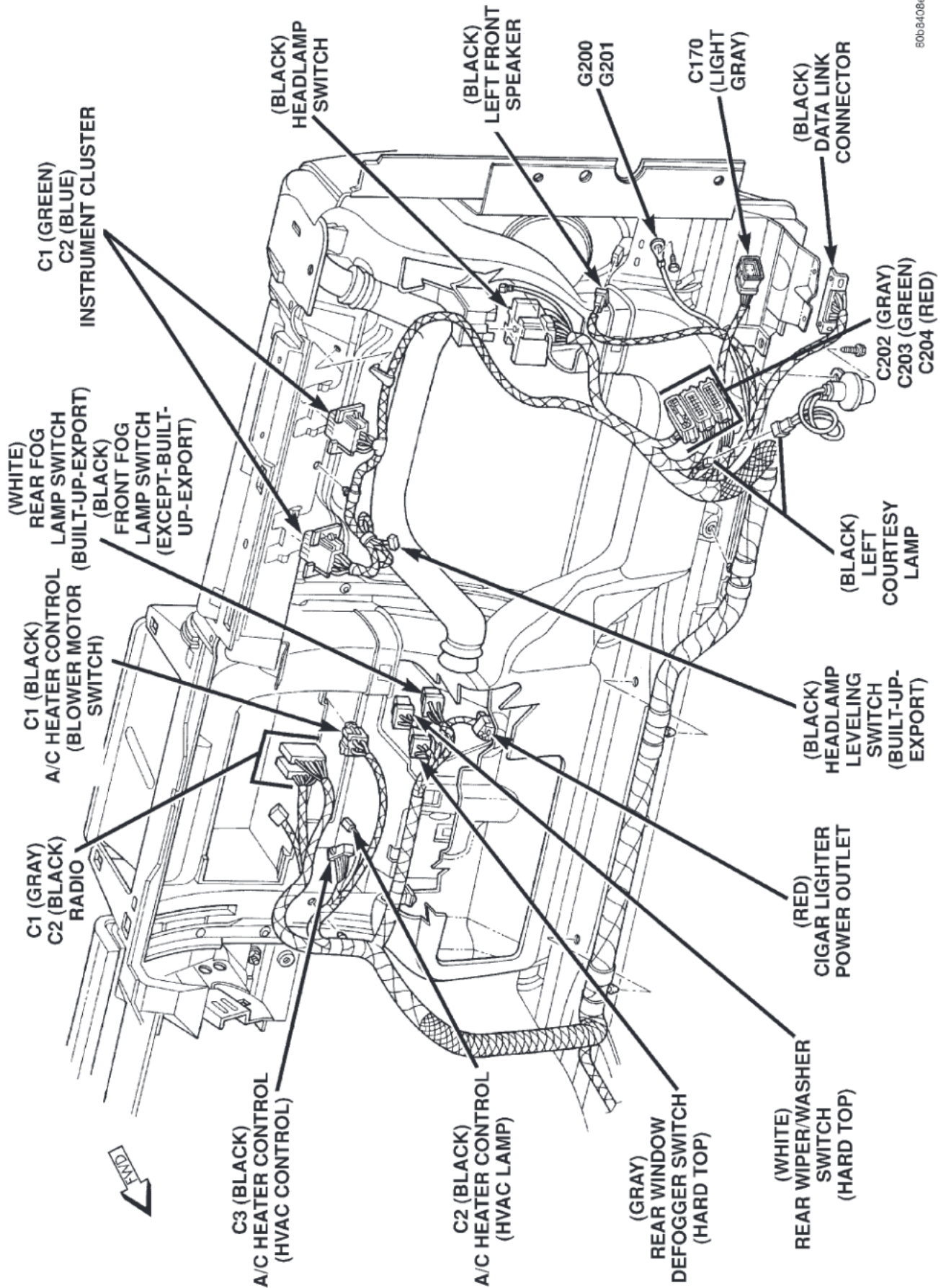
DESCRIPTION AND OPERATION (Continued)



8068408d

Fig. 16 Dash Panel Connectors—RHD

DESCRIPTION AND OPERATION (Continued)



80b8408e

Fig. 17 Instrument Panel Wiring Connectors—LHD

DESCRIPTION AND OPERATION (Continued)

80b6408f

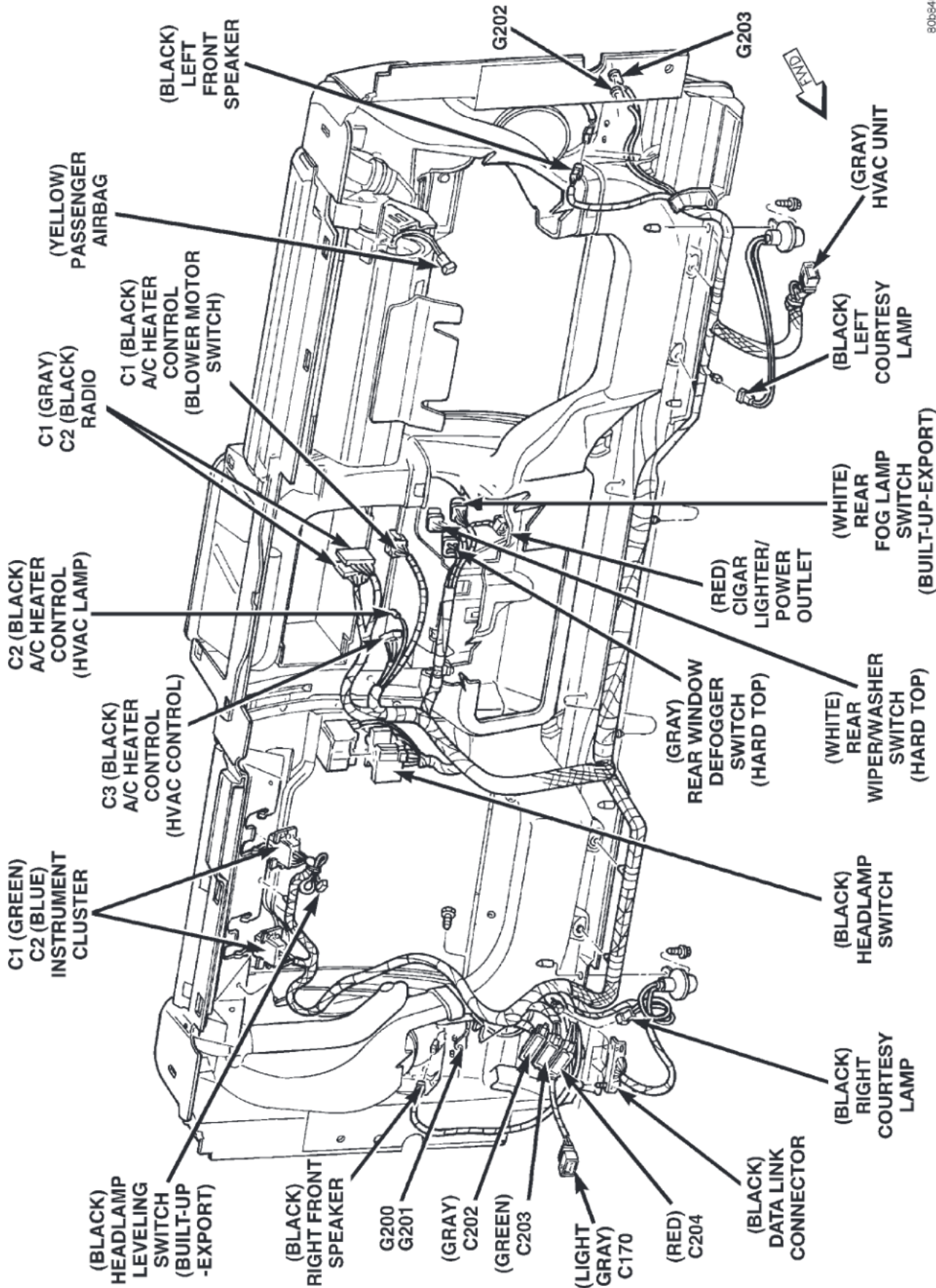
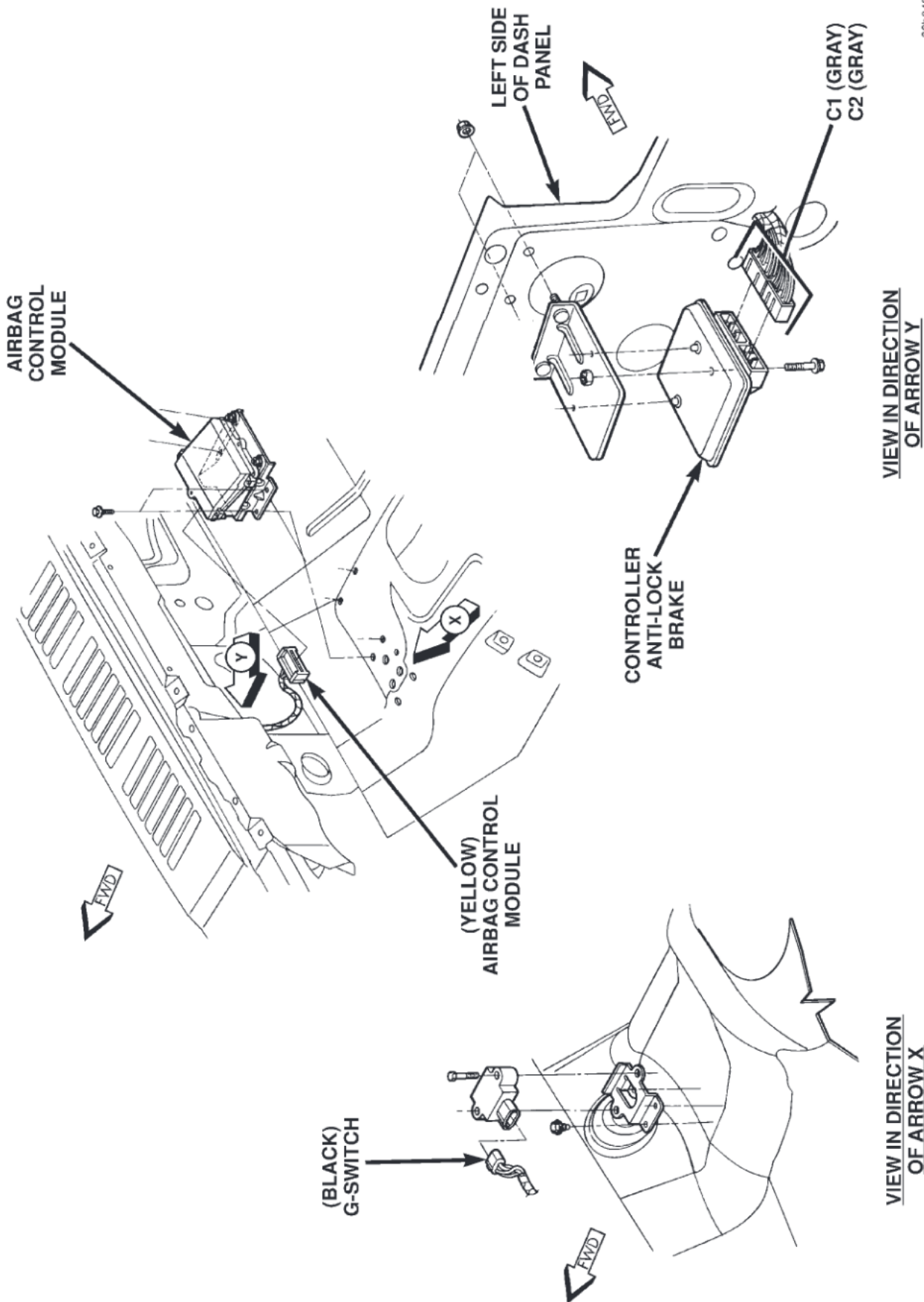


Fig. 18 Instrument Panel Wiring Connectors—RHD

DESCRIPTION AND OPERATION (Continued)



80b84090

Fig. 19 Airbag Control Module and Controller, Antilock Brakes—LHD

DESCRIPTION AND OPERATION (Continued)

80B64091

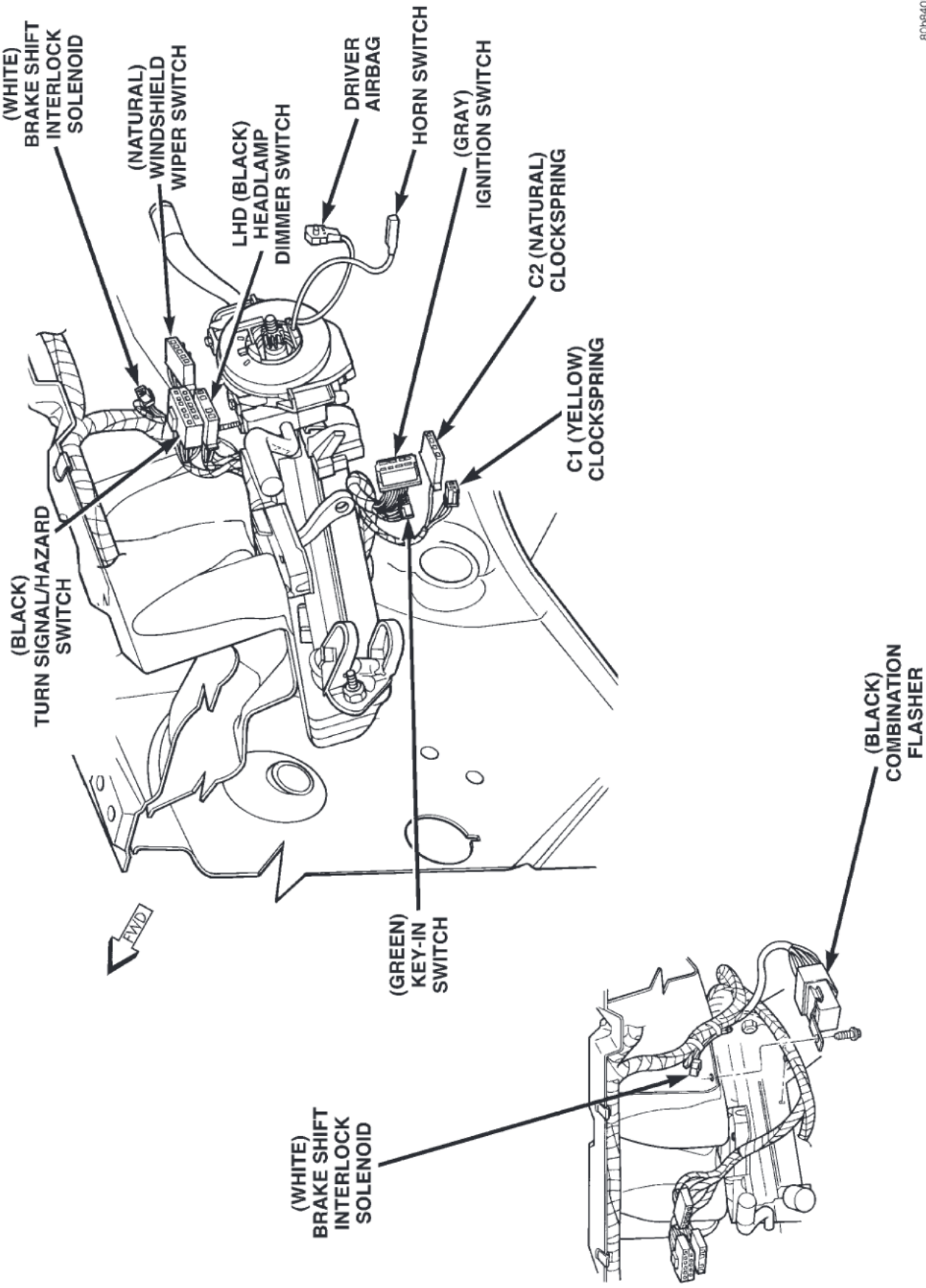
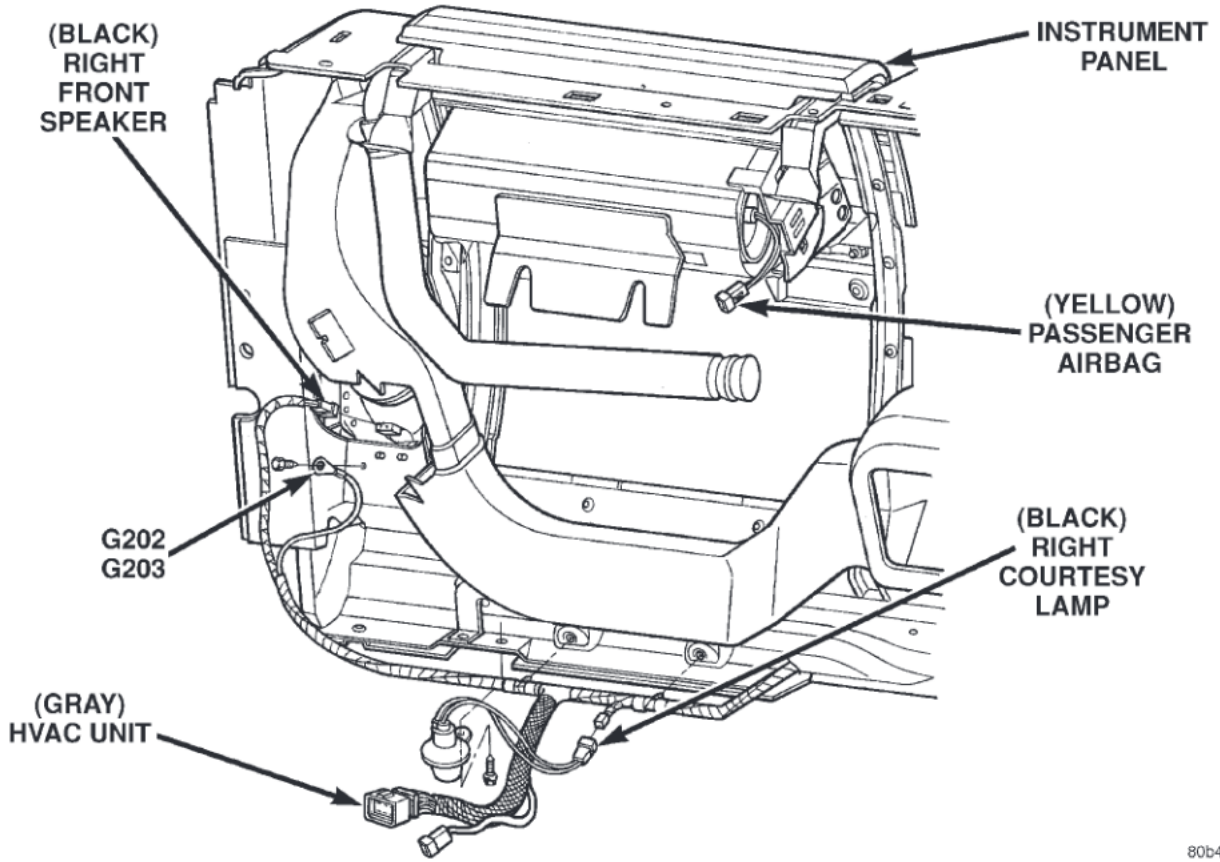


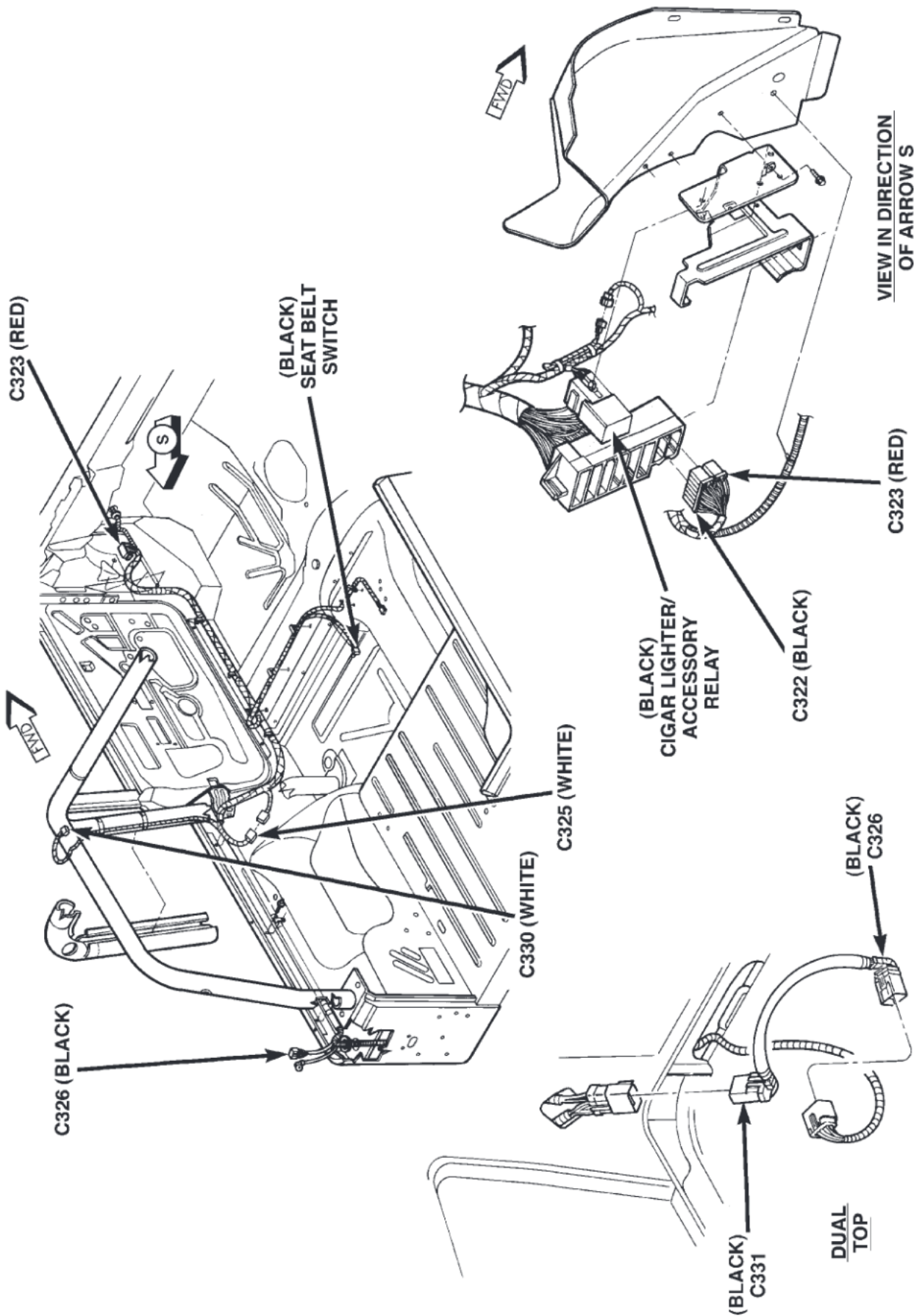
Fig. 20 Steering Column Connectors

DESCRIPTION AND OPERATION (Continued)



80b46c58

Fig. 21 Instrument Panel Connectors—Right Side, LHD



80684052

Fig. 22 Body Connectors—LHD

DESCRIPTION AND OPERATION (Continued)

80b84093

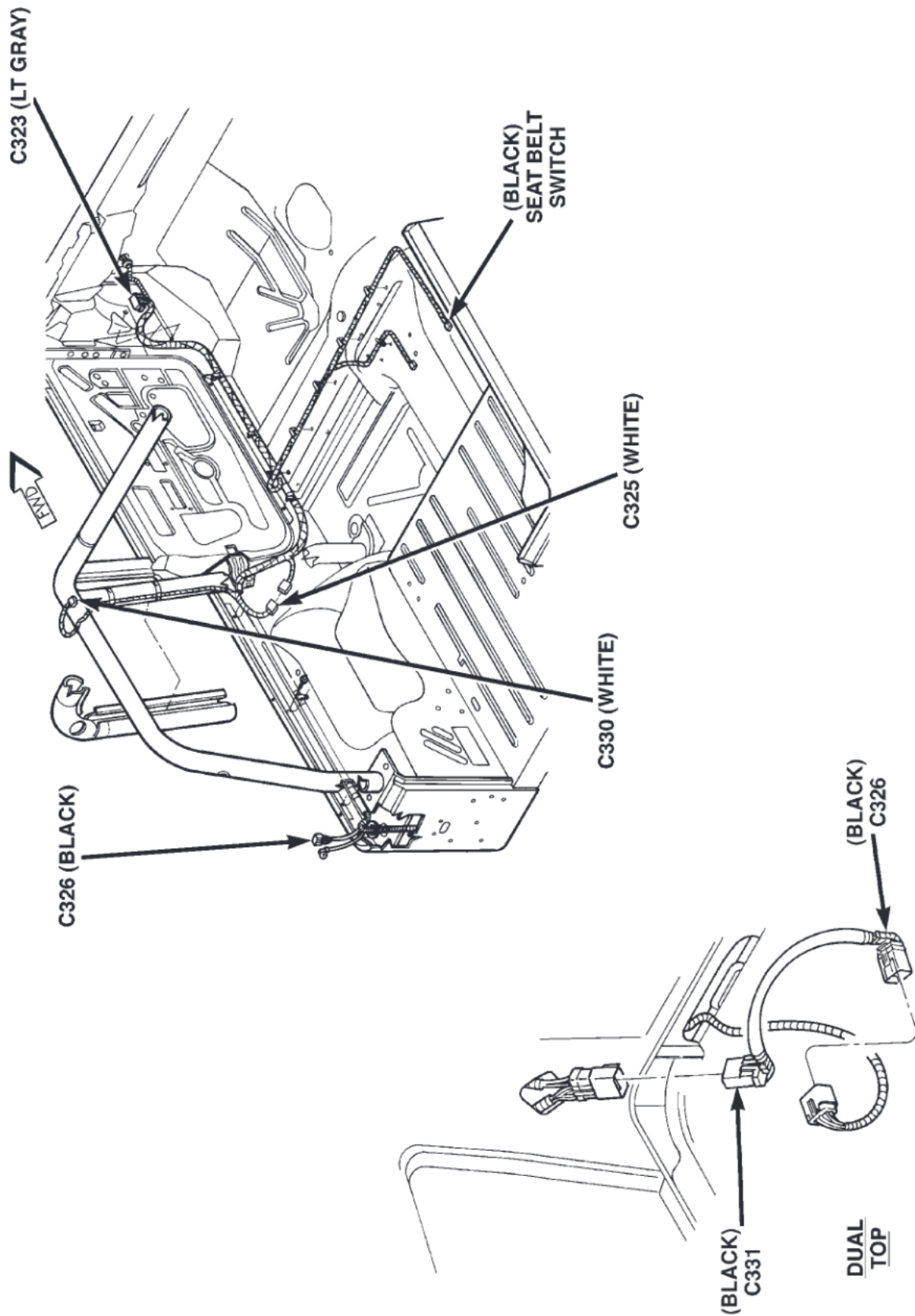
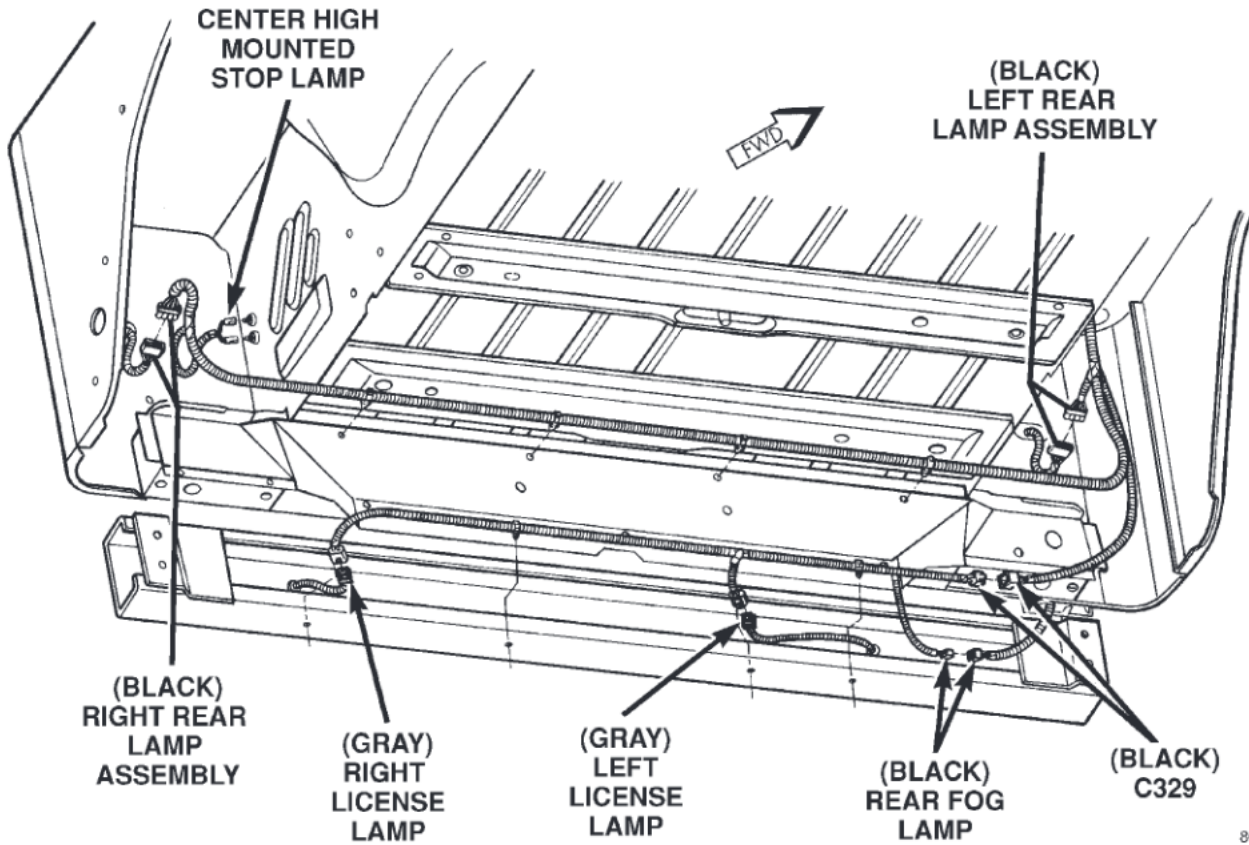


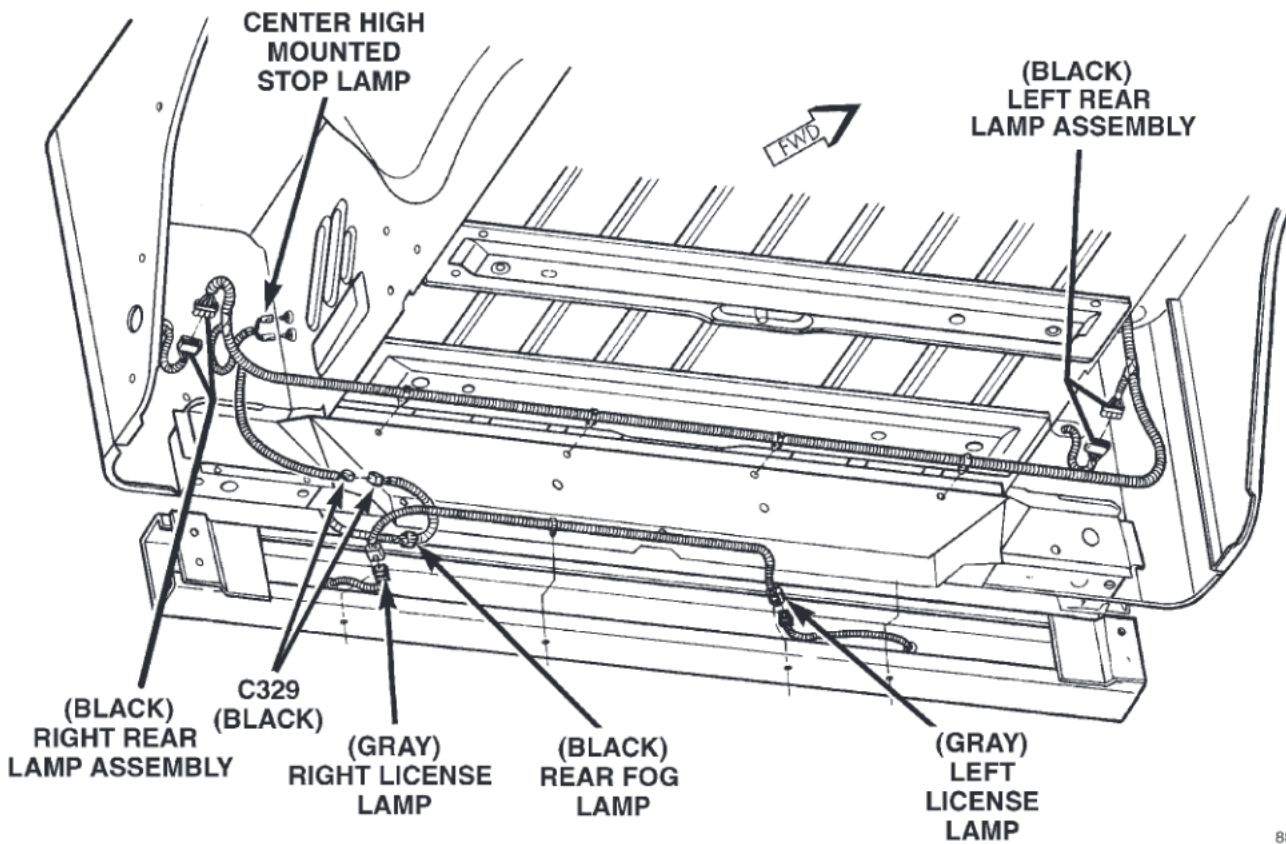
Fig. 23 Rear Body Wiring Connectors—RHD

DESCRIPTION AND OPERATION (Continued)



80b46c59

Fig. 24 Rear Under Body Wiring Connectors—LHD



80b46c5a

Fig. 25 Rear Under Body Wiring Connectors—RHD

8W-95 SPLICE LOCATIONS

DESCRIPTION AND OPERATION

INTRODUCTION

This section provides illustrations identifying the general location of the splices in this vehicle. A splice index is provided. Use the wiring diagrams in each

section for splice number identification. Refer to the index for proper splice number.

SPLICE LOCATIONS

For splices that are not shown in the figures in this section, an N/S is placed in the Fig. column.

Splice Number	Location	Fig.
S101 (LHD)	Near T/O for Powertrain Control Module	2
S101 (RHD)	Near T/O for Power Distribution Center	3
S102	Near T/O for G100	2, 3
S103 (LHD)	Near T/O for G101	2
S103 (RHD)	Near T/O for Battery Temperature Sensor	3
S104	Near T/O for C110	2
S105 (LHD)	Near Grommet on Left Side of Dash Panel	2
S105 (RHD)	Near T/O for C110	3
S106	Near T/O for Ground G100	2
S107	Near T/O for G101	2
S108 (LHD)	Near T/O for Underhood Lamp	2
S108 (RHD)	Near T/O for C110	3
S109	Near T/O for C103 and C104	2
S110	Near T/O for C103 and C104	2
S112	Near Controller Antilock Brake	2
S114	Near ABS Pump Motor T/O	2
S115 (Except Built-Up-Export)	Near T/O for Duty Cycle Evap/Purge Solenoid	1
S116 (Except Built-Up-Export)	Near T/O for High Note Horn	1
S117	Near T/O for Windshield Washer Pump Motor	1
S118	Near Left Headlamp T/O	1

Splice Number	Location	Fig.
S119	Left Side Radiator Closure Panel	1
S122 (Built-Up-Export)	Near T/O for Left Front Turn Signal Lamp At Grommet	N/S
S122 (Except Built-Up-Export)	Near T/O for Left Front Park/Turn Signal Lamp	N/S
S123 (LHD)	Near T/O for G105	6
S123 (2.5L) (RHD)	Near T/O for C103	N/S
S123 (4.0L) (RHD)	Near T/O for Fuel Injector NO. 6	7
S124 (LHD)	Near T/O for G105	6
S124 (RHD)	Near T/O for C103	N/S
S125 (Built-Up-Export)	Near T/O for Right Front Turn Signal Lamp At Grommet	N/S
S125 (Except Built-Up-Export)	Near T/O for Right Front Park/Turn Signal Lamp At Grommet	N/S
S126 (LHD)	Near T/Os for Fuel Injectors	6
S126 (2.5L) (RHD)	Near T/O for Fuel Injector NO. 4	7
S126 (4.0L) (RHD)	Near T/O for Fuel Injector NO. 6	7
S127	Near T/O for Idle Air Control Motor	4, 5

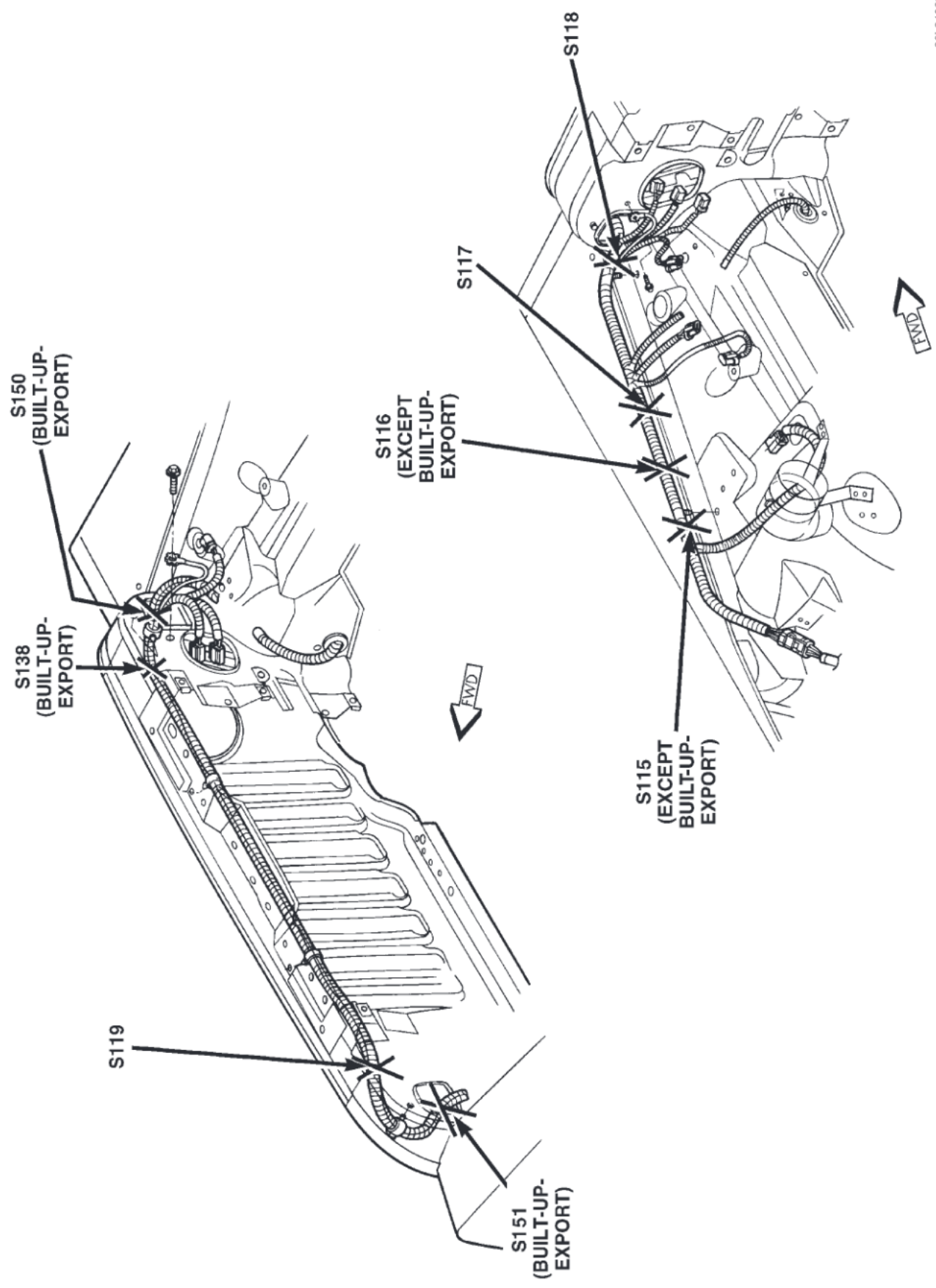
DESCRIPTION AND OPERATION (Continued)

Splice Number	Location	Fig.	Splice Number	Location	Fig.
S127 (2.5L) (RHD)	Between Fuel Injector NO. 2 and Fuel Injector NO. 3	5	S144	Near T/O for Right Front Park/Turn Signal Lamp	N/S
S128	Between Fuel Injector NO. 2 and Fuel Injector NO. 3	4, 5	S146	Near T/O for Powertrain Control Module	2
S129 (LHD)	Near T/O for Fuel Injectors	6	S147 (LHD)	Near T/O for Powertrain Control Module	2
S129 (RHD)	Near T/O for C104	7	S147 (RHD)	Right Side of Engine Compartment Near Grommet	3
S130 (LHD)	Near T/O for Fuel Injectors	6	S150 (Built-Up- Export)	Near T/O for Right Headlamp Leveling Motor	1
S130 (RHD)	Near T/O for C103	N/S	S151 (Built-Up- Export)	Near T/O for Left Headlamp Ground	1
S131 (LHD)	Near T/O for ABS Pump Motor	2	S202	Center Rear of Instrument Panel	10, 11
S131 (RHD)	Near T/O for C110	3	S204	Center Rear of Instrument Panel	10, 11
S132	Near T/O for Oxygen Sensor 1/2 Downstream	6, 7	S206	Center Rear of Instrument Panel	10, 11
S133 (LHD)	Near T/O for G105	6	S207	Near Cigar Lighter T/O	10, 11
S133 (RHD)	Near T/O For C104	7	S301 (LHD)	Near Grommeted T/O to Windshield Wiper Motor	8
S134	Near T/O for Oxygen Sensor 1/2 Downstream	6, 7	S301 (RHD)	Near T/O for Passenger Airbag	9
S135	Near T/O for Oxygen Sensor 1/2 Downstream	6, 7	S302	Near Grommeted T/O for Windshield Wiper Motor	8, 9
S136	In Battery Harness Near PDC	N/S	S303	Near Grommeted T/O for Windshield Wiper Motor	8, 9
S138 (Built-Up- Export)	Near T/O for Right Headlamp Leveling Motor	1	S304	Near Grommeted T/O for Windshield Wiper Motor	8, 9
S141 (Built-Up- Export)	Near T/O for Left Front Turn Signal Lamp	N/S	S306	Near T/O for Airbag Control Module	8, 9
S141 (Except Built-Up- Export)	Near T/O for Left Front Park/Turn Signal Lamp	N/S	S307	Near T/O for Airbag Control Module	8, 9
S142 (Built-Up- Export)	Near T/O for Right Front Turn Signal Lamp At Grommet	N/S	S309	Front of Left Rear Wheel Well	12, 13
S142 (Except Built-Up- Export)	Near T/O for Right Front Park/Turn Signal Lamp at Grommet	N/S	S310	Left Rear Quarter Panel, Near Body Grommet	12, 13
S143	Near T/O for Left Front Park/Turn Signal Lamp	N/S	S311	Near Left Tail Lamp Connector	12, 13
			S313	Front of Left Rear Wheel Well	12, 13
			S314	Front of Left Rear Wheel Well	12, 13
			S315	Near Right Tail Lamp Connetor	12, 13

DESCRIPTION AND OPERATION (Continued)

Splice Number	Location	Fig.	Splice Number	Location	Fig.
S316	In T/O for Rear Fog Lamp	12, 13	S331	Near T/O for Airbag Control Module	8, 9
S317	Near T/O for Left License Lamp	12, 13	S332	Near T/O for Cigar Lighter/Accessory Relay	8, 9
S320 (LHD)	Near T/O for 100 way Connector	8	S335	Near Left Tail Lamp Connector	12
S320 (RHD)	Near Passenger Airbag On/Off Switch	9	S400	Near T/O for Rear Window Defogger Feed	N/S
S330 (LHD)	In T/O for Fuse Block	8	S401	Near T/O for Rear Window Defogger Feed	N/S
S330 (RHD)	Near Passenger Airbag On/Off Switch	9			

DESCRIPTION AND OPERATION (Continued)



80b64068

Fig. 1 Engine Compartment Splices—Front

DESCRIPTION AND OPERATION (Continued)

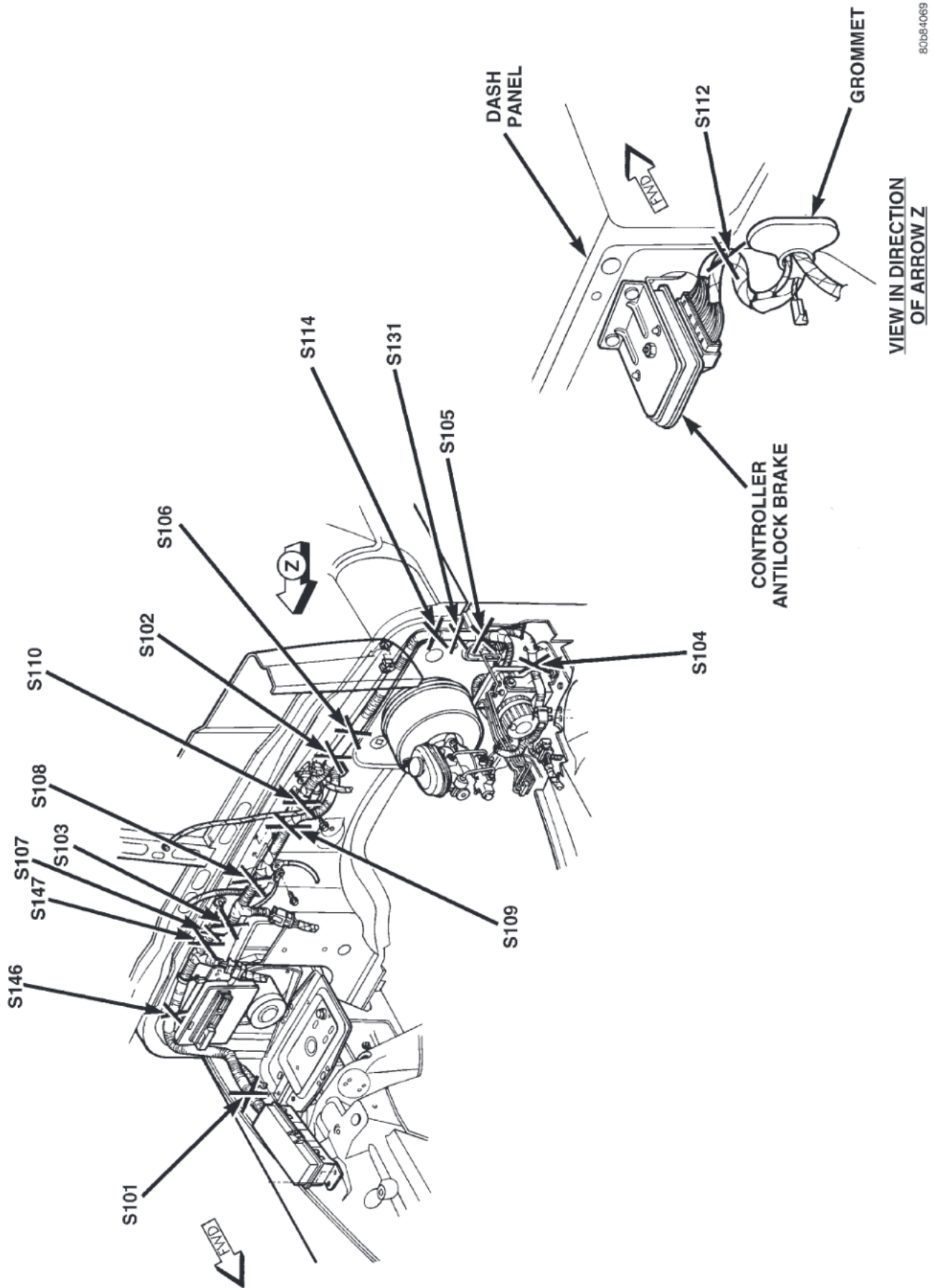


Fig. 2 Engine Compartment Splices—Rear,LHD

DESCRIPTION AND OPERATION (Continued)

80B8-406a

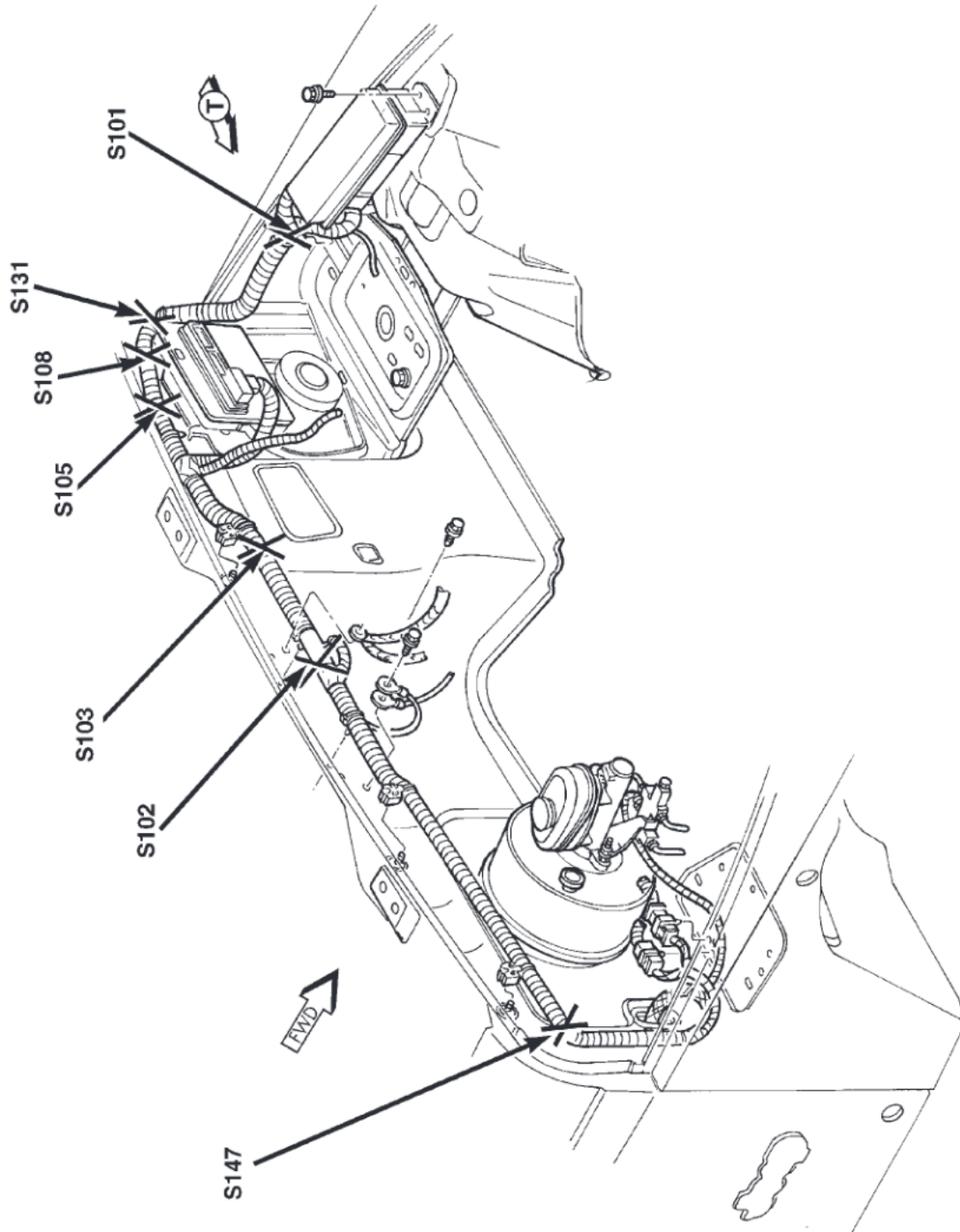


Fig. 3 Engine Compartment Splices—Rear,RHD

DESCRIPTION AND OPERATION (Continued)

80B8406b

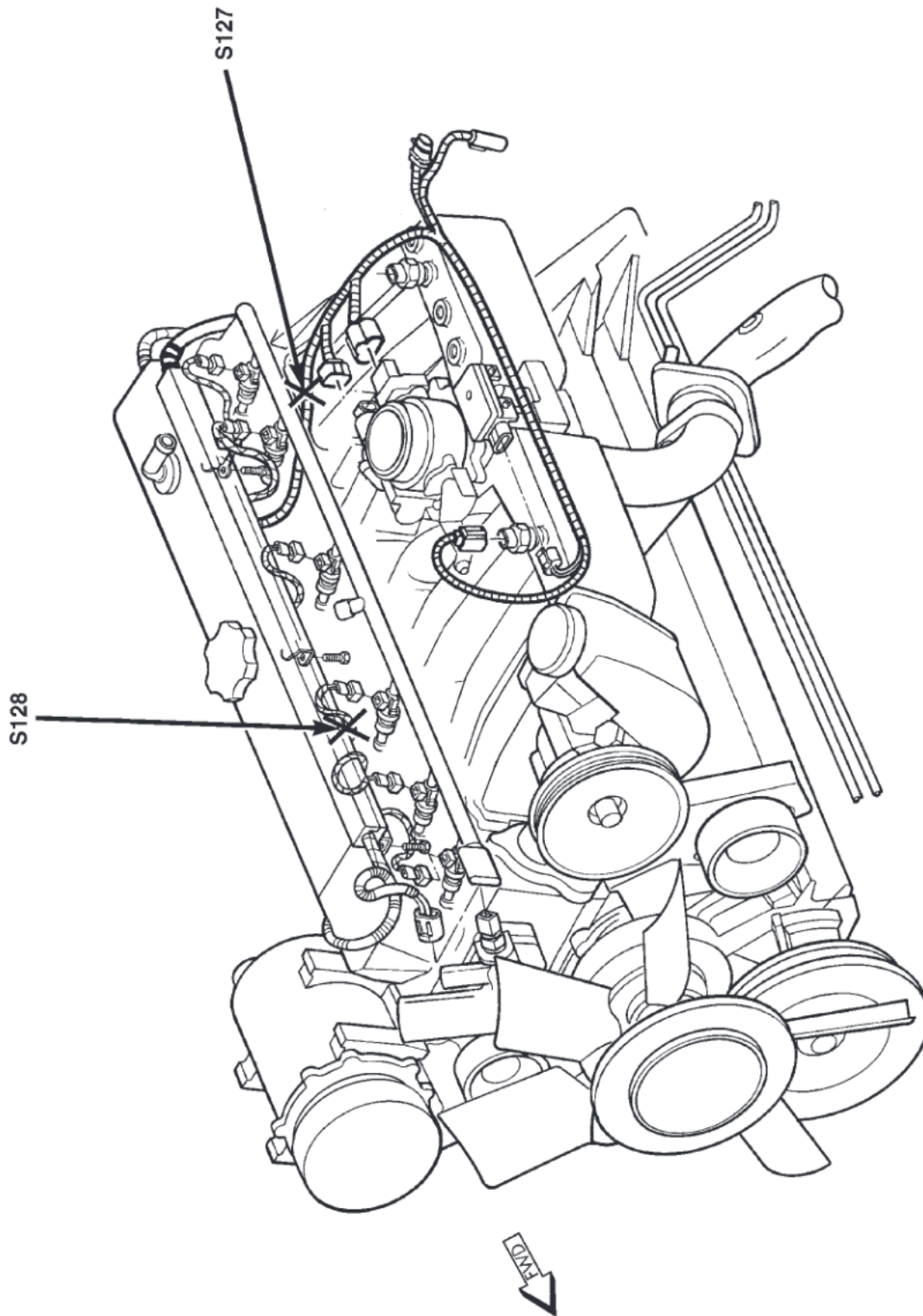


Fig. 4 Engine Wiring Splices—LHD

DESCRIPTION AND OPERATION (Continued)

80B8406c

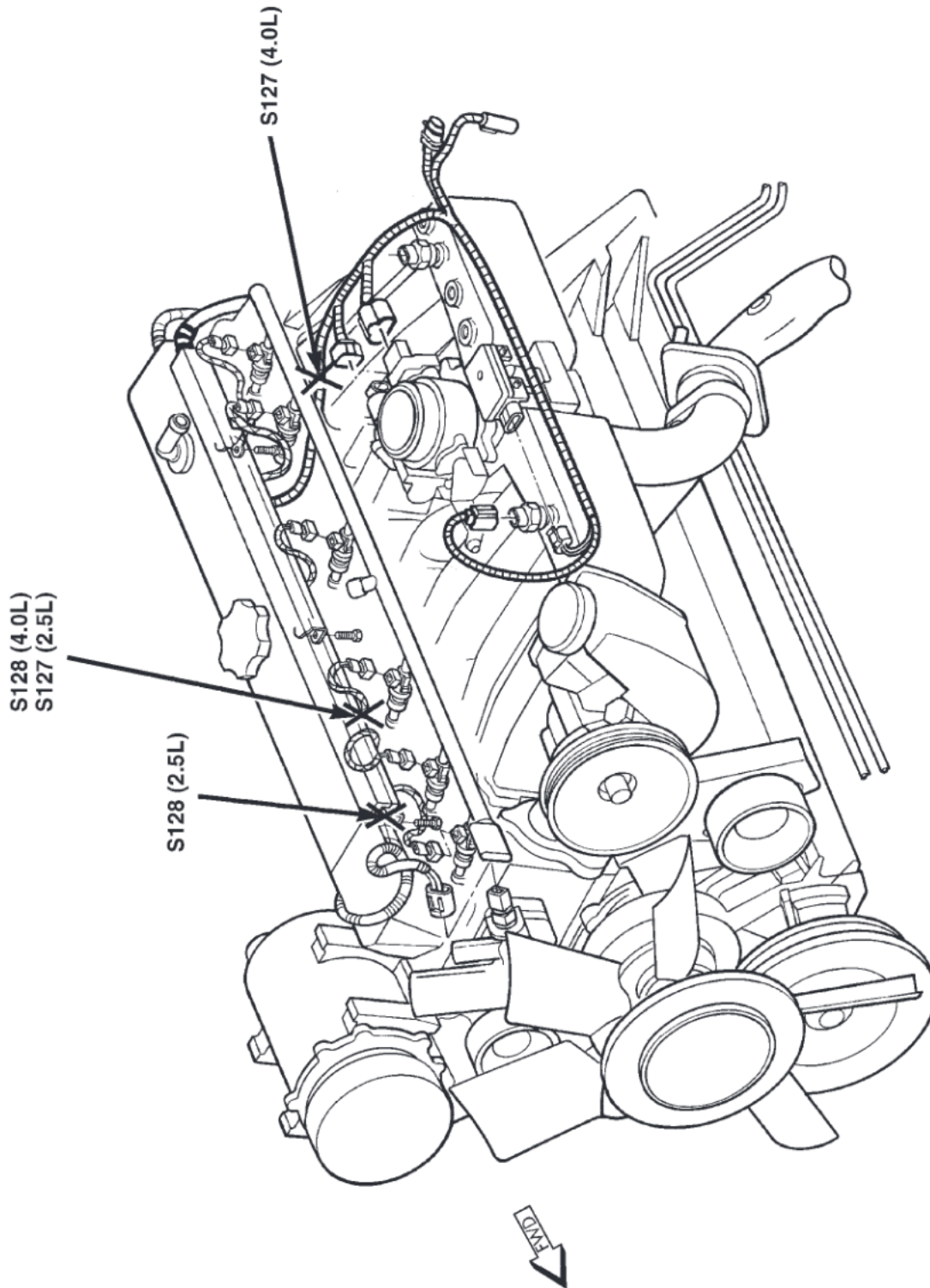


Fig. 5 Engine Wiring Splices—RHD

DESCRIPTION AND OPERATION (Continued)

6069406d

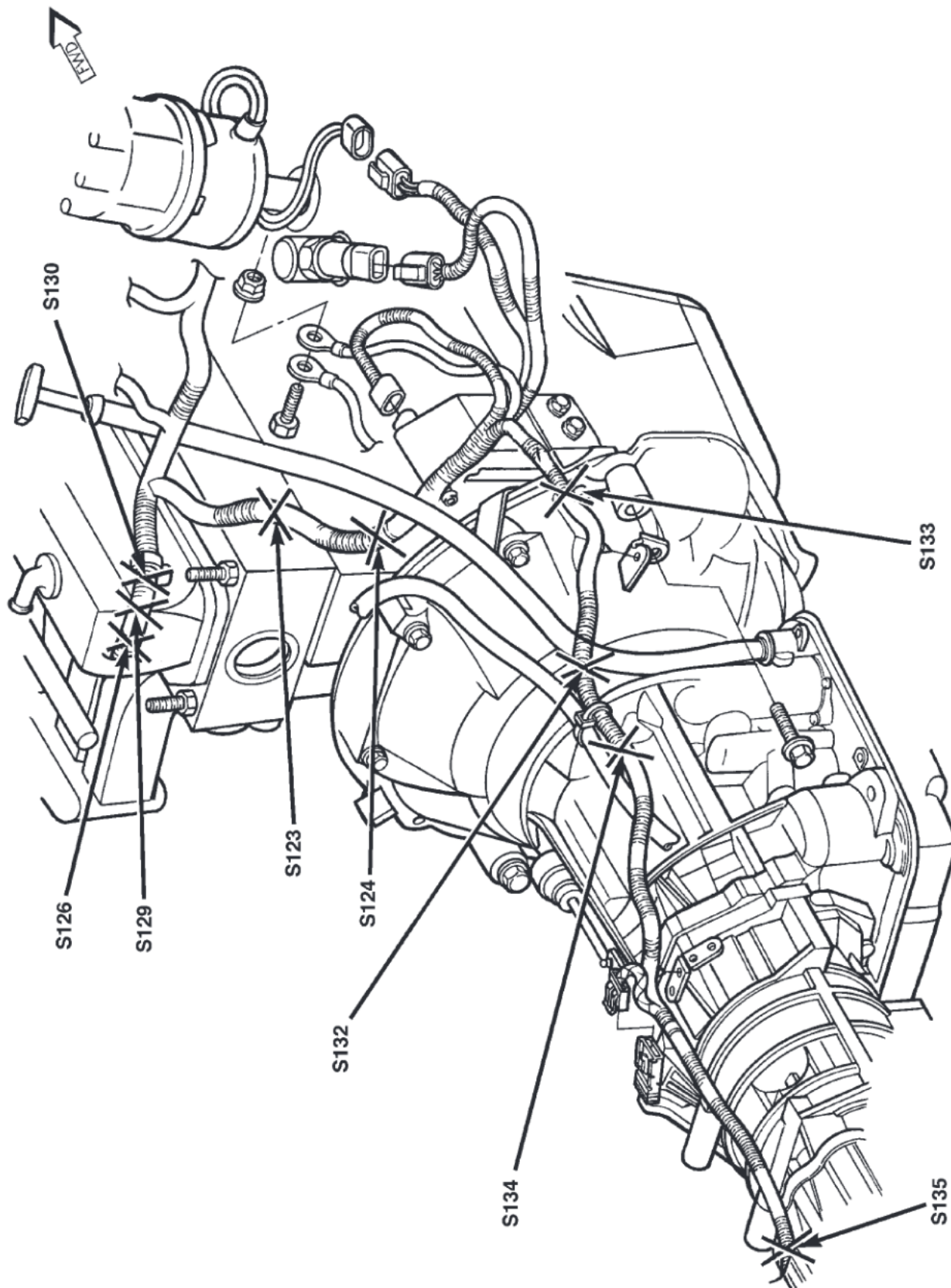


Fig. 6 Engine Wiring Splices—LHD

DESCRIPTION AND OPERATION (Continued)

80b8406e

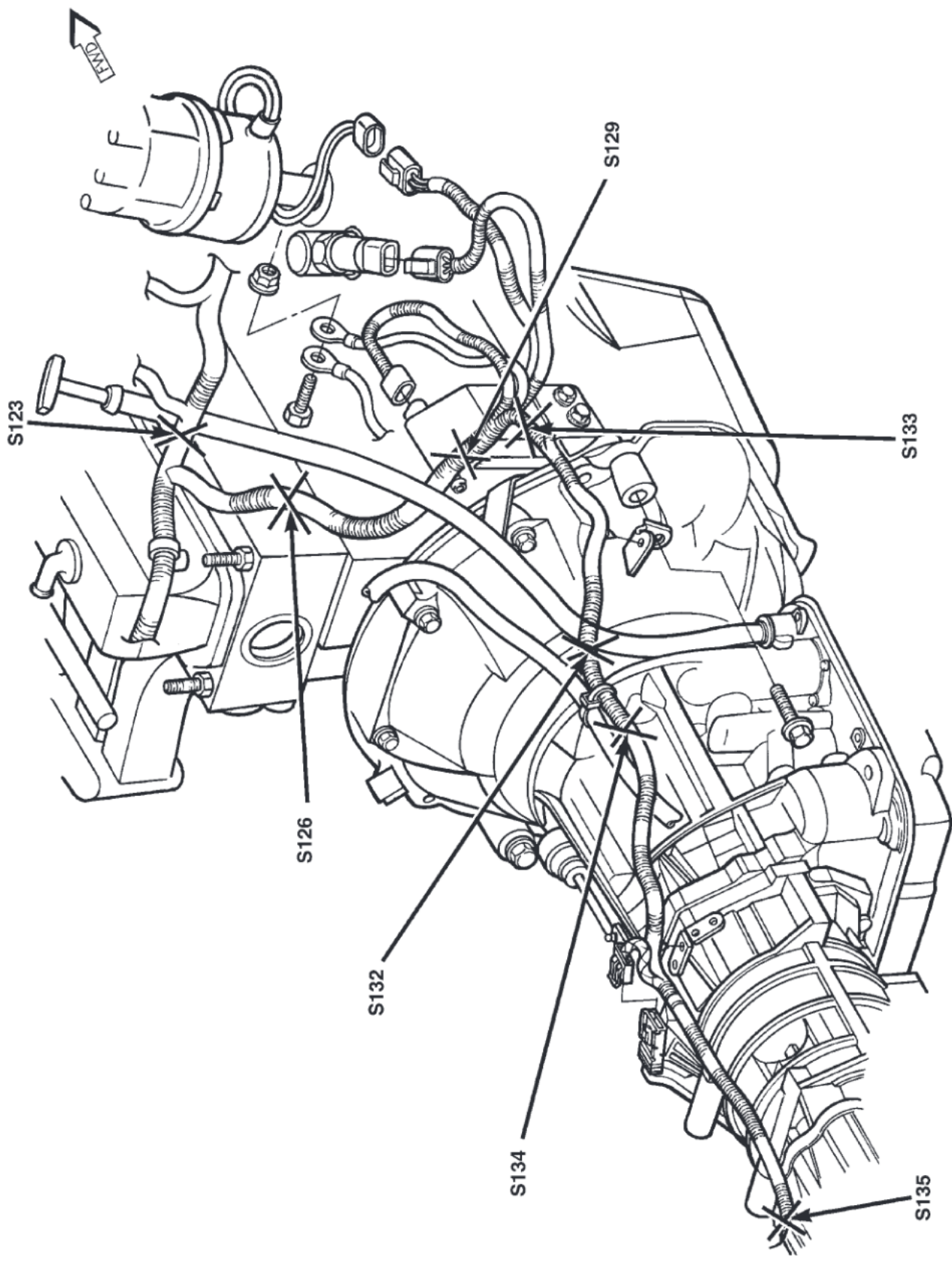
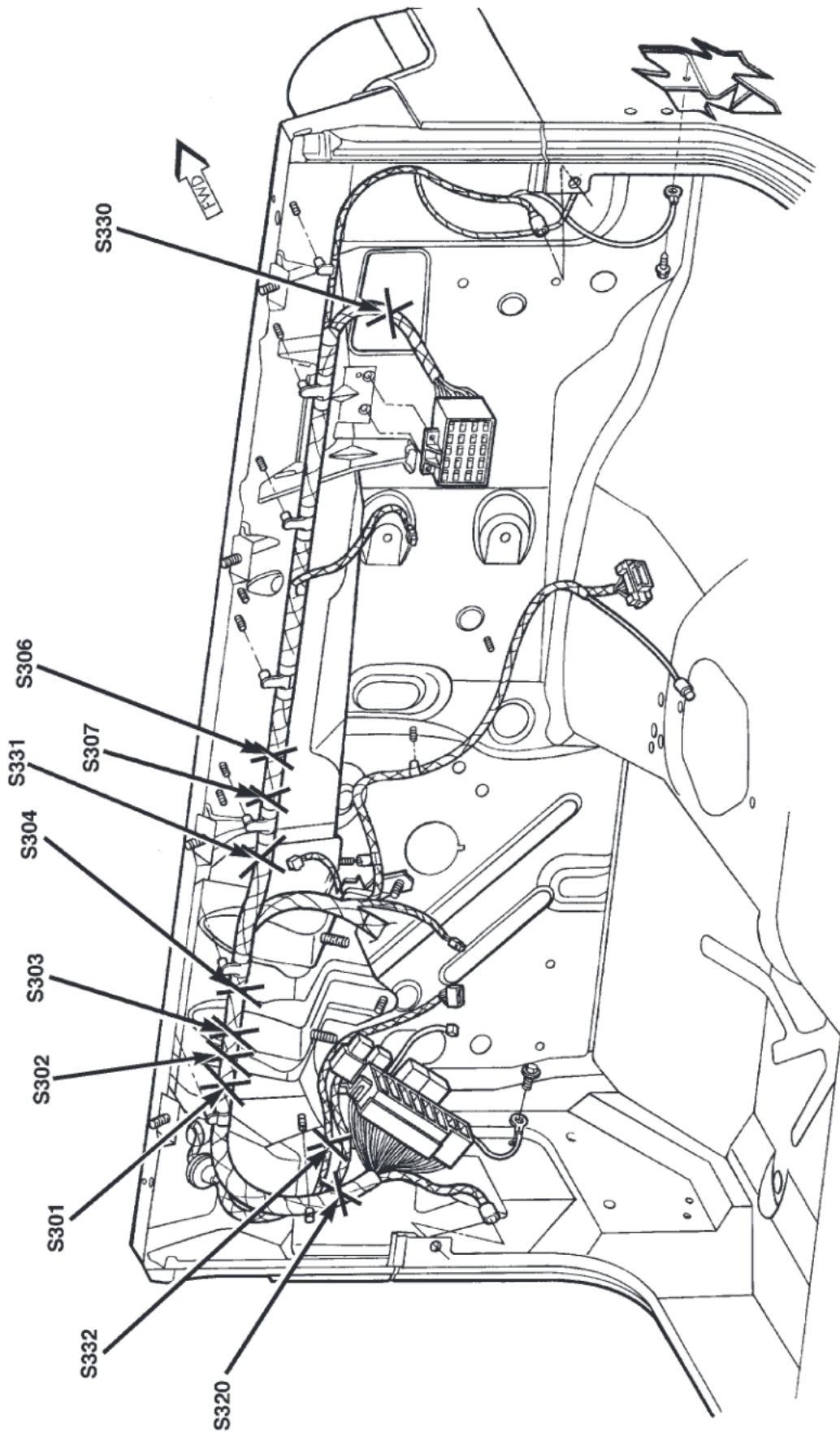


Fig. 7 Engine Wiring Splices—RHD

DESCRIPTION AND OPERATION (Continued)



80b64061

Fig. 8 Dash Panel Wiring Splices—LHD

DESCRIPTION AND OPERATION (Continued)

60084070

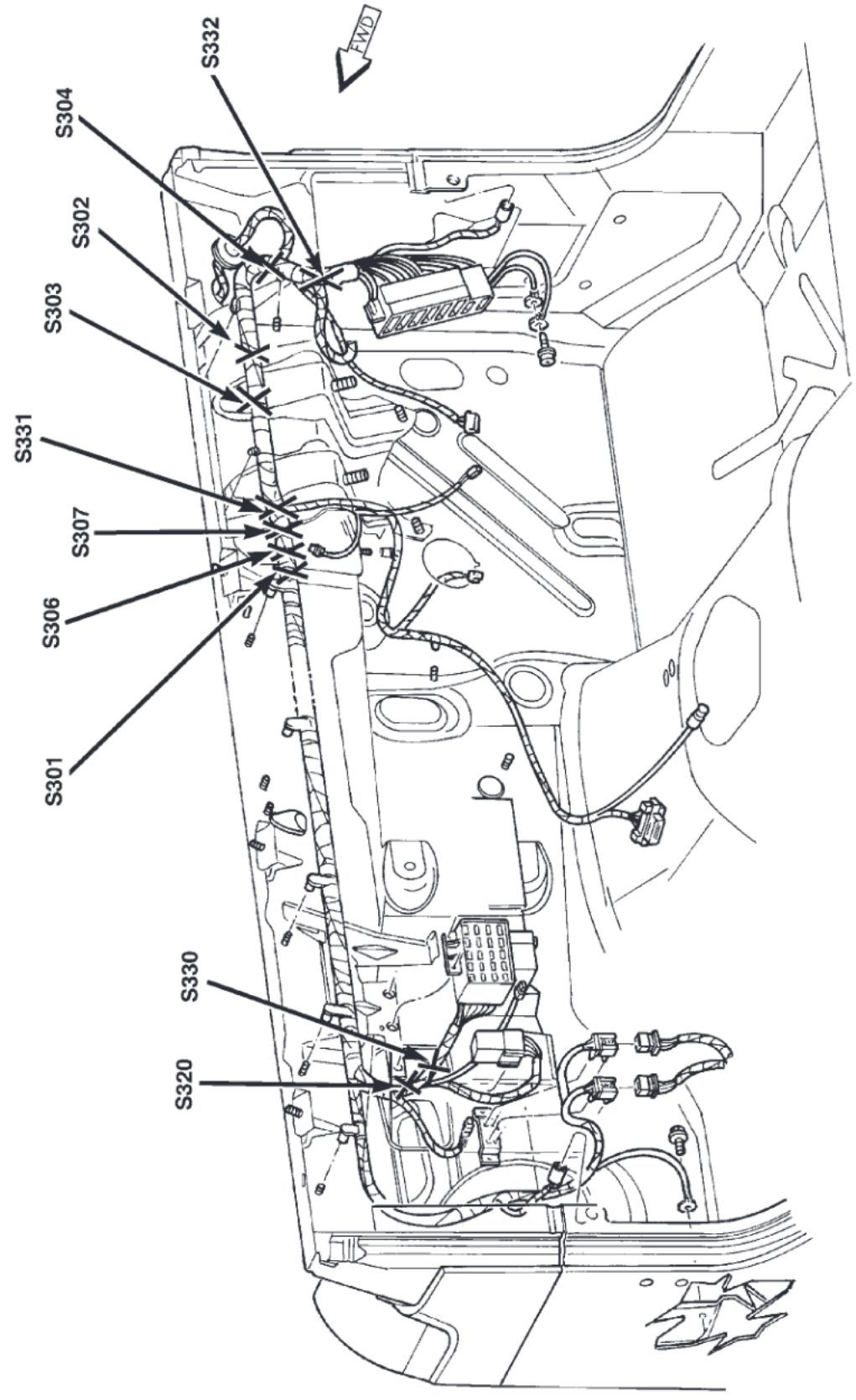


Fig. 9 Dash Panel Wiring Splices—RHD

80b84071

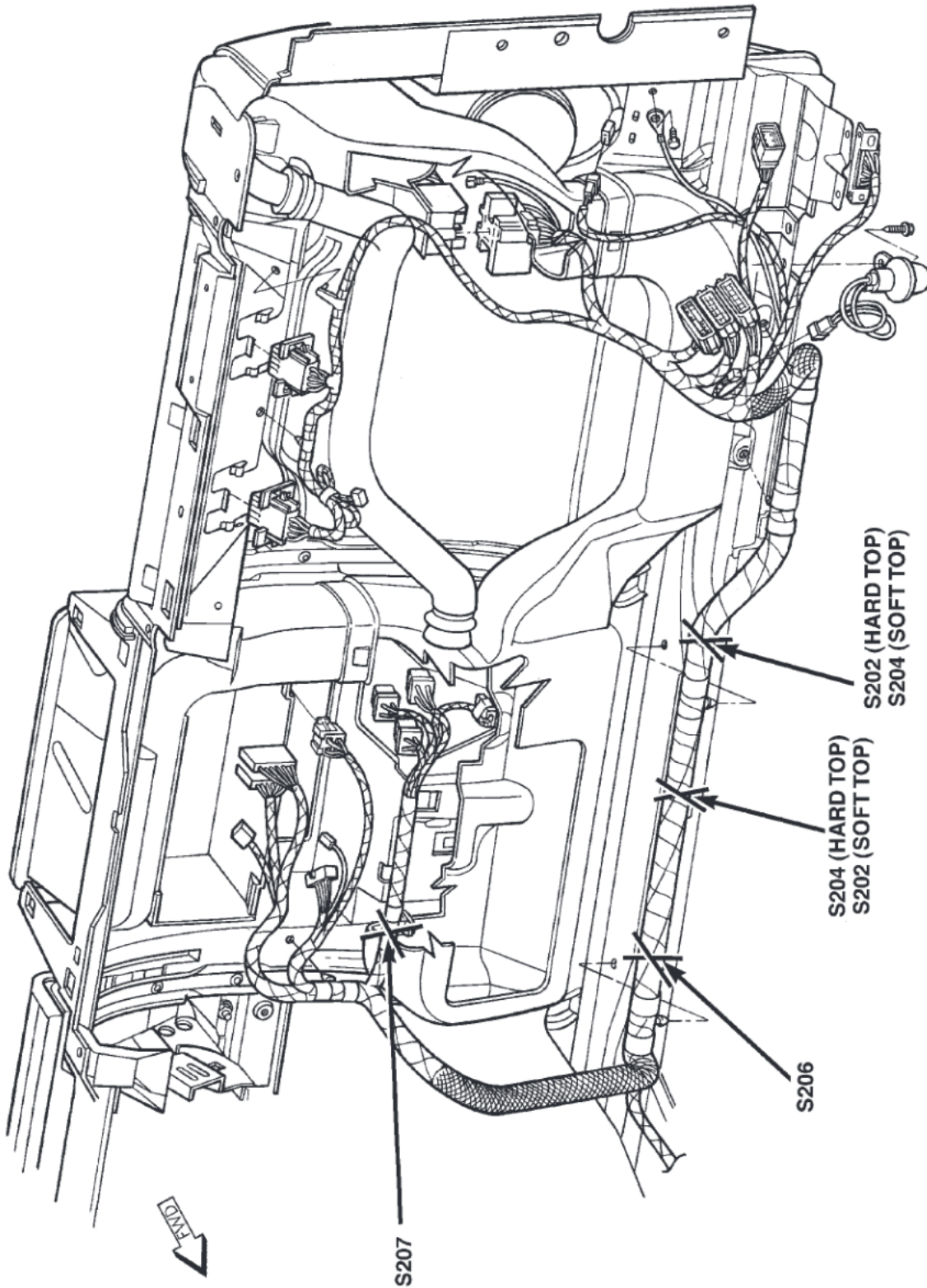


Fig. 10 Instrument Panel Wiring Splices—LHD

DESCRIPTION AND OPERATION (Continued)

80b84072

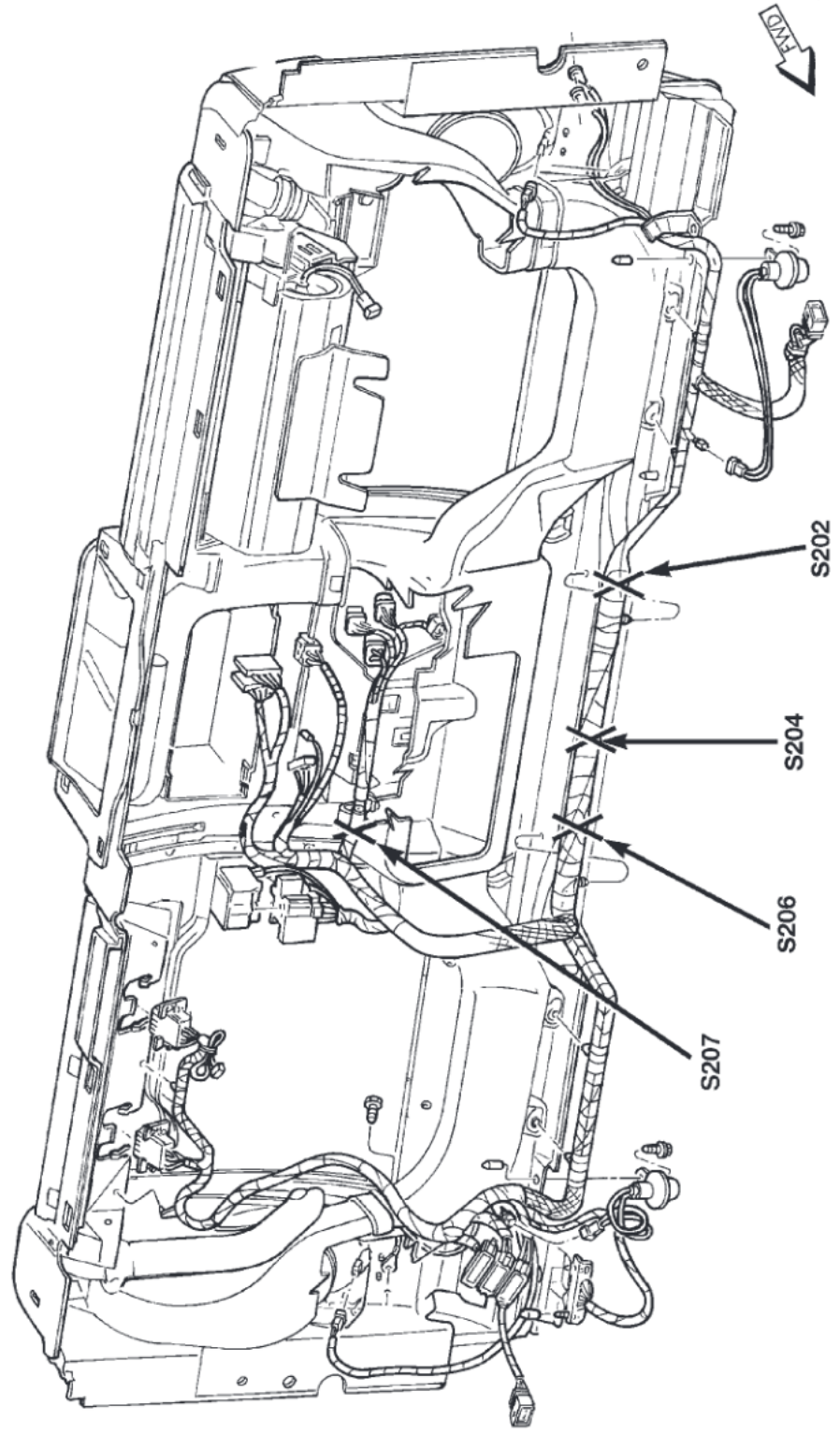
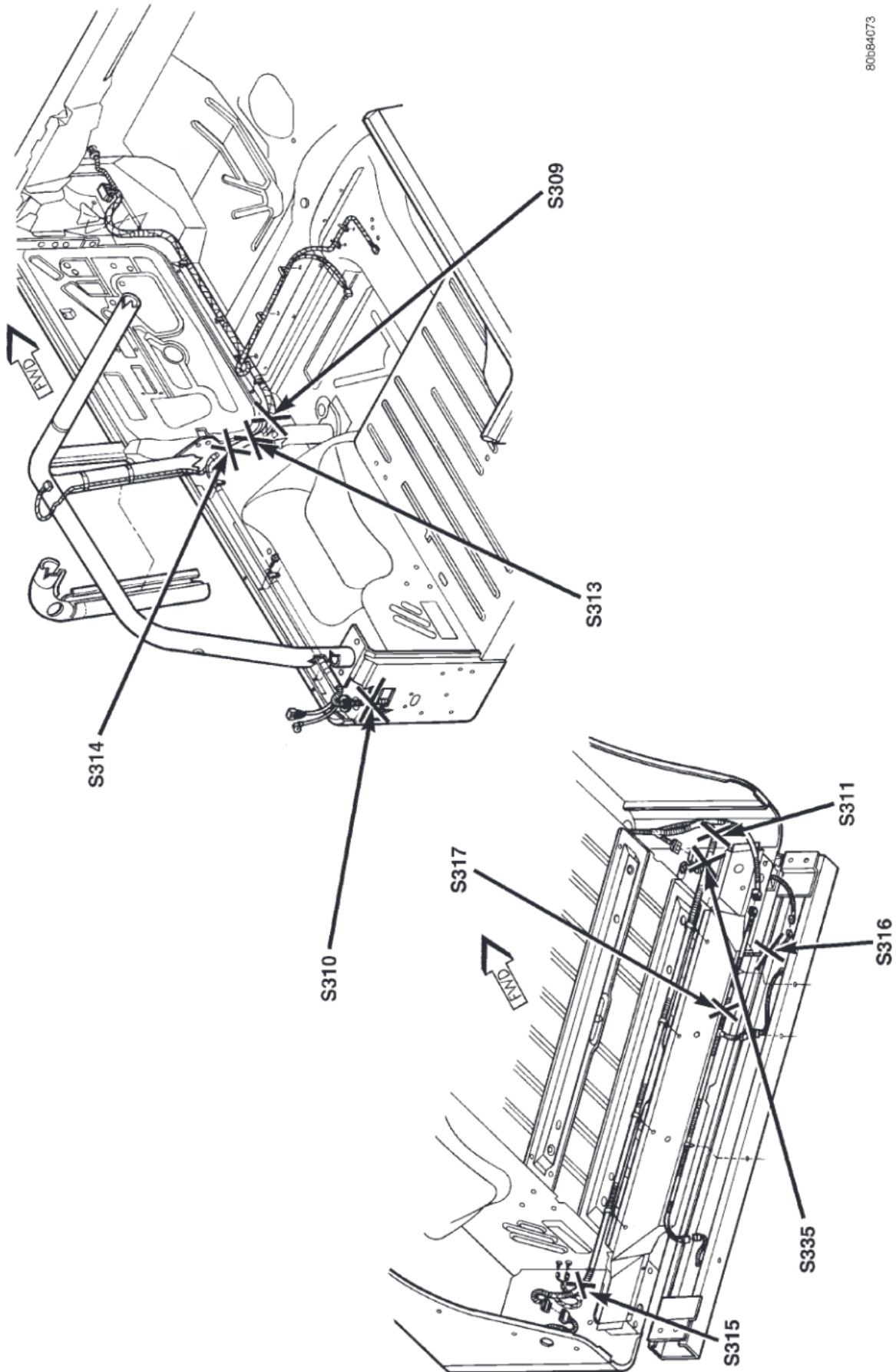


Fig. 11 Instrument Panel Wiring Splices—RHD

DESCRIPTION AND OPERATION (Continued)



80084073

Fig. 12 Body Wiring Splices—LHD

DESCRIPTION AND OPERATION (Continued)

80b64c74

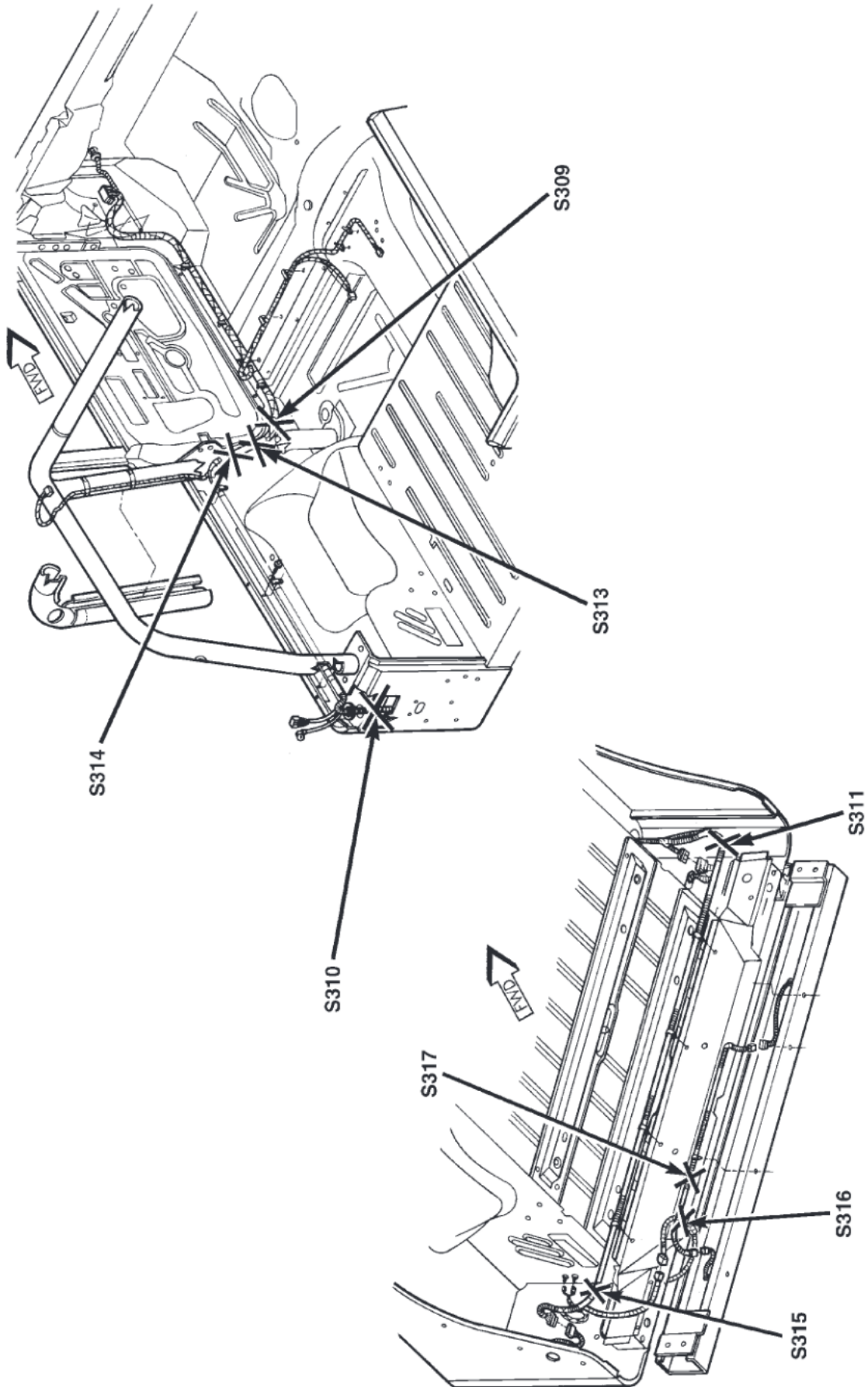


Fig. 13 Body Wiring Splices—RHD